

Contents

Z-0030 Introduction

Location diagram

- Z-0060 Location diagram 1 Basic
- Z-0061 Location diagram 2 Basic
- Z-0062 Location diagram 3 Basic
- Z-0063 Location diagram 4 Basic
- Z-0064 Location diagram 5 Basic / Fax
- Z-0065 Location diagram 6 RDF
- Z-0066 Location diagram 7 Cassettes
- Z-0067 Location diagram 8 Delivery tray
- Z-0068 Location diagram 9 Sorter / Stapler
- Z-0069 Location diagram 10 Stapler/Sorter-E

01. OPC

Z-0100 Drum cartridge

04. Exposure

- Z-0400 Lens mount assy 1
- Z-0403 Lens mount assy 2
- Z-0405 Mirror assy 1
- Z-0410 Mirror assy 2
- Z-0415 Laser assy
- Z-0420 Intensity sensor PBA assy

05. Developing

Z-0500 Developing assy

06. Transfer

Z-0600 Transfer roller unit

08. Image processing

- Z-0800 Image processing PBA assy
- Z-0805 Core image processor PBA

10. RDF / RADF

- Z-1000 Mounting hardware
- Z-1005 Panels external covers
- Z-1010 Document tray assy
- Z-1015 Upper cover assy
- Z-1020 RF assy 1
- Z-1023 RF assy 2
- Z-1026 RF assy 3
- Z-1029 RF assy 4
- Z-1040 DF assy
- Z-1045 Paper feed motor assy
- Z-1050 Belt drive motor assy
- Z-1055 Right paper delivery assy
- Z-1060 Upper paper guide assy

Z-1065 Lower paper guide assy
Z-1070 Separation roller assy
Z-1075 Paper separation assy

11. Digital document handling

Z-1100 Fax assy
Z-1105 Fax board PBA
Z-1110 Board case assy
Z-1115 SCSI board PBA assy

12. Papertrays

Z-1200 Cassette
Z-1205 Paper pick-up assy, up to 3121.03000
Z-1207 Paper pick-up assy, from 3121.03000
and for 3122 (FIGURE 1 OF 2)
Z-1207 Paper pick-up assy, from 3121.03000
and for 3122 (FIGURE 2 OF 2)
Z-1210 Feeder assy
Z-1215 Regist. front guide assy
Z-1250 Panels external covers
Z-1255 Machine internal components 1
Z-1260 Machine internal components 2
Z-1265 Machine internal components 3
Z-1270 Right door assy
Z-1275 Main drive assy
Z-1280 Cassette
Z-1285 Vertical path assy
Z-1290 Paper pick-up assy

Z-1295 Interface cable

13. Special input

Z-1300 Right door assy
Z-1305 Multi feeder tray assy

16. Duplex

Z-1600 Lower paper feed assy
Z-1605 Lower feed inlet assy 1
Z-1610 Lower feed inlet assy 2

17. Fuser

Z-1700 Fixing assy
Z-1705 Fixing heater driver PBA assy

19. CRU

Z-1900 Delivery assy 1
Z-1903 Delivery assy 2
Z-1950 Panels external cover
Z-1955 Offset assy
Z-1960 Feeder assy
Z-1965 Delivery assy 1
Z-1968 Delivery assy 2

21. Sorter stapler

Z-2100 Mounting hardware 1
Z-2103 Mounting hardware 2

Contents

- Z-2110 Internal components 1
- Z-2113 Internal components 2
- Z-2116 Internal components 3
- Z-2120 Offset assy
- Z-2125 Right door assy
- Z-2130 Upper paper guide assy
- Z-2135 Sorter assy 1
- Z-2138 Sorter assy 2
- Z-2140 Sorter front drive assy
- Z-2145 Sorter rear drive assy
- Z-2150 Bin assy
- Z-2155 Paper guide assy
- Z-2160 Stapler assy
- Z-2165 Slide assy

21. Stapler sorter-E

- Z-2175 Mounting hardware
- Z-2181 External covers / panels
- Z-2183 Internal components 1
- Z-2183 Internal components
- Z-2185 Bin assy
- Z-2187 Drive assy
- Z-2189 Feeder drive assy
- Z-2191 Feeder guide assy
- Z-2193 Stapler assy
- Z-2195 Sorter controller PCB assembly

22. Power and control

- Z-2200 Control panel assy
- Z-2210 Counter assy
- Z-2220 Power cord terminal assy
- Z-2230 Exhaust fan assy
- Z-2240 Laser cooling fan assy
- Z-2250 DC Power supply PBA
- Z-2260 Control panel CPU PBA
- Z-2270 DC Controller PBA

23. Drive

- Z-2300 Main drive assy
- Z-2305 Fixing drive assy

24. Accessories

- Z-2450 Console Océ 3121-3122

25. Customer / environment / material / installation

- Z-2500 External covers / panels
- Z-2503 Copyboard cover assy
- Z-2505 Machine front plate
- Z-2510 Internal components 1

Z-2515 Internal components 2
Z-2520 Machine rear plate
Z-2575 Tools / CAS-C Cards
Z-2580 Vacuum cleaner
Z-2590 Language infosets

List of Connectors

Z-9010 List of connector 1 Basic
Z-9010 List of connectors 2 Basic
Z-9010 List of connectors 3 Basic
Z-9010 List of connectors 4 RDF-RADF
Z-9010 List of connectors 5 Stapler Sorter-E

Z-0030 Introduction

GROUPS:

- An illustration (exploded view) and a list of which the indexes refer to the illustration, subdivided in:

INDEX:

- The indexnumber refers to the shown parts in the illustration. Indexnumbers that are placed on the right, occur in the illustration. Indexnumbers that are placed on the left, do not occur in the illustration.
- The characters A through K (except I) behind the indexnumber indicate the item as a replaced part.
- The characters L through Z (except O) are additional and can be seen as a normal indexnumber.

- SP. P.:

- Parts marked with “●” are preferred spare parts. For these parts the Venlo Logistic Department is organised to assure a short delivery time.
- Not marked parts will normally require a longer delivery time.

- PART NO.:

- The partnumber of the concerning part.

- DESCRIPTION

- The description of the concerning part.
- Description prefaced with “-” is a part of the preceding assy part of group.
- Description prefaced with “- -” is a part of the preceding assy part.
- Description prefaced with “- - -” is a part of the preceding assy part.

- QTY ASSY:

- In this or these column(s) the quantity of the concerning part is indicated.

- GROUPNUMBER, EDITION AND DATE:

- At the bottom of the concerning group the groupnumber, edition and date are mentioned; these are the same in the illustration and in the list. The pagenummering is also mentioned.

TOOLS:

- All special tools like jigs, testcharts, logbooks, etc. needed by technicians to service the machine are taken up in this list (Z-2575).

LANGUAGE INFO SETS:

- All concerning language info sets are taken up in this list (Z-2590).

ORDERING PARTS:

- When ordering parts state the following data:
 - - type of the machine (Océ 3121-3122)
 - - partnumber
 - - description and quantity of the desired part.

Location diagram

Z-0060 Location diagram 1 Basic

[see "Z-0500 Developing assy"](#)

[see "Z-2503 Copyboard cover assy"](#)

[see "Z-0100 Drum cartridge"](#)

[see "Z-1305 Multi feeder tray assy"](#)

[see "Z-2230 Exhaust fan assy"](#)

[see "Z-1300 Right door assy"](#)

[see "Z-1700 Fixing assy"](#)

[see "Z-1215 Regist. front guide assy"](#)

[see "Z-1610 Lower feed inlet assy 2"](#)

[see "Z-2210 Counter assy"](#)

[see "Z-1605 Lower feed inlet assy 1"](#)

[see "Z-1600 Lower paper feed assy"](#)

[see "Z-1210 Feeder assy"](#)

Z-0061 Location diagram 2 Basic

[see "Z-0405 Mirror assy 1"](#)

[see "Z-0410 Mirror assy 2"](#)

[see "Z-0415 Laser assy"](#)

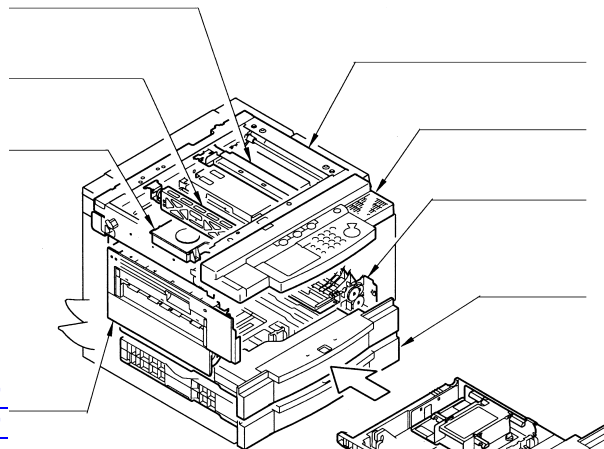
[see "Z-1900 Delivery assy 1"](#)
[see "Z-1903 Delivery assy 2"](#)

[see "Z-2240 Laser cooling fan assy"](#)

[see "Z-2300 Main drive assy"](#)

[see "Z-2220 Power cord terminal assy"](#)

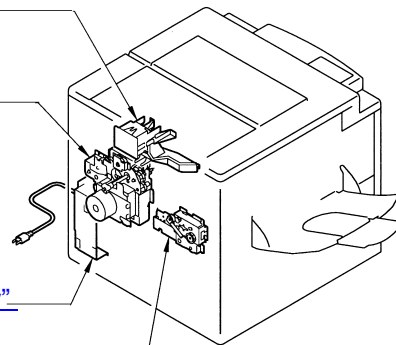
[see "Z-2305 Fixing drive assy"](#)



[see "Z-0400 Lens mount assy 1"](#)
[see "Z-0403 Lens mount assy 2"](#)

[see "Z-2200 Control panel assy"](#)
[see "Z-1205 Paper pick-up assy. up to 3121.03000"](#)
[see "Z-1207 Paper pick-up assy. from 3121.03000 and for 3122"](#)
[see "Z-1200 Cassette"](#)

[see "Z-1200 Cassette"](#)



Z-0062 Location diagram 3 Basic

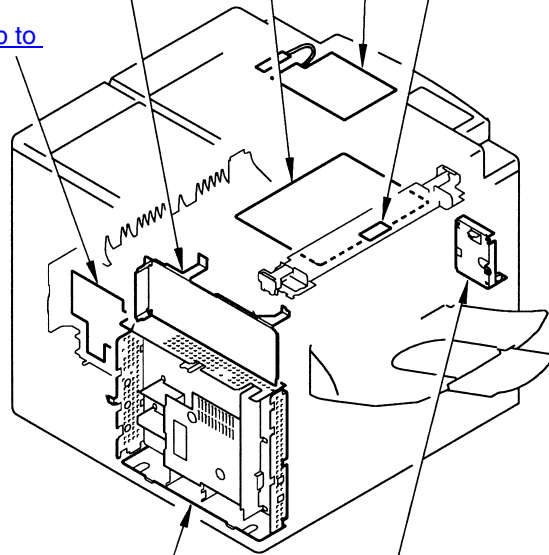
[see "Z-0800 Image processing PBA assy"](#)

[see "Z-2260 Control panel CPU PBA"](#)

[see "Z-2270 DC Controller PBA"](#)

[see "Z-0420 Intensity sensor PBA assy"](#)

[see "Z-1205 Paper pick-up assy. up to](#)



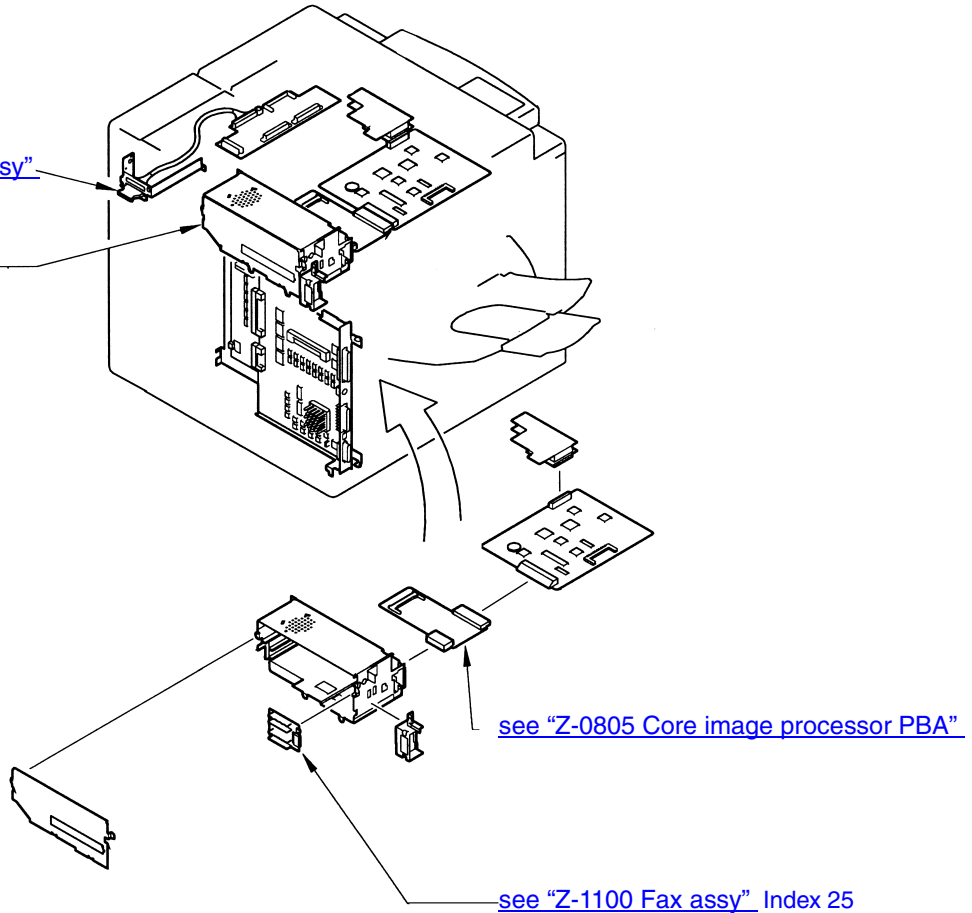
[see "Z-1705 Fixing heater driver PBA assy"](#)

[see "Z-2250 DC Power supply PBA"](#)

Z-0063 Location diagram 4 Basic

[see "Z-1115 SCSI board PBA assy"](#)

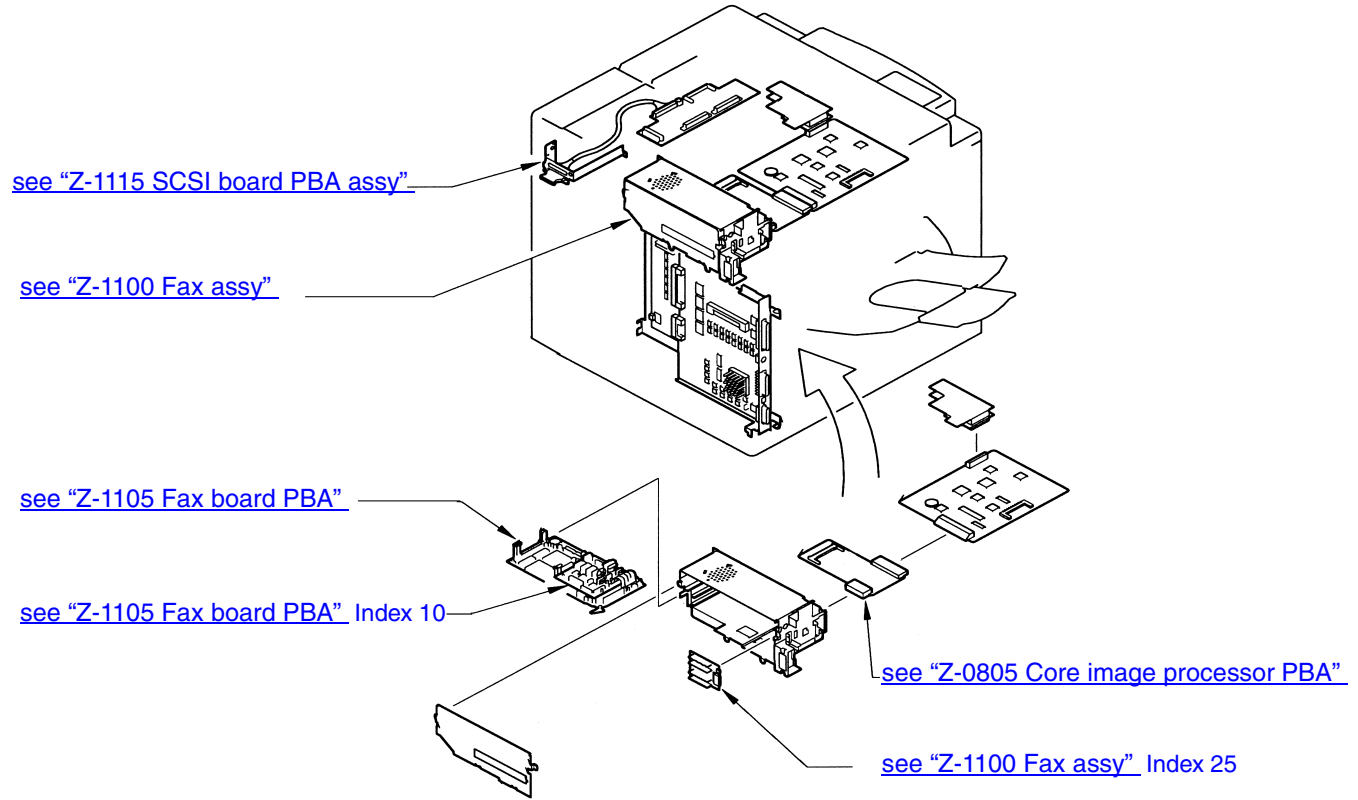
[see "Z-1110 Board case assy"](#)



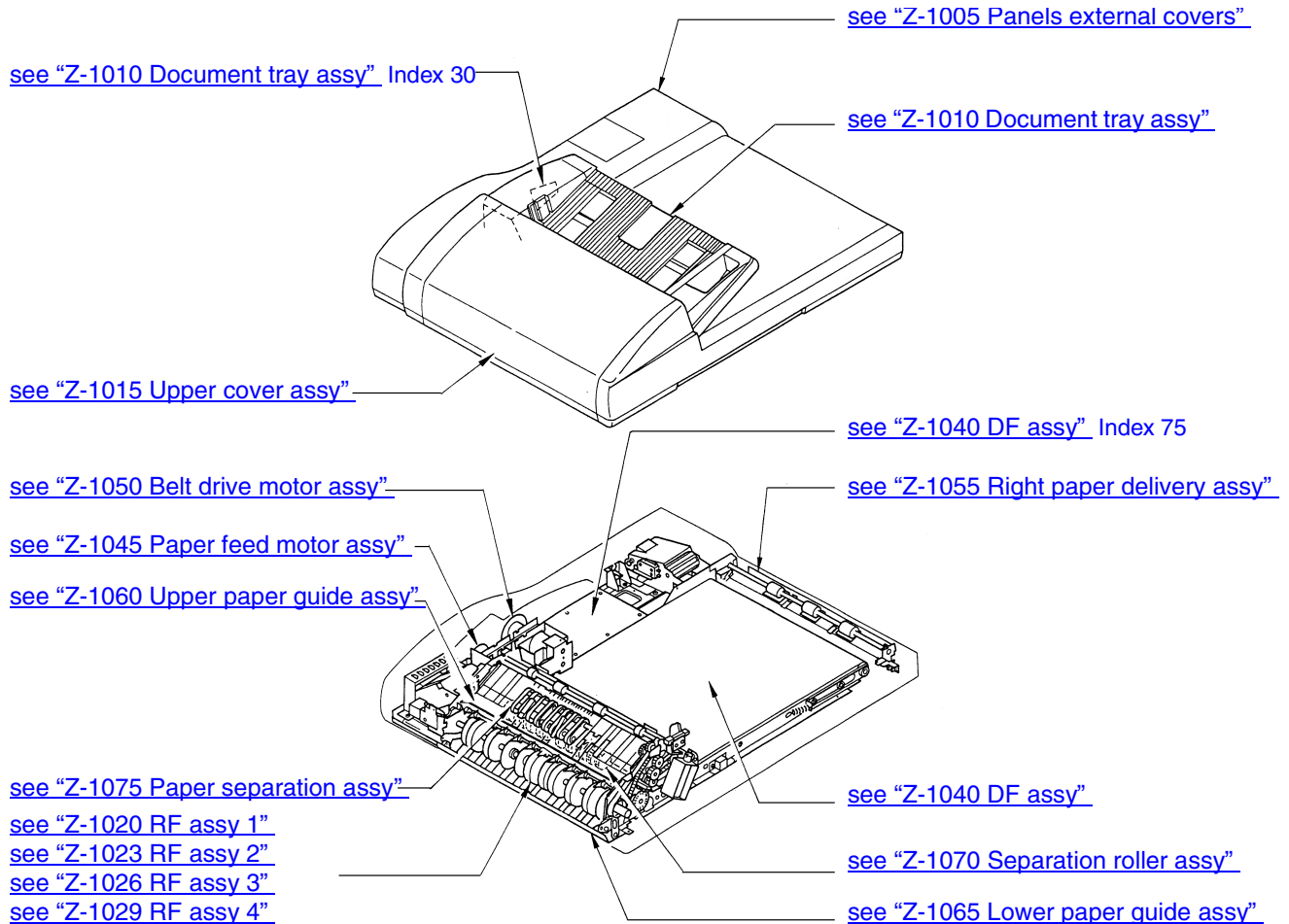
[see "Z-0805 Core image processor PBA"](#)

[see "Z-1100 Fax assy" Index 25](#)

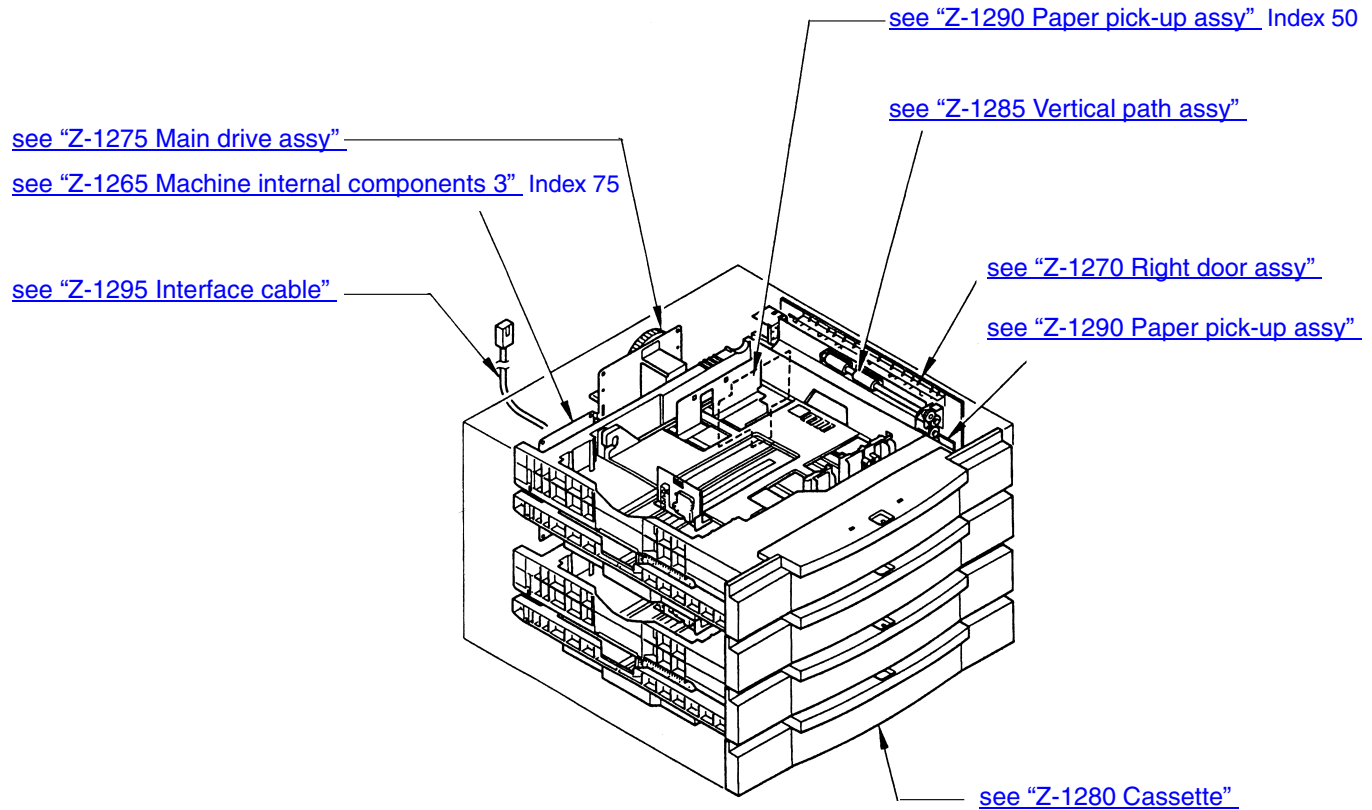
Z-0064 Location diagram 5 Basic / Fax



Z-0065 Location diagram 6 RDF



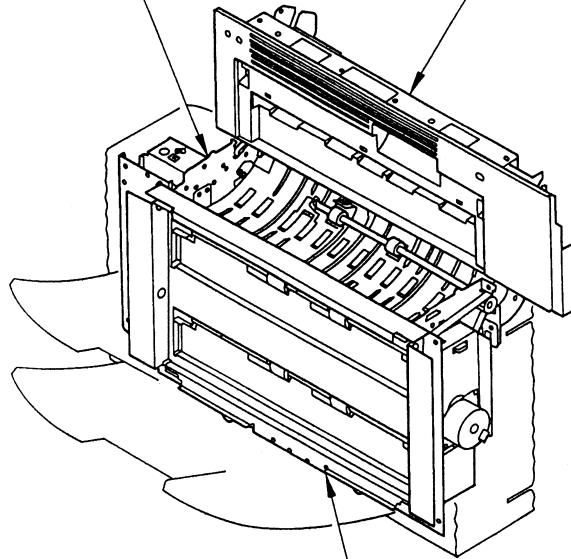
Z-0066 Location diagram 7 Cassettes



Z-0067 Location diagram 8 Delivery tray

[see "Z-1960 Feeder assy"](#)

[see "Z-1965 Delivery assy 1"](#)
[see "Z-1968 Delivery assy 2"](#)



[see "Z-1955 Offset assy"](#)

Z-0068 Location diagram 9 Sorter / Stapler

[see "Z-2150 Bin assy"](#)

[see "Z-2140 Sorter front drive assy"](#)

[see "Z-2160 Stapler assy"](#)

[see "Z-2165 Slide assy"](#)

[see "Z-2135 Sorter assy 1"](#)
[see "Z-2138 Sorter assy 2"](#)

[see "Z-2145 Sorter rear drive assy"](#)

[see "Z-2155 Paper guide assy"](#)

[see "Z-2130 Upper paper guide assy"](#)

[see "Z-2120 Offset assy"](#)

[see "Z-2110 Internal components 1" Index 100](#)

[see "Z-2125 Right door assy"](#)

Z-0069 Location diagram 10 Stapler/Sorter-E

[see "Z-2185 Bin assy"](#)

[see "Z-2187 Drive assy"](#)

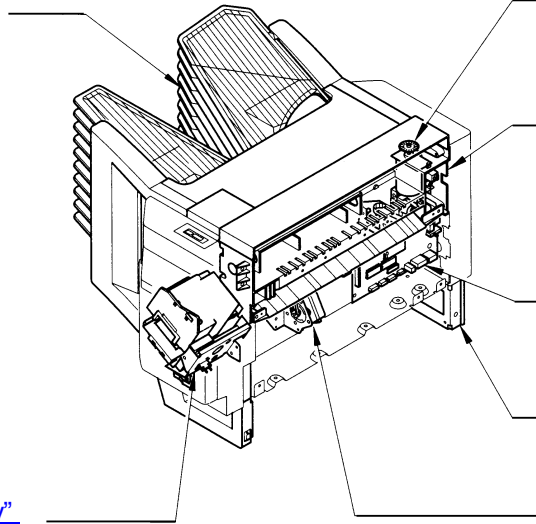
[see "Z-2191 Feeder guide assy"](#)

[see "Z-2195 Sorter controller PCB assembly"](#)

[see "Z-2175 Mounting hardware"](#)

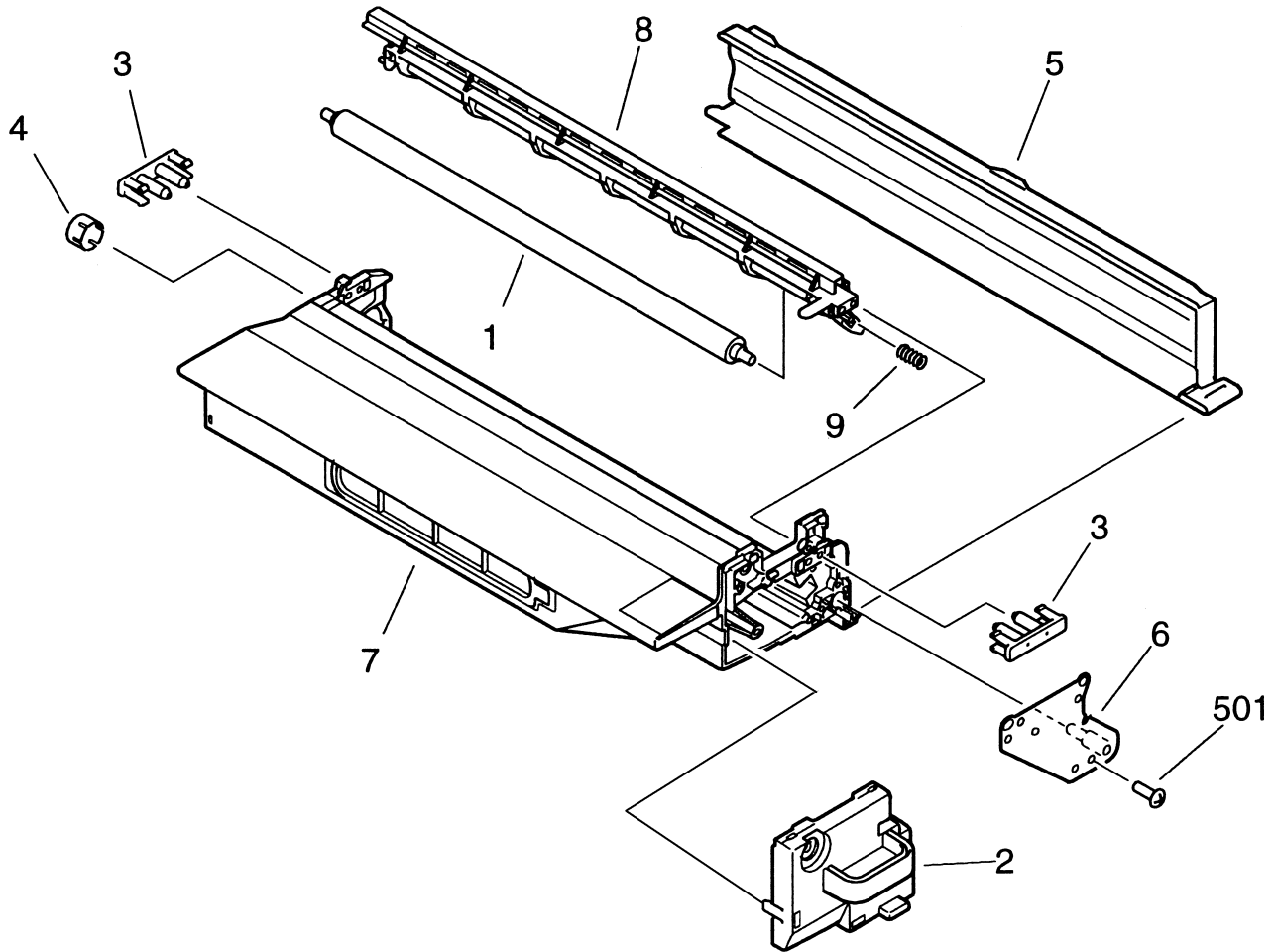
[see "Z-2193 Stapler assy"](#)

[see "Z-2189 Feeder drive assy"](#)



01. OPC

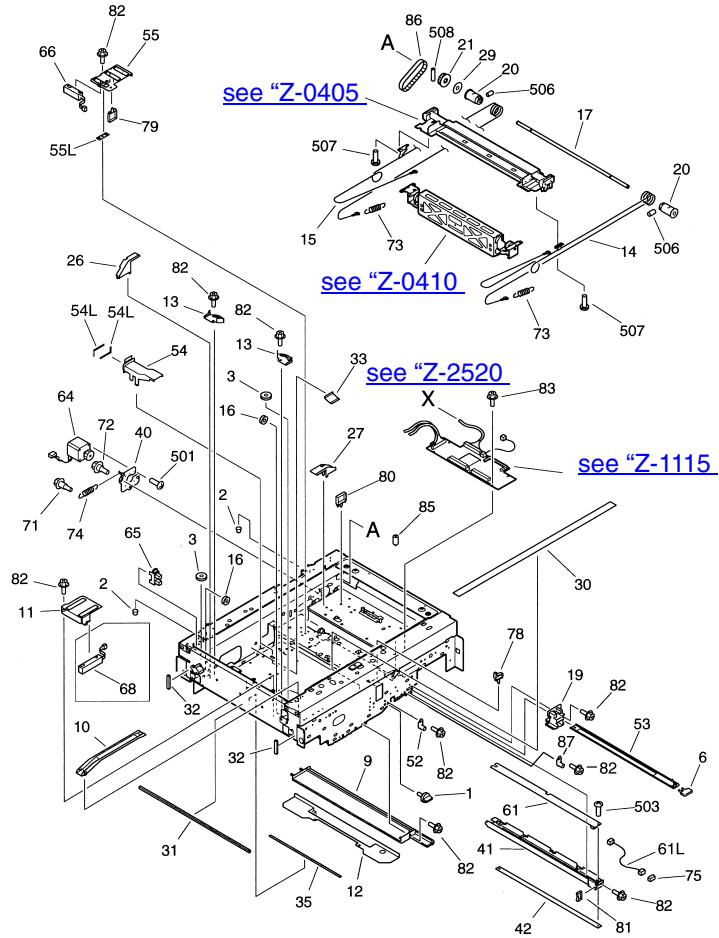
Z-0100 Drum cartridge



INDEX	SP.	PART NO.	DESCRIPTION	QTY
			DRUM CARTRIDGE	1
1	●	9165.225	- ROLLER PRIMARY CHARGING	1
2		9165.243	- FRONT COVER DRUM	1
3		9165.244	- DRUM HOLDING PIN	2
4		9165.245	- TERMINAL CAP	1
5		9165.246	- DRUM SHUTTER	1
6		9165.247	- FRONT PLATE DRUM SUPPORT	1
7	●	9165.231	- DRUM CLEANING UNIT	1
8	●	9165.248	- HOLDING UNIT ROLLER	1
9	●	9165.208	- COMPRESSION SPRING	1
501		9156.120	- SCREW TP TRUSS HEAD M4X8	3

04. Exposure

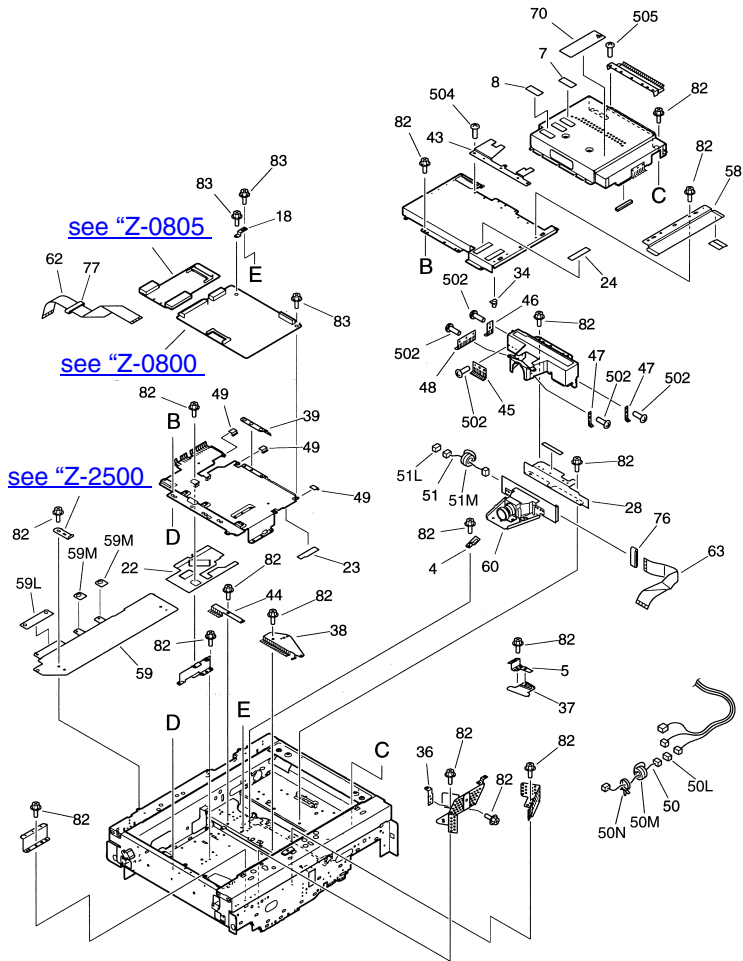
Z-0400 Lens mount assy 1



INDEX	SP.	PART NO.	DESCRIPTION	QTY
			LENS MOUNT ASSY 1	1
1	●	9165.249	- CARTRIDGE KNOB	1
2		9165.250	- CUP	2
3	●	9157.295	- PULLEY	2
6		9165.251	- DUST-PROOF KNOB	1
9		9165.252	- LEFT RAIL CASSETTE	1
10		9165.253	- GUIDE SUPPLY CABLE	1
11		9165.254	- HOLDER SIZE SENSOR	1
12		9165.255	- PLATE LIGHT BLOCKING	1
13		9165.256	- FRONT WIRE HOOK	1
14		9165.257	- SCANNER WIRE FRONT	1
15	●	9165.017	- SCANNER WIRE	1
16		9165.258	- END PULLEY	2
17		9165.259	- DRIVE SHAFT	1
19	●	9165.018	- GUIDE BLOCK	1
20	●	9165.022	- DRIVE PULLEY 1	2
21	●	9165.023	- DRIVE PULLEY 2	1
26	●	9165.026	- CABLE GUIDE 1	1
27	●	9165.027	- CABLE GUIDE 2	1
29		9165.260	- GEAR SPACER	1
30		9165.261	- RAIL PLATE	2
31		9165.262	- RUBBER SHEET 1	1
32		9165.263	- RUBBER SHEET 2	2
33		9165.264	- PROTECTIVE SHEET	1
35		9165.265	- FIXING RAIL SHEET	1
40		9165.266	- MOTOR MOUNT	1
41		9165.267	- LED LAMP UNIT MOUNT	1
42	●	9165.227	- FILTER	1
52	●	9165.055	- POSITIONING PIN	1
53	●	9165.056	- DUST-PROOF 2	1
54		9165.268	- COOLING FAN DUCT 2	1
54L		9165.269	- DUCT SEAL 2	2
55		9165.270	- SIZE SENSOR HOLDER 1	1
55L		9165.271	- DAMPER SHEET	1
61	●	9165.070	- PRECONDITIONING LAMP P	1

INDEX	SP.	PART NO.	DESCRIPTION	QTY
	61L	9173.519	- CABLE LAMP EXPOSURE	1
64	●	9165.080	- STEPPING MOTOR M2	1
65	●	9156.175	- IC PHOTO-MICROSENSOR PS1	1
66	●	9165.189	- DOCUMENT SENSOR 1 DS3	1
68	●	9165.190	- DOCUMENT SENSOR DS2	1
71	●	9156.303	- SCREW STEPPED M4	1
72	●	9158.674	- SCREW STEPPED M4X6	4
73		9165.273	- TORSION SPRING	2
74		9165.274	- TENSION SPRING	1
75		9156.203	- CONNECTOR SNAP TIGHT	1
78		9158.535	- CLAMP CABLE	4
79		9165.275	- CABLE CLAMP	1
80		9165.275	- CABLE CLAMP	1
81		9165.277	- CABLE CLIP	1
82	●	9156.091	- SCREW RS M4X8	1
83	●	9156.090	- SCREW W/WASHER M4X8	14
85		9165.278	- SETSCREW M3X10	1
86	●	9165.216	- TIMING BELT	1
87		9166.840	- POSITIONING PIN	1
501		9165.279	- PAN HEAD MACH SCREW M3X6	4
503	●	9155.843	- MACH.TRUSS HEAD SCREW M3X6	1
506		9165.280	- SETSCREW M3X6	4
507		9161.562	- SCREW TP M3X6	4
508		9165.281	- DOWEL PIN	1

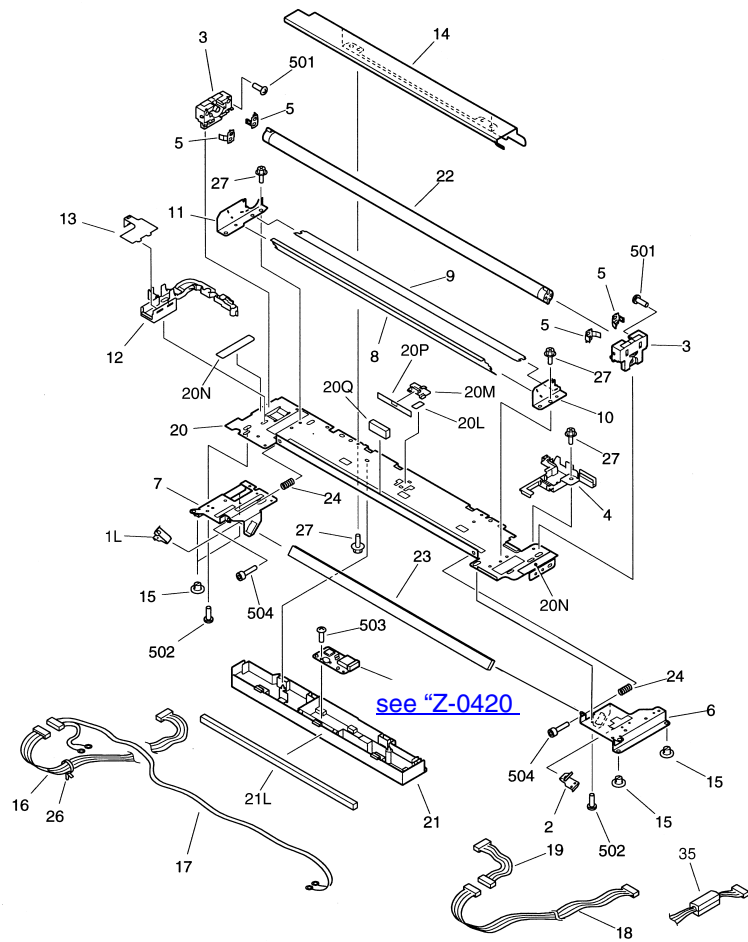
Z-0403 Lens mount assy 2



INDEX	SP.	PART NO.	DESCRIPTION	QTY
			LENS MOUNT ASSY 2	1
4		9165.282	- LENS HOLDER PLATE	1
5		9165.283	- LENS HOLDER PLATE	1
7		9165.284	- BLANKING SHEET	1
8		9165.284	- BLANKING SHEET	1
18		9165.285	- PBA SUPPORT PLATE	1
22		9165.291	- PROTECTIVE SHEET REAR	1
23		9165.286	- PROTECTIVE SHEET FRONT	1
24	●	9165.025	- BLANKING SHEET	1
28		9165.287	- PARTITION PLATE	1
34		9165.288	- DUST- PROOF CAP	9
36		9165.290	- HOLDER PLATE	1
37		9165.291	- CABLE COVER	1
38		9165.292	- GROUNDING PLATE	1
39		9165.293	- PROTECTIVE SHEET	1
43		9165.294	- IP/CCD GROUNDING PLATE	1
44		9165.295	- REAR GROUNDING PLATE	1
45		9165.296	- GROUNDING PLATE 1	1
46		9165.297	- GROUNDING PLATE 2	1
47		9165.298	- GROUNDING PLATE 3	1
48		9165.299	- GROUNDING PLATE 4	1
49		9165.300	- LOWER PROTECTIVE SHEET	3
50		9165.301	- CONNECTING CABLE 1	1
50L		9156.207	- CONNECTOR SNAP TIGHT	1
50M		9165.302	- CORE	1
50N		9165.303	- CABLE CLAMP	1
51		9165.304	- CONNECTING CABLE 2	1
51L		9156.204	- CONNECTOR SNAP TIGHT	1
51M		9165.302	- CORE	1
58		9165.305	- GROUNDING PLATE	1
59		9165.306	- SHIELD PLATE	1
59L		9165.307	- LARGE PROTECTIVE SHEET	1
59M		9165.308	- SMALL PROTECTIVE SHEET	2
60	●	9165.309	- CCD UNIT	1
62		9165.310	- FLAT CABLE 1	1

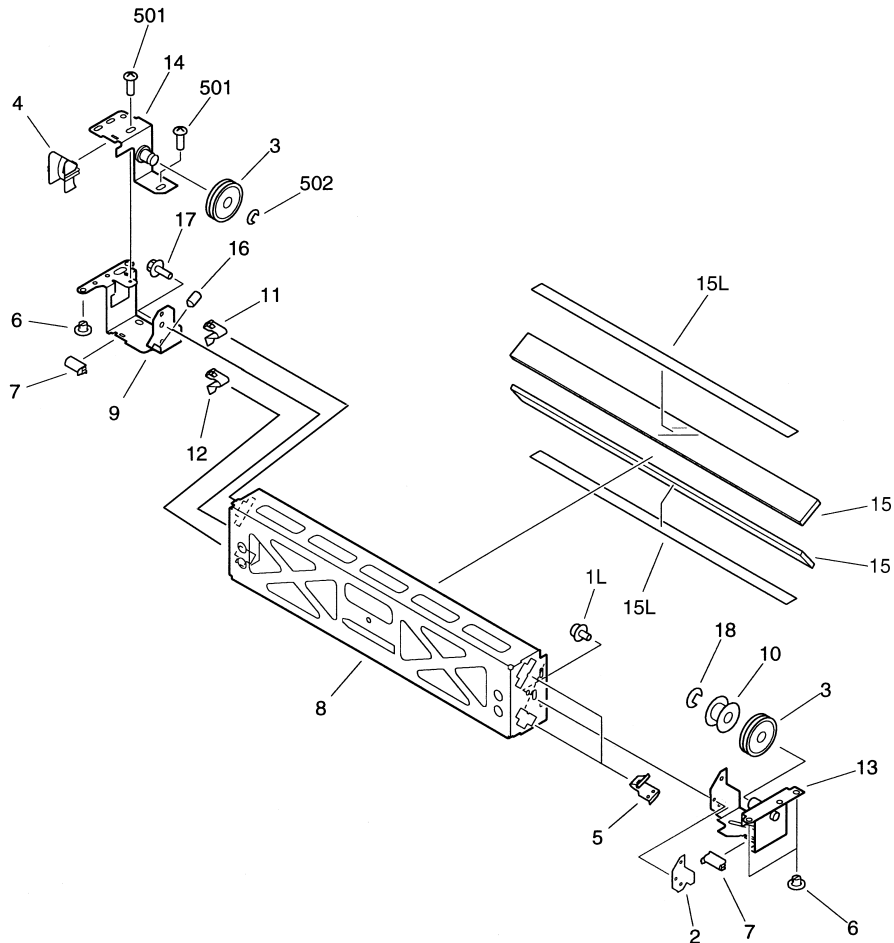
INDEX	SP.	PART NO.	DESCRIPTION	QTY
63		9165.311	- FLAT CABLE 2	1
70		9165.312	- LABEL "WARNING LASER"	1
76		9165.313	- CORE	1
77		9165.314	- FERRITE CORE	1
82	●	9156.091	- SCREW RS M4X8	1
83	●	9156.090	- SCREW W/WASHER M4X8	16
502		9156.123	- SCREW TRUSS HEAD M3X4	9
504		9156.953	- SCREW TRUSS HEAD M4X4	20
505		9165.315	- TH MACH SCREW M4X4	5

Z-0405 Mirror assy 1



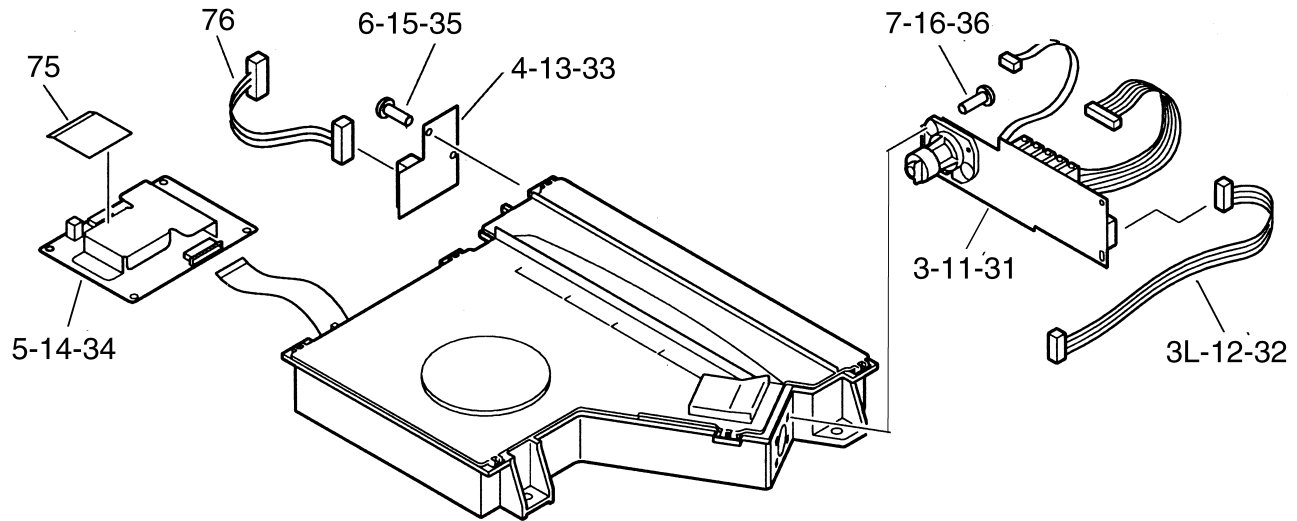
INDEX	SP.	PART NO.	DESCRIPTION	QTY
1			MIRROR ASSY 1	1
		● 9165.316	- MIRROR ASSY 1	1
	1L	● 9157.227	-- SPRING LEAF	1
	2	9157.228	-- SPRING LEAF	1
	3	9165.317	-- LAMP MOUNT	2
	4	● 9165.113	-- SUPPORT	1
	5	● 9165.114	-- CONTACT PLATE	4
	6	9165.318	-- MIRROR SUPPORT FRONT	1
	7	9165.319	-- MIRROR SUPPORT REAR	1
	8	9165.320	-- UPPER REFLECTOR	1
	9	9165.321	-- LOWER REFLECTOR	1
	10	9165.322	-- REFLECTOR SUPPORT FRONT	1
	11	9165.323	-- REFLECTOR SUPPORT REAR	1
	12	9165.324	-- CORD GUIDE 1	1
	13	9165.325	-- CORD GUIDE 2	1
	14	9165.326	-- LIGHT- BLOCKING PLATE	1
	15	● 9165.117	-- SLIDE PIN	4
	16	9165.327	-- CABLE 1 FLUORESCENT LAMP	1
	17	9165.328	-- CABLE 2 FLUORESCENT LAMP	1
	18	9165.329	-- CABLE 1 INTENSITY SENSOR	1
	19	9165.330	-- CABLE 2 INTENSITY SENSOR	1
	20	9165.331	-- MOUNT MIRROR 1	1
	20L	9165.332	-- FILTER LIGHT DENSITY	1
	20M	9165.333	-- CAP EXPOSE CONTROL SENSOR	1
	20N	9165.334	-- INSULATION SHEET	2
	20P	9165.335	-- INTENSITY COVER SHEET	1
	20Q	9165.336	-- RUBBER SPACER	1
	21	9165.337	-- MOUNT INTENSITY SENSOR	1
	21L	9165.338	-- RUBBER SPACER	1
	22	9165.234	-- LAMP FLUORESCENT FL1	1
	23	9165.339	-- MIRROR UNIT 1	1
24	9165.340	-- COMPRESSION SPRING	2	
26	9165.342	-- CABLE TIE	1	
27	9156.690	-- SCREW M3X6	1	
501	9156.532	-- SCREW TRUSS HEAD M3X6	4	

INDEX	SP.	PART NO.	DESCRIPTION	QTY
	502	9165.343	-- SCREW W/WASHER M3X6	4
	503	9165.345	-- TAPPING TH SCREW M3X6	1
	504	9165.346	-- ALLEN HEAD SCREW M3X14	2
	35	9165.341	- FERRITE CORE	1

Z-0410 Mirror assy 2

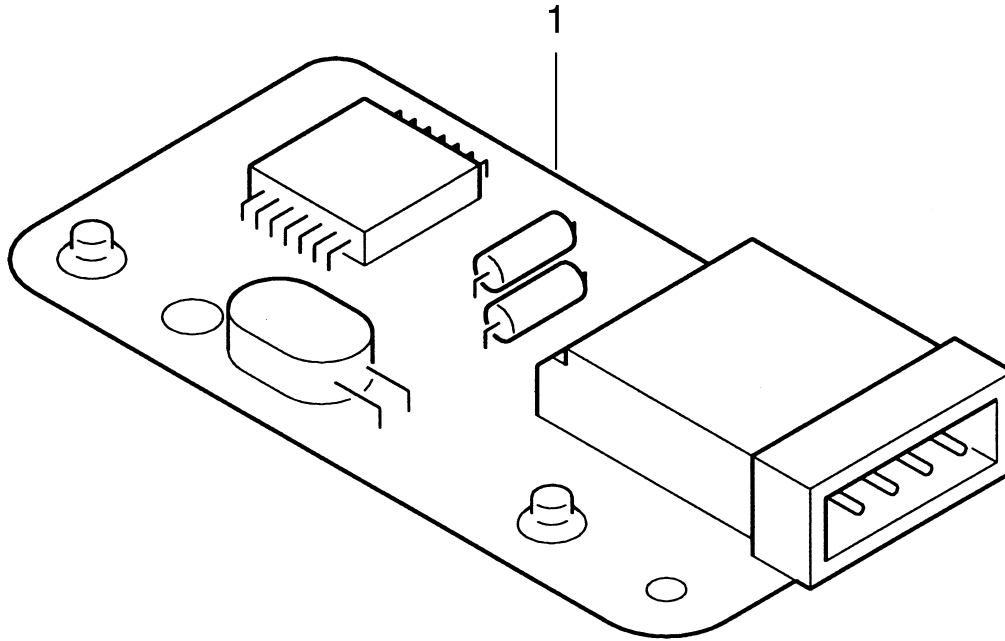
INDEX	SP.	PART NO.	DESCRIPTION	QTY
			MIRROR ASSY 2	1
1		● 9165.344	- MIRROR ASSY 2	1
	1L	9165.347	-- ALLEN HEAD SCREW M3X8	3
	2	9165.348	-- PLATE, AUXILIARY, MIRROR 2	1
	3	9165.349	-- PULLEY	2
	4	9165.350	-- CORD GUIDE	1
	5	9157.228	-- SPRING LEAF	2
	6	● 9165.117	-- SLIDE PIN	4
	7	9165.351	-- CORD GUIDE 2	2
	8	9165.352	-- MIRROR MOUNT 2	1
	9	9165.353	-- SLIDE MOUNT REAR	1
	10	9165.354	-- CORD GUIDE 3	1
	11	9165.355	-- LEAF SPRING	1
	12	9165.356	-- LEAF SPRING	1
	13	9165.357	-- SLIDE MOUNT FRONT	1
	14	9165.358	-- MOUNT PULLEY	1
	15	9165.359	-- MIRROR UNIT 2- 3	2
	15L	9165.360	-- MIRROR PLATE	1
	16	9162.360	-- ADJUSTMENT SCREW	1
	17	9156.690	-- SCREW M3X6	1
	18	9165.361	-- E-RING	1
	501	9158.148	-- SCREW TP M3X6	2
	502	9165.362	-- E-RING	1

Z-0415 Laser assy



INDEX	SP.	PART NO.	DESCRIPTION	QTY
			LASER ASSY	1
1	●	9165.363	- LASER ASSY, UP TO 3121.0300	1
3	●	9165.366	-- LASER DRIVER PBA ASSY	1
3L		9165.367	-- CABLE LASER POWER SUPPLY	1
4	●	9165.368	-- BEAM DETECT IC PBA ASSY	1
5	●	9165.088	-- POLYGON MOTOR DRIVER PBA	1
6		9165.369	-- PH TAPPING SCREW M2X8	2
7		9157.870	-- SCREW TP TRUSS HEAD M3X8	4
10	●	9166.844	- LASER ASSY, FROM 3121.03000	1
11	●	9166.843	-- LASER DRIVER PBA ASSY	1
12		9166.842	-- CABLE LASER POWER SUPPLY	1
13		9166.841	-- BEAM DETECT IC PBA ASSY	1
14	●	9166.979	-- POLYGON MOTOR DRIVER PBA	1
15		9165.369	-- PH TAPPING SCREW M2X8	2
16		9157.870	-- SCREW TP TRUSS HEAD M3X8	4
30	●	9166.980	- LASER ASSY, FROM 3121.06000 AND FOR 3122	1
31	●	9166.843	-- LASER DRIVER PBA ASSY	1
32		9166.842	-- CABLE LASER POWER SUPPLY	1
33		9166.841	-- BEAM DETECT IC PBA ASSY	1
34	●	9166.979	-- POLYGON MOTOR DRIVER PBA	1
35		9165.369	-- PH TAPPING SCREW M2X8	2
36		9157.870	-- SCREW TP TRUSS HEAD M3X8	4

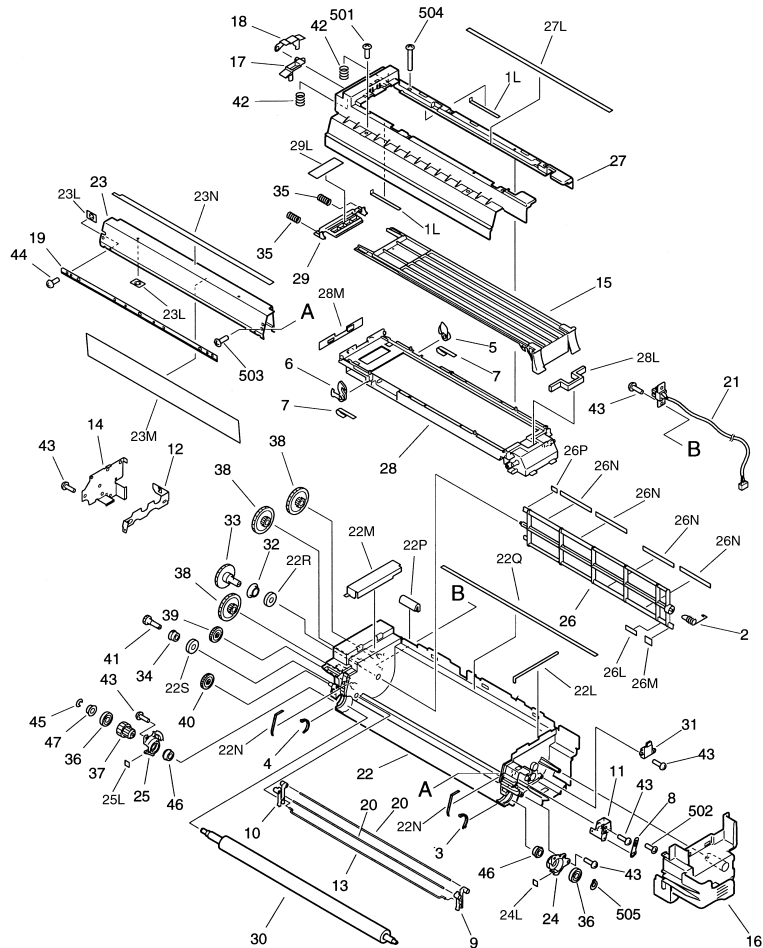
Z-0420 Intensity sensor PBA assy



INDEX	SP.	PART NO.	DESCRIPTION	QTY
	1	● 9165.068	INTENSITY SENSOR PBA ASSY	1
			- INTENSITY SENSOR PBA	1

05. Developing

Z-0500 Developing assy

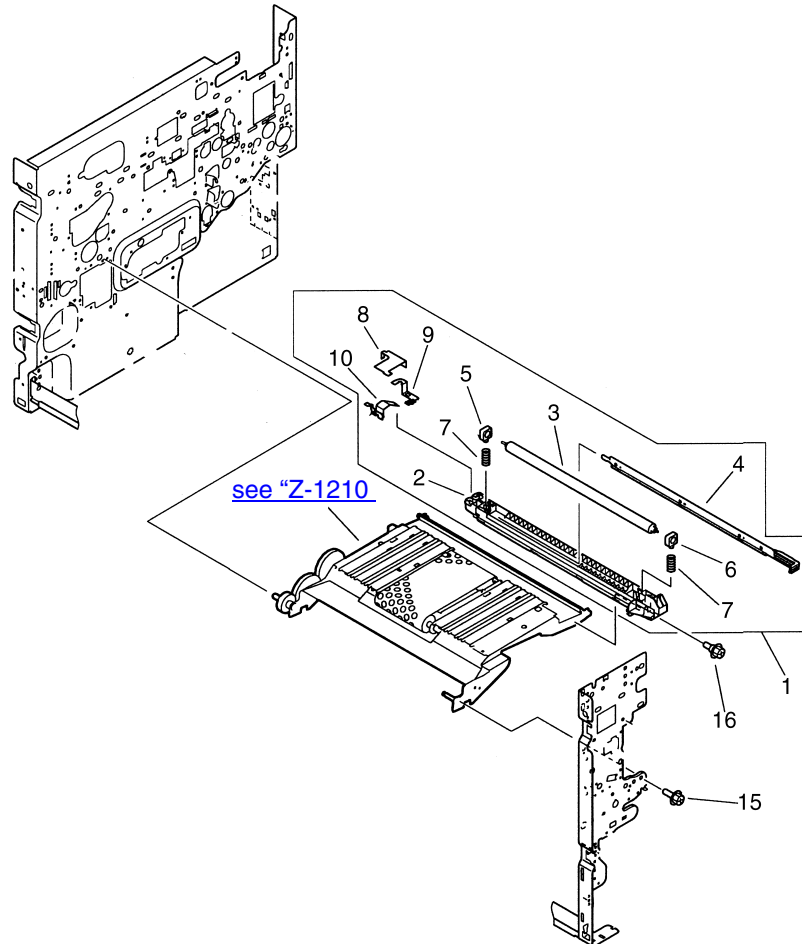


INDEX	SP.	PART NO.	DESCRIPTION	QTY	INDEX	SP.	PART NO.	DESCRIPTION	QTY
			DEVELOPING ASSY	1					
1		● 9165.176	- DEVELOPING ASSY	1	24		9165.396	-- SLEEVE HOLDER FRONT	1
	1L	● 9165.104	-- LEAF SPRING	2	24L		9165.397	-- CLEANING SHEET	1
	2	● 9165.105	-- COMPRESSION SPRING	1	25		9165.398	-- SLEEVE HOLDER REAR	1
	3	9165.372	-- FRONT SEAL	1	25L		9165.397	-- CLEANING SHEET	1
	4	9165.373	-- REAR SEAL	1	26		9165.399	-- STIRRING ROD	1
	5	● 9165.109	-- CARTRIDGE LOCK RIGHT	1	26L		9165.400	-- STIRRING SHEET 2	1
	6	● 9165.110	-- CARTRIDGE LOCK LEFT	1	26M		9165.401	-- STIRRING SHEET 3	1
	7	● 9165.111	-- LEAF SPRING	2	26N		9165.402	-- STIRRING SHEET 1	4
	8	9165.374	-- POSITIONING PLATE	1	26P		9165.403	-- STIRRING SHEET 4	1
	9	9165.375	-- FRONT STIRRING SUPPORT	1	27	●	9165.404	-- COVER UPPER HOPPER	1
	10	9165.376	-- REAR STIRRING SUPPORT	1	27L		9165.405	-- SEAL HOPPER SIDE	2
	11	9165.377	-- FRONT TERMINAL PLATE	1	28		9165.406	-- COVER HOPPER LOWER	1
	12	● 9165.129	-- BIAS PLATE	1	28L		9165.407	-- SEAL HOPPER FRONT	1
	13	9165.378	-- STIRRING ROD	1	28M		9165.408	-- SEAL HOPPER REAR	1
	14	9165.379	-- GEAR SUPPORT	1	29		9165.409	-- BUFFER COVER	1
	15	9165.380	-- SLIDE COVER	1	29L		9165.410	-- BUFFER SEAL	1
	16	● 9165.381	-- FRONT DEVELOPING COVER	1	30	●	9165.233	-- CILINDER DEVELOPING	1
	17	9165.382	-- REAR LOCK LEFT	1	31	●	9165.235	-- TONER SENSOR TS1	1
	18	9165.383	-- REAR LOCK FRONT	1	32		9165.411	-- BUSHING	1
	19	9165.384	-- BLADE POSITIONING PLATE	1	33	●	9165.090	-- GEAR 48T	1
	20	9165.385	-- AUXILIARY SHAFT	2	34		9165.412	-- BUSHING	1
	21	● 9165.163	-- TONER SENSOR CABLE	1	35		9165.413	-- COMPRESSION SPRING	2
	22	9165.386	-- HOUSING DEVELOPING ASSY	1	36		9165.414	-- ROLLER 1	2
	22L	9165.387	-- DEVELOPING SEAL FRONT	1	37	●	9165.097	-- GEAR 20T	1
	22M	9165.388	-- DEVELOPING SEAL REAR	1	38		9165.415	-- GEAR 15T/48T	3
	22N	9165.389	-- DEVELOPING SEAL SIDE	2	39		9165.416	-- GEAR 26T	1
	22P	9165.390	-- SEAL, RIB	1	40		9165.417	-- GEAR 24T	1
	22Q	9165.391	-- DEVELOPING SEAL BACKSIDE	1	41		9165.418	-- GEAR 14T	1
	22R	● 9156.836	-- SEAL OIL	1	42		9165.419	-- COMPRESSION SPRING	2
	22S	● 9157.750	-- SEAL OIL	1	43	●	9156.651	-- SCREW M3X8	12
	23	9165.392	-- BLADE ATTACHMENT PLATE	1	44		9165.420	-- SCREW M3X4	4
	23L	9165.393	-- SHEET	6	45		9165.421	-- E- RING	1
	23M	9165.394	-- SHEET SEPARATION PLATE	1	46		9165.422	-- BEARING BALL	2
	23N	9165.395	-- SEAL BLADE	1	47		9165.423	-- BEARING BALL	1
					501		9155.832	-- MACH.TRUSS.HEAD SCREW M3X4	2

INDEX	SP.	PART NO.	DESCRIPTION	QTY
	502	9158.471	-- SCREW MACH T HEAD M3X6	1
	503	9156.974	-- SCREW TP TRUSS HEAD M3X8	2
	504	9158.472	-- SCREW TP TRUSS HEAD M3X16	4
	505	9156.885	-- RING GRIP	1

06. Transfer

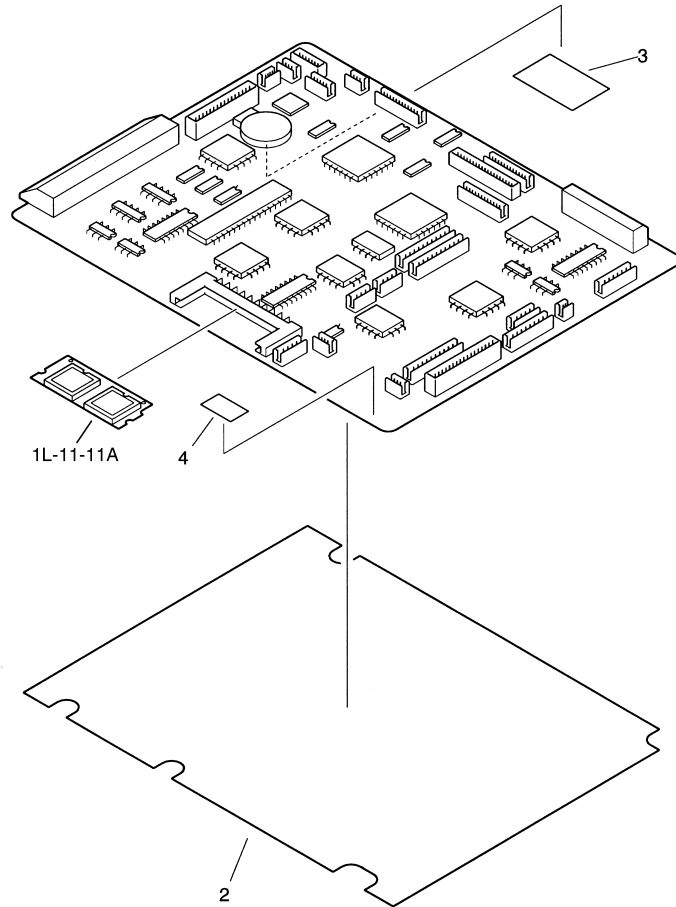
Z-0600 Transfer roller unit



INDEX	SP.	PART NO.	DESCRIPTION	QTY
			TRANSFER ROLLER UNIT	1
1	●	9165.425	- TRANSFER ROLLER UNIT	1
2		9165.426	-- TRANSFER FRAME	1
3	●	9165.241	-- TRANSFER ROLLER	1
4	●	9165.240	-- STATIC CHARGE ELIMINATOR	1
5	●	9165.146	-- BUSHING	1
6	●	9165.147	-- BUSHING	1
7		9165.431	-- COMPRESSION SPRING	2
8		9165.432	-- INSULATING SHEET	1
9	●	9165.143	-- PLATE TRANSFER CONNECTING	1
10	●	9165.168	-- PLATE ELIMINATOR CONNECTING	1
15	●	9156.091	- SCREW RS M4X8	1
16	●	9156.258	- SCREW STEPPED	1

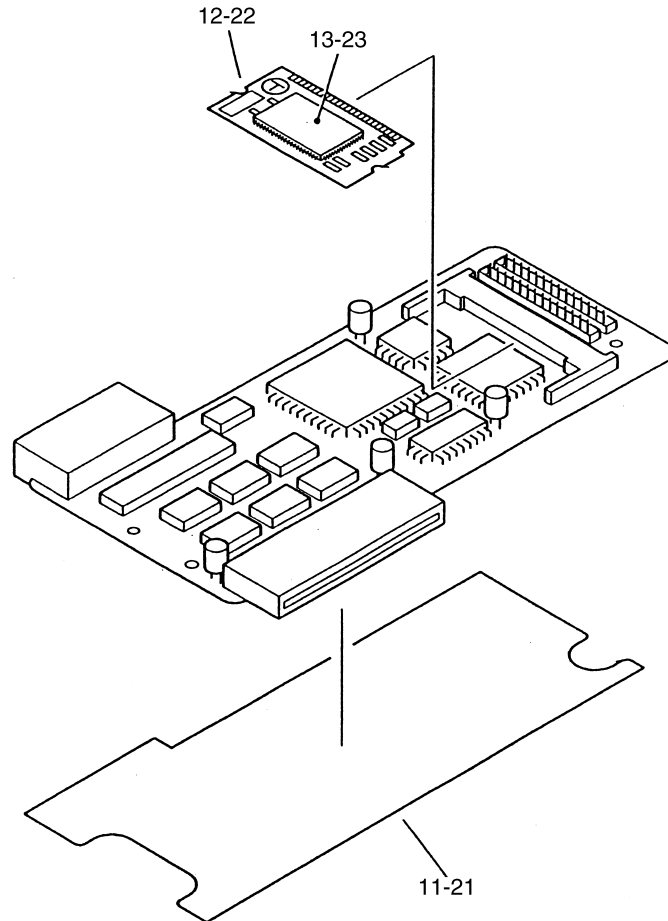
08. Image processing

Z-0800 Image processing PBA assy



INDEX	SP.	PART NO.	DESCRIPTION	QTY
1		● 9165.178	IMAGE PROCESSING PBA ASSY	1
			- IMAGE PROCESSOR PBA, UP TO 3121.03000	1
	1L	● 9165.102	-- FLASH MEMORY PBA	1
	2	9165.576	-- INSULATION SHEET	1
	3	9165.577	-- INSULATION SHEET	1
10	4	9165.578	-- PWM CHECK SEAL	1
		● 9166.845	- IMAGE PROCESSOR PBA, FROM 3121.03000	1
10A	11	● 9166.846	-- FLASH MEMORY PBA	1
		● 9166.976	- IMAGE PROCESSOR PBA ASSY (FOR 3122)	1
	11A	● 9166.977	-- FLASH MEMORY PBA ASSY (FOR 3122)	1

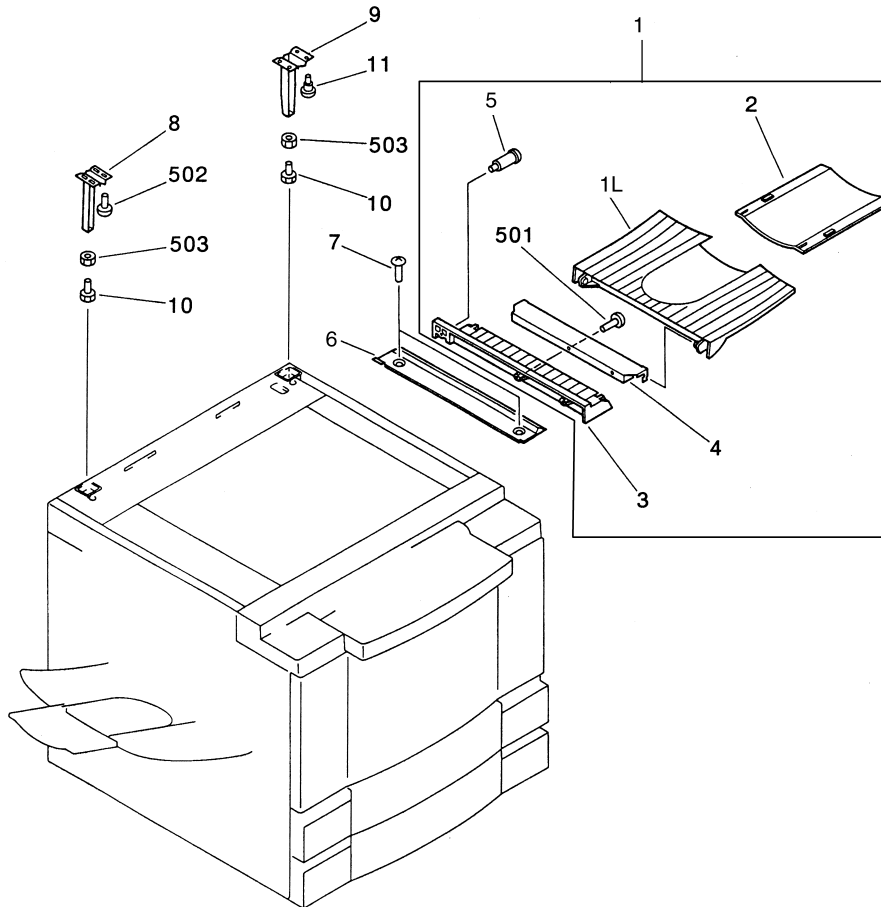
Z-0805 Core image processor PBA



INDEX	SP.	PART NO.	DESCRIPTION	QTY
10		● 9166.849	CORE IMAGE PROCESSOR PBA	1
			- CORE IMAGE PROCESSOR PBA, FOR 3121	1
	11	9165.436	-- INSULATING SHEET	1
	12	9166.848	-- CIST PBA ASSY	1
13	9166.847	-- IC GATE ARRAY	1	
20		● 9166.998	- CORE IMAGE PROCESSOR PBA, FOR 3122	1
	21	9165.436	-- INSULATING SHEET	1
	22	9166.848	-- CIST PBA ASSY	1
	23	9166.847	-- IC GATE ARRAY	1

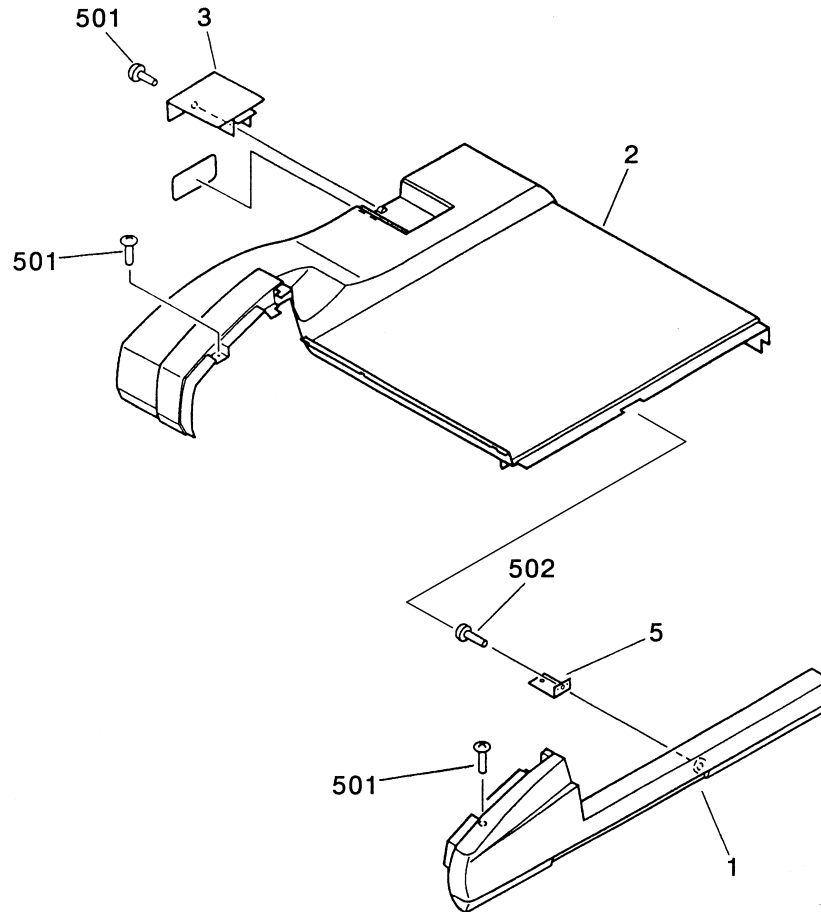
10. RDF / RADF

Z-1000 Mounting hardware



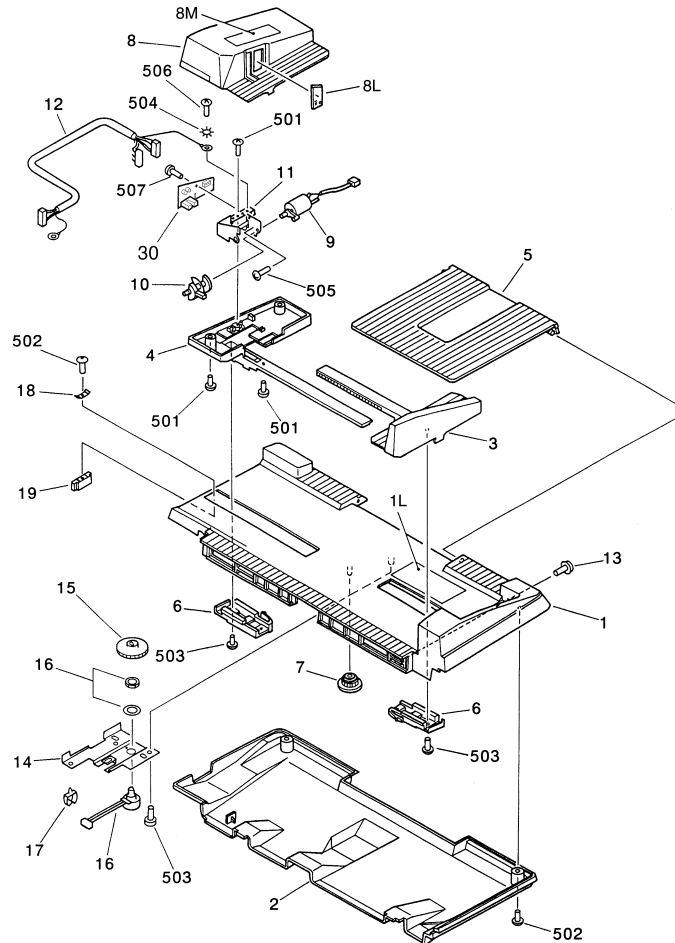
INDEX	SP.	PART NO.	DESCRIPTION	QTY
			MOUNTING HARDWARE	1
1		9180.502	- RIGHT PAPER DELIVERY TRAY UNIT	1
1L	●	9166.063	-- COPY TRAY 3	1
2	●	9166.064	-- COPY TRAY 2	1
3		9165.916	-- TRAY MOUNT/RDF	1
4		9165.917	-- TRAY PLATE/RDF	1
5		9165.944	-- STEPPED SCREW M4	4
6		9165.904	- GLASS RETAINER RIGHT/RDF	1
7		9165.455	- FH MACH SCREW M3X4	1
8	●	9174.286	- LEFT PILLAR	1
9	●	9174.284	- RIGHT PILLAR	1
10		9166.067	- BOLT M5X20	2
11	●	9158.406	- SCREW STEPPED M3X3	4
501		9158.322	-- SCREW TRUSS HEAD M4X30	1
502		9156.530	- SCREW TP M4X6	4
503		9158.053	- NUT HEX M5	2

Z-1005 Panels external covers



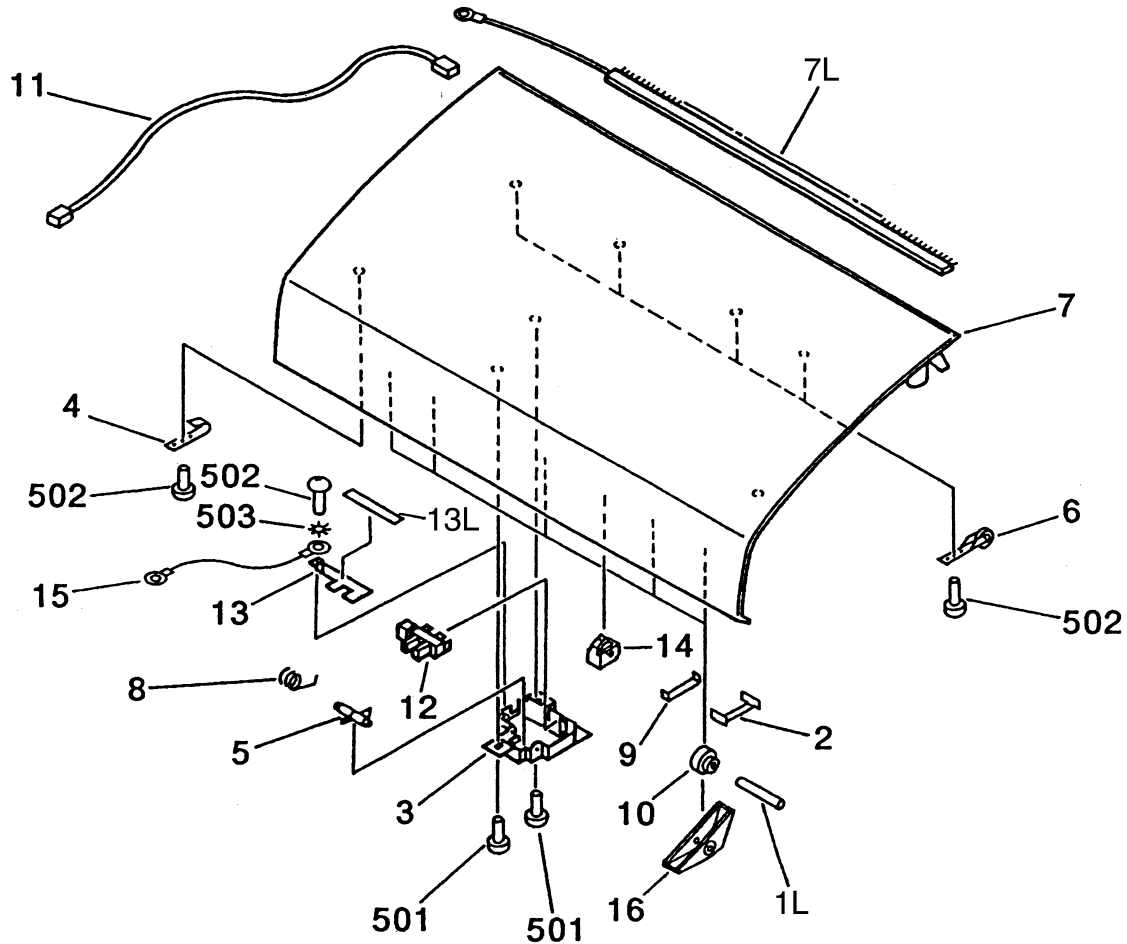
INDEX	SP.	PART NO.	DESCRIPTION	QTY
			PANELS EXTERNAL COVERS	1
1	●	9166.068	- FRONT COVER	1
2	●	9166.069	- UPPER COVER	1
3	●	9166.070	- COVER	1
5		9166.071	- COVER PLATE	1
501		9156.529	- SCREW TRUSS HEAD M4X6	9
502		9156.120	- SCREW TP TRUSS HEAD M4X8	1

Z-1010 Document tray assy



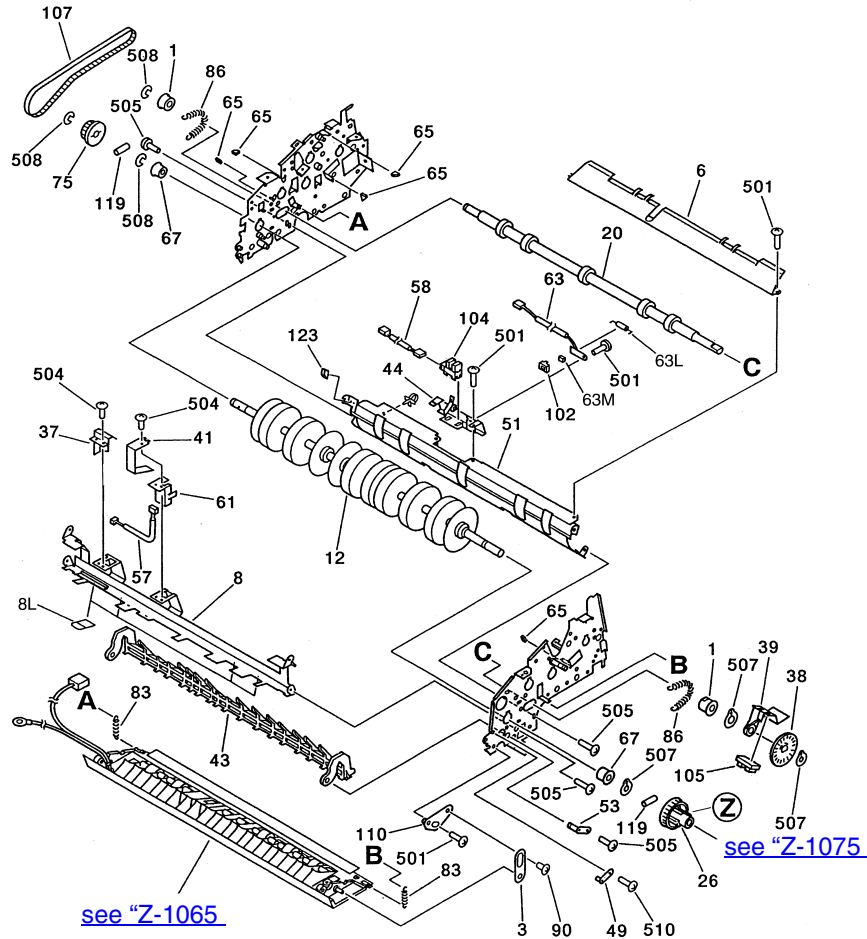
INDEX	SP.	PART NO.	DESCRIPTION	QTY
			DOCUMENT TRAY ASSY	1
1	●	9166.073	- DOCUMENT TRAY	1
1L		9166.074	- PAPER SIZE LABEL	1
2	●	9166.075	- TRAY LOWER COVER	1
3	●	9166.076	- FRONT SLIDE GUIDE	1
4	●	9166.077	- MOUNT REAR GUIDE	1
5	●	9166.078	- AUXILIARY TRAY	1
6		9166.079	- GUIDE CLAMP	2
7	●	9166.382	- GEAR 16T	1
8	●	9166.080	- REAR SLIDE GUIDE	1
8L		9166.081	- PLATE	1
8M	●	7152.636	- WARNING LABEL	1
9	●	9166.383	- MOTOR DC6V M4	1
10		9166.083	- RECYCLE LEVER	1
11		9166.084	- RECYCLE MOTOR MOUNT	1
12		9166.085	- CABLE TRAY	1
13		9166.086	- SCREW MWH M4X10	2
14		9166.087	- VOLUME MOUNT	1
15	●	9166.384	- GEAR 32T	1
16	●	9166.385	- ROTARY VR ASSY VR1	1
17	●	9156.267	- CLAMP	1
18		9166.088	- LEAF SPRING	1
19	●	9166.089	- TRAY BLOCK	1
30		9166.380	- INDICATOR PBA ASSY	1
501		9165.345	- TAPPING TH SCREW M3X6	3
502		9158.351	- SCREW TAPPING TRUSS HEAD M3X8	2
503		9157.870	- SCREW TP TH M3X8	5
504		9166.062	- TOOTHED LOCK WASHER	1
505		9166.090	- SCREW MTH M2X3	2
506		9156.276	- SCREW TRUSS HEAD M3X6	1
507		9155.843	- MACH.TRUSS HEAD SCREW M3X6	1

Z-1015 Upper cover assy



INDEX	SP.	PART NO.	DESCRIPTION	QTY
			UPPER COVER ASSY	1
1		● 9166.095	- UPPER COVER ASSY	1
	1L	9166.096	-- ROD	5
	2	9166.097	-- LEAF SPRING	5
	3	● 9166.098	-- SENSOR COVER	1
	4	9166.099	-- LEAF SPRING	2
	5	● 9166.387	-- SENSOR FLAG	1
	6	● 9166.388	-- DELIVERY ROLLER	4
	7	9166.100	-- UPPER COVER	1
	7L	● 9166.389	-- STATIC CHARGE ELIMINATOR	1
	8	● 9166.390	-- TORSION SPRING	1
	9	● 9166.391	-- LEAF SPRING	5
	10	● 9166.392	-- ROLLER	5
	11	9166.101	-- CABLE SENSOR CONNECTING	1
	12	● 9162.902	-- PHOTO-INTERRUPTER S6	1
	13	● 9166.393	-- SENSOR GUARD PLATE	1
	13L	● 9166.394	-- GUARD MYLAR	1
	14	9166.102	-- LIB GUIDE 1	1
	15	9166.103	-- WIRE	1
	16	9166.850	-- GUIDE	5
	501	9156.120	-- SCREW TP TRUSS HEAD M4X8	2
	502	9165.345	-- TAPPING TH SCREW M3X6	7
	503	9166.062	-- TOOTHED LOCK WASHER	1

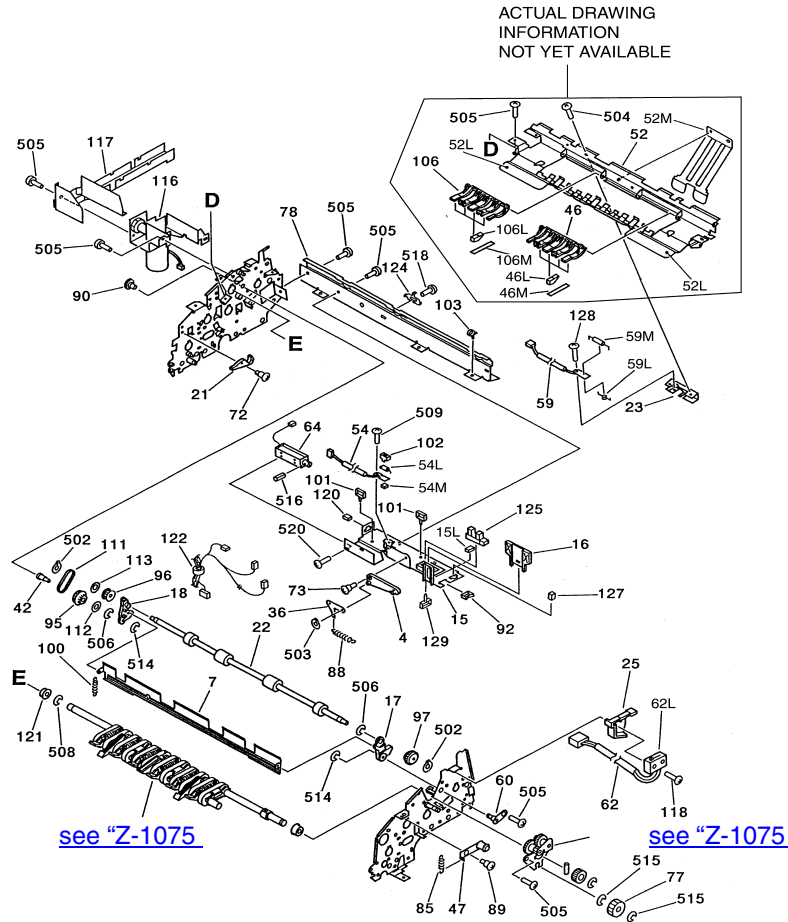
Z-1020 RF assy 1



INDEX	SP.	PART NO.	DESCRIPTION	QTY
			RF ASSY 1	1
1	●	9157.474	- BUSHING	2
3		9166.105	- LOWER GUIDE STOPPER	1
6		9166.108	- INNER GUIDE A	1
8		9166.110	- REVERSE PLATE	1
8L		9166.851	- SHEET	4
12	●	9166.395	- REVERSE ROLLER	1
20	●	9166.400	- REGISTRATION ROLLER	1
26	●	9166.402	- REVERSE ROLLER PULLEY	1
37		9166.130	- SENSOR COVER	1
38		9166.131	- CLOCK DISK	1
39		9166.132	- SENSOR REGISTRATION HOLDER	1
41		9166.134	- SENSOR COVER	1
43		9166.136	- PAPER GUIDE	1
44		9166.137	- PLATE SEPARATION SENSOR	1
49		9166.141	- POSITIONING PLATE	1
51		9166.143	- INNER GUIDE B	1
53		9166.145	- POSITIONING PLATE	1
57		9166.150	- CABLE SENSOR CONNECTING	1
58		9166.151	- CABLE SEPARATION SENSING	1
61		9166.154	- REGISTRATION SENSOR ASSY LED3	1
63	●	9166.409	- ENT SENSING LED PBA ASSY S3	1
63L		9166.146	- DIODE 1SS81	1
63M		9166.147	- PHOTO-TRANSISTOR	1
65		9166.155	- RUBBER CAP	5
67	●	9156.734	- BUSHING	2
75	●	9166.412	- PULLEY 40T	1
83		9166.161	- TENSION SPRING	2
86		9166.164	- TENSION SPRING	2
90		9166.168	- MTH SCREW M4X5	2
102		9166.173	- SENSING HOLDER J	1
104	●	9161.973	- PHOTO-INTERRUPTER	1
105	●	9161.902	- PHOTO-INTERRUPTER S11	1
107	●	9175.601	- TIMING BELT 140T	1

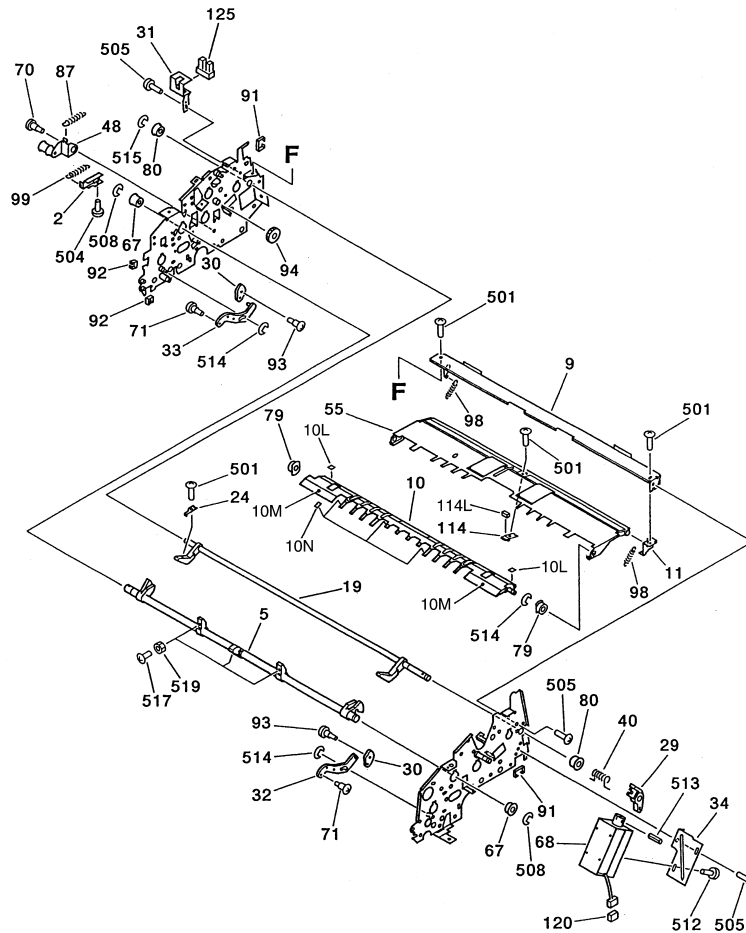
INDEX	SP.	PART NO.	DESCRIPTION	QTY
110		9166.175	- PLATE	1
119	●	9157.517	- PIN DOWEL	1
123		9166.852	- GUIDE RAIL	1
501	●	9155.843	- MACH.TRUSS HEAD SCREW	1
504		9155.832	- MACH.TRUSS.HEAD SCREW	1
507		9156.885	- RING GRIP	3
508		9156.275	- RING-E	1
510		9158.049	- SCREW TRUSS HEAD M4X4	1

Z-1023 RF assy 2



INDEX	SP.	PART NO.	DESCRIPTION	QTY	INDEX	SP.	PART NO.	DESCRIPTION	QTY
			RF ASSY 2	1					
4		9166.106	- SHUTTER ARM	1	85		9166.163	- TENSION SPRING	1
7		9166.109	- WEIGHT	1	88		9166.166	- TENSION SPRING	1
15		9166.114	- SHUTTER HOLDING PLATE	1	89		9166.167	- STEPPED SCREW M3	1
15L		9166.853	- CUSHION	1	90		9166.168	- MTH SCREW M4X5	1
16		9166.115	- SHUTTER	1	91	●	9156.201	- CLIP CABLE	1
17	●	9166.398	- FRONT PICK-UP ARM	1	95	●	9166.418	- GEAR-PULLEY 16T/20T	1
18	●	9166.399	- REAR PICK-UP ARM	1	96	●	9166.419	- PULLEY 20T	1
21		9166.117	- DEFLECTOR LEVER 1	1	97	●	9166.420	- GEAR 16T	1
22	●	9180.666	- PAPER DELIVERY ROLLER	1	100		9166.172	- TENSION SPRING	1
23		9166.118	- SENSOR HOLDER E	1	101	●	9156.200	- CLAMP	2
25		9166.120	- SWITCH HOLDER	1	102		9166.173	- SENSING HOLDER J	1
36		9166.129	- SHUTTER LINK	1	103	●	9155.095	- CORD CLAMP	7
42		9166.135	- SHAFT	1	104	●	9161.973	- PHOTO- INTERRUPTER	1
47		9166.139	- FRONT BELT TENSION PLATE	1	111	●	9166.425	- TIMING BELT 44T	2
* 52	●	9180.680	- SEPARATION LIMIT PLATE	1	112		9166.176	- FLANGE C	1
* 52L	●	9180.681	- MYLAR LIMIT FRONT	1	113		9166.177	- FLANGE D	1
* 52M	●	9180.682	- MYLAR LIMIT REAR	1	116	●	9166.427	- MOTOR DC23V M1	1
			* NEW SITUATION, INSTEAD OF OLD: 46-46L-46M-52-52L-52M-106- 106L-106M		117		9166.181	- CABLE GUIDE	1
54	●	9166.406	- EMP SENSING LED PBA ASSY S1	1	118		9166.182	- MTH SCREW M2X12	1
54L		9166.146	- DIODE 1SS81	1	120		9156.203	- CONNECTOR SNAP TIGHT	2
54M		9166.147	- PHOTO-TRANSISTOR	1	121	●	9157.136	- BUSHING	2
59	●	9166.407	- EMP SENSING LED PBA ASSY LED1	1	122		9166.856	- FERRITE CORE	1
59L		9166.152	- LED TLN04B	1	124		9166.857	- TRAY POSITIONING PLATE	1
59M		9166.146	- DIODE 1SS81	1	125		9166.858	- IC PHOTO INTERRUPTER	2
60		9166.153	- PICK-UP PLATE	1	127		9156.203	- CONNECTOR SNAP TIGHT	1
62	●	9166.408	- COVER SWITCH ASSY MS1	1	128		9166.859	- SCREW MTH M3X4	1
62L	●	9175.815	- MICRO SWITCH	1	129		9166.860	- CABLE CLIP	1
64	●	9166.410	- SOLENOID DC24V SL1	1	502		9157.737	- RING GRIP	2
72		9135.117	- SCREW. STEPPED. M3	1	503		9166.183	- GRIP RING	1
73		9135.753	- SCREW. STEPPED	1	504		9155.832	- MACH.TRUSS.HEAD SCREW	1
77	●	9166.414	- GEAR 18T	1	505		9156.121	- SCREW TRUSS HEAD M4X6	1
78		9166.158	- SHUTTER PLATE P	1	506		9155.834	- E RING	1
					508		9156.275	- RING-E	1
					509		9166.184	- MTH SCREW M3X3	2
					514		9156.435	- RING-E	1
					515		9156.215	- RING-E	2

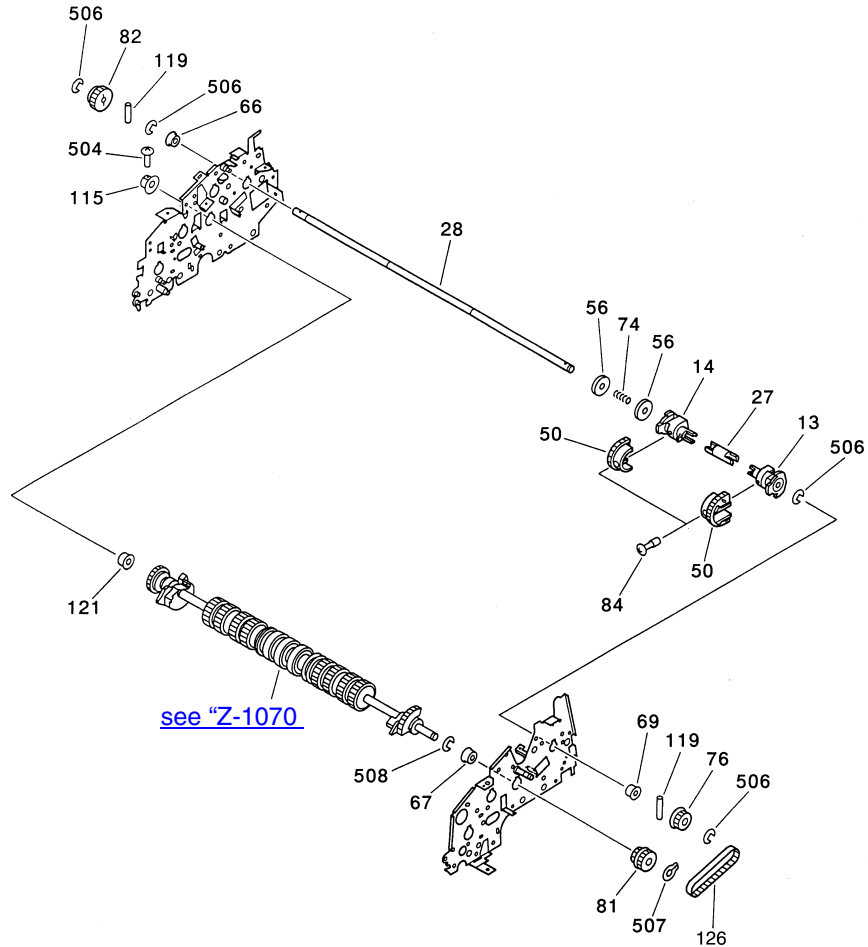
INDEX	SP.	PART NO.	DESCRIPTION	QTY
	516	9158.055	- PIN SPRING	1
	518	9156.530	- SCREW TP M4X6	1
	520	9166.861	- SCREW MTH M3X3	1

Z-1026 RF assy 3

INDEX	SP.	PART NO.	DESCRIPTION	QTY
			RF ASSY 3	1
2		9166.104	- PLATE CAM LIFTING	1
5		9166.107	- CAM SHAFT	1
9		9166.111	- CROSSMEMBER UPPER GUIDE	1
10		9174.301	- SEPARATION FRONT GUIDE	1
10L		9166.862	- RUBBER	2
10M		9166.863	- SHEET A	2
10N		9166.864	- SHEET B	2
11		9166.113	- PLATE TRAY	1
19		9166.116	- SHAFT PICK-UP PRESSURE	1
29		9166.123	- SOLENOID HOOK	1
30		9166.124	- CAM	2
31		9166.125	- SENSING PLATE	1
32		9166.126	- FRONT ARM	1
33		9166.127	- REAR ARM	1
34		9166.128	- SOLENOID MOUNT	1
40		9166.133	- TORSION SPRING	1
48		9166.140	- REAR PLATE BELT TENSION	1
55		9166.148	- PICK- UP TRAY	1
67	●	9156.734	- BUSHING	2
68	●	9174.313	- SOLENOID DC24V SL2	1
70	●	9161.947	- SCREW STEPPED M4X5	1
71		9135.369	- SCREW. STEPPED M4	2
79		9166.159	- BUSHING	2
80		9166.160	- BUSHING	2
87		9166.165	- TENSION SPRING	1
91	●	9156.201	- CLIP CABLE	1
94	●	9166.417	- GEAR 15T	1
92		9156.410	- CLIP WIRE	2
93		9166.169	- STEPPED SCREW M3X3.5	2
98		9166.170	- TENSION SPRING	2
99		9166.171	- TENSION SPRING	1
114		9166.178	- WOODRUFF STOP PLATE	1
114L		9166.179	- DAMPER SPONGE	1
125		9166.858	- IC PHOTO INTERRUPTER	1

INDEX	SP.	PART NO.	DESCRIPTION	QTY
	501	● 9155.843	- MACH.TRUSS HEAD SCREW	1
	504	9155.832	- MACH.TRUSS.HEAD SCREW	1
	505	9156.121	- SCREW TRUSS HEAD M4X6	1
	508	9156.275	- RING-E	1
	512	9158.051	- TP SCREW M3X4	1
	513	9158.302	- PIN SPRING	1
	514	9156.435	- RING-E	3
	515	9156.215	- RING-E	1
	517	9155.857	- MACH.TRUS HEAD SCREW	3
	519	9157.306	- NUT HEX M3	3

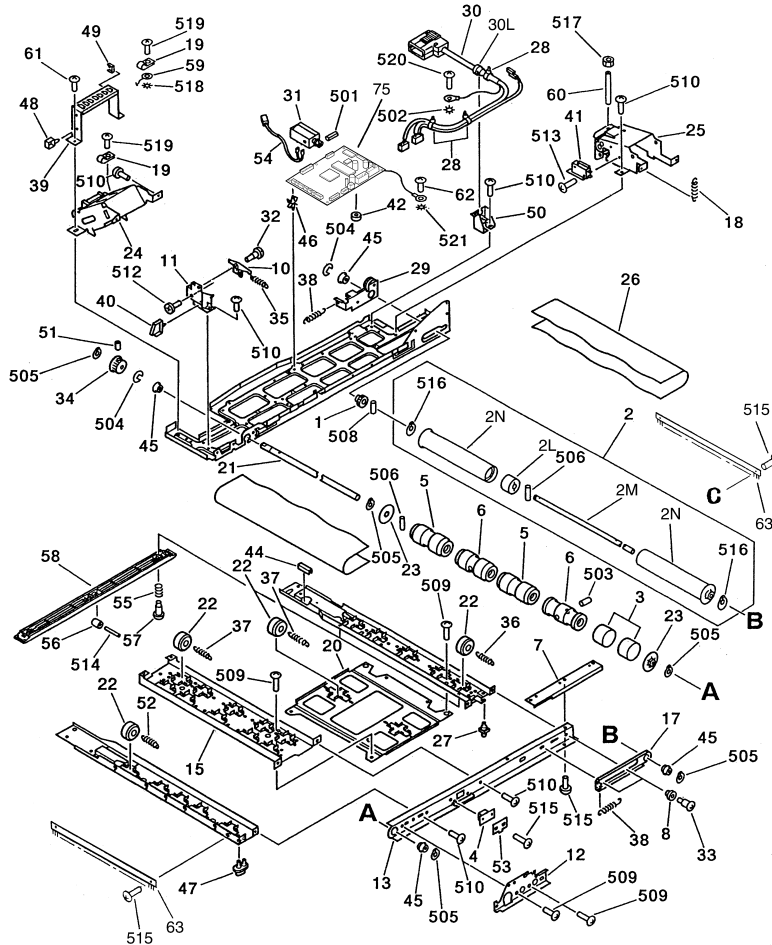
Z-1029 RF assy 4



[see "Z-1070"](#)

INDEX	SP.	PART NO.	DESCRIPTION	QTY
			RF ASSY 4	1
13	●	9166.396	- FRONT ROLLER	1
14	●	9166.397	- REAR ROLLER	1
27	●	9166.121	- JOINT	1
28		9166.122	- ROLLER SHAFT	1
50	●	9166.142	- WOODRUFF ROLLER	2
56		9166.149	- WASHER	2
66		9166.156	- BUSHING	1
67	●	9156.734	- BUSHING	1
69	●	9158.129	- BUSHING	1
74		9166.157	- COMPRESSION SPRING	1
76	●	9166.413	- PULLEY F 28T	1
81	●	9166.415	- GEAR-PULLEY 22T/28T	1
82	●	9166.416	- GEAR 20T	1
84		9166.162	- SCREW M3X2.5	2
115		9166.180	- RETAINING COLLAR2	1
119	●	9157.517	- PIN DOWEL	2
121	●	9157.136	- BUSHING	1
126		9166.866	- TIMING BELT 80T	1
504		9155.832	- MACH.TRUSS.HEAD SCREW	1
506		9155.834	- E RING	4
507		9156.885	- RING GRIP	1
508		9156.275	- RING-E	1

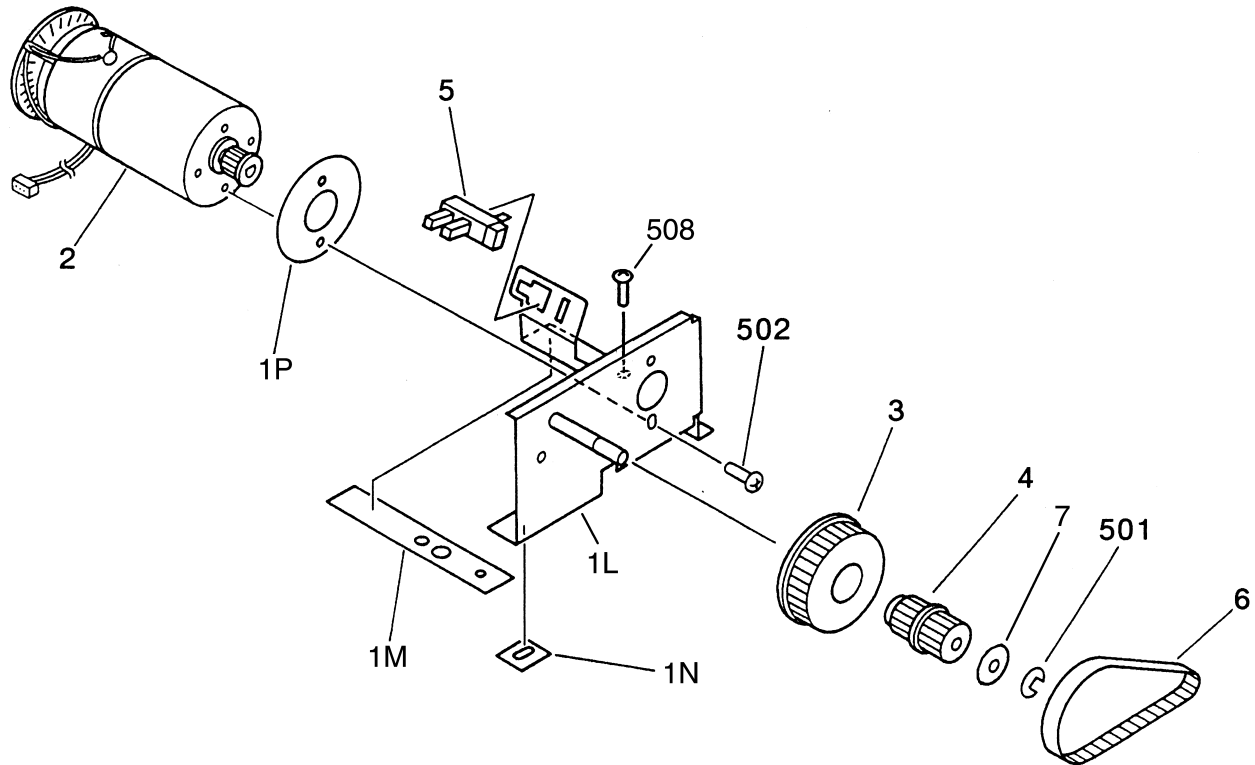
Z-1040 DF assy



INDEX	SP.	PART NO.	DESCRIPTION	QTY	INDEX	SP.	PART NO.	DESCRIPTION	QTY
			DF ASSY	1					
1	●	9166.428	- GEAR 16T	1	34	●	9166.441	- PULLEY 32T	1
2		9166.867	- FEED BELT ROLLER	1	35	●	9166.442	- TENSION SPRING	1
2L		9166.868	- IDLER ROLLER BUSHING	1	36	●	9166.443	- TENSION SPRING	4
2M		9166.869	- IDLER ROLLER SHAFT	1	37	●	9166.444	- TENSION SPRING	6
2N		9166.870	- FEED BELT IDLER ROLLER	2	38	●	9166.445	- TENSION SPRING	2
3	●	9166.430	- ROLLER BAND	8	39		9166.200	- CONNECTOR BRACKET	1
4		9161.589	- CATCH MAGNET	1	40		9166.201	- CABLE CLIP	1
5	●	9166.431	- FEED BELT DRIVE ROLLER	2	41	●	9166.446	- MICROSWITCH	1
6	●	9166.432	- FEED BELT DRIVE ROLLER	2	42		9166.202	- PBA SPACER	2
7		9166.185	- JOINT PLATE	1	44		9166.204	- GROMMET	1
8	●	9161.595	- SPACER	2	45	●	9157.396	- BEARING BALL	4
10		9166.187	- DEFLECTOR LEVER 2	1	46		9166.205	- PBA SUPPORT	4
11		9166.188	- SOLENOID HOLDER	1	47		9166.206	- FRONT FOOD RUBBER	1
12		9166.189	- PICK-UP PLATE JOINTPAPER	1	48	●	9135.105	- CLIP. CABLE	3
13		9166.190	- PLATE	1	49	●	9135.120	- CLIP. EDGE	2
15		9166.192	- CROSSMEMBER CENTER	1	50		9166.207	- CORD RETAINER	1
17		9166.194	- PLATE FRONT GUIDE	1	51		9166.208	- SETSCREW M4X8	1
18	●	9166.433	- TENSION SPRING	1	52		9166.209	- TENSION SPRING	4
19		9135.989	- CLIP. CABLE	1	53		9166.210	- GROUNDING PLATE	1
20		9166.196	- MOUNT ROLLER	1	54	●	9166.440	- SOLENOID CABLE	1
21		9166.197	- SHAFT FEED BELT	1	55		9166.872	- COMPRESSION SPRING	6
22	●	9166.434	- ROLLER	14	56		9166.873	- ROLLER	6
23	●	9166.435	- FLANGE	2	57		9166.874	- STEPPED SCREW M3	6
24	●	9166.436	- LEFT HINGE	1	58		9166.875	- BELT GUIDE	2
25	●	9166.437	- RIGHT HINGE	1	59		9166.876	- GROUNDING WIRE	1
26	●	9180.503	- FEED BELT 220V	1	60		9158.405	- SCREW ADJUSTING	1
27	●	9166.439	- RUBBER FOOD	3	62		9166.859	- SCREW MTH M3X4	1
28	●	9155.095	- CORD CLAMP	3	63		9169.957	- STATIC CHANGE ELIMINATOR	2
29		9166.198	- REAR SLIDE PLATE	1	75	●	9166.381	- RDF CONTROLLER PBA ASSY	1
30		9166.199	- INTERFACE CABLE	1	501	●	9815.560	- DOWEL PIN	1
30L		9157.583	- BUSHING	1	502		9157.628	- WASHER TOOTHED LOCK	3
31		9166.871	- DEFLECTOR SOLENOID 24V	1	503		9158.147	- SET SCREW M4X8	2
32	●	9135.334	- SCREW. STEPPED. M4	1	504		9156.275	- RING-E	2
33		9136.062	- SCREW. STEPPED. M4	2	505		9156.885	- RING GRIP	5
					506		9156.787	- PIN DOWEL	2
					508		9157.143	- PIN DOWEL	1

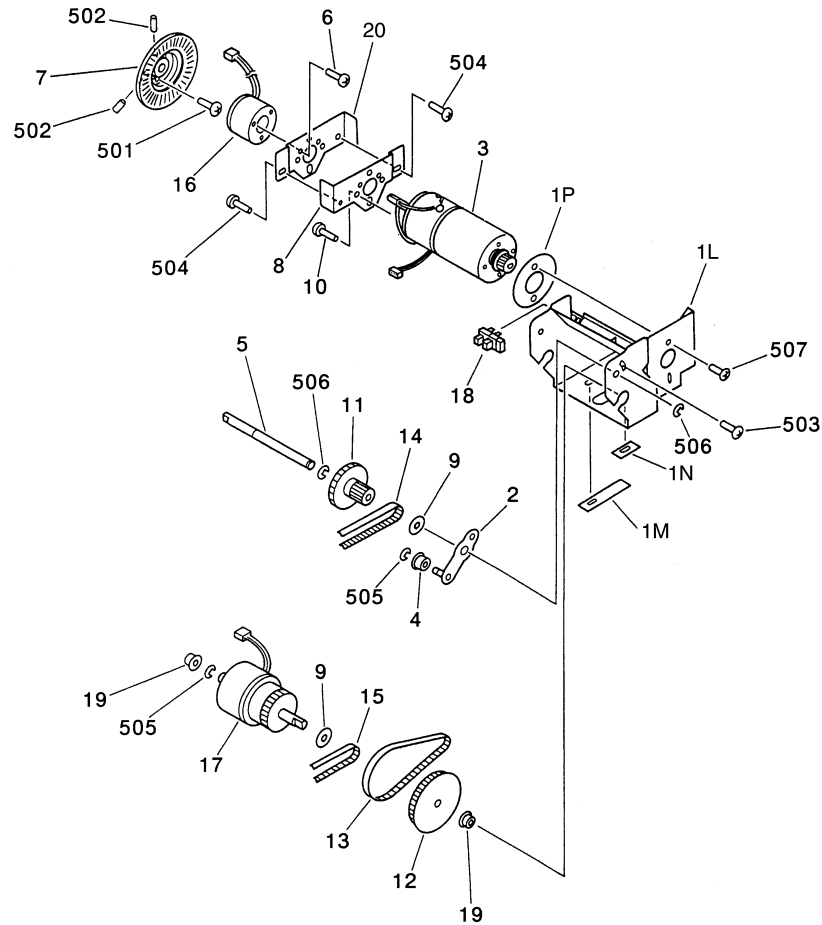
INDEX	SP.	PART NO.	DESCRIPTION	QTY
509		9156.121	- SCREW TRUSS HEAD M4X6	4
510		9156.530	- SCREW TP M4X6	7
512		9158.051	- SCREW TP M3X4	1
513		9155.833	- MACH.TRUSS.HEAD SCREW	1
514		9156.695	- PIN DOWEL	6
515		9158.148	- SCREW TP M3X6	6
516		9156.885	- RING GRIP	2
517		9157.307	- NUT HEX M4	1
518		9157.628	- WASHER TOOTHED LOCK	2
519		9166.877	- TP SCREW M4X6	2
520		9161.622	- SCREW TP TRUSS HEAD M4X6	1
521		9166.062	- TOOTHED LOCK WASHER	1

Z-1045 Paper feed motor assy



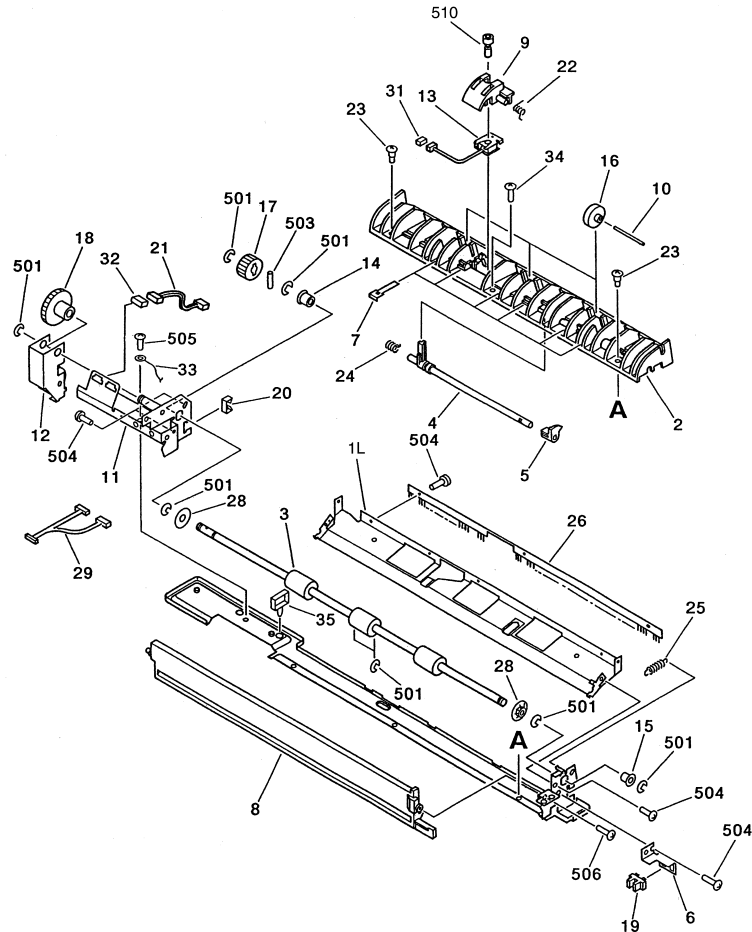
INDEX	SP.	PART NO.	DESCRIPTION	QTY
1		9166.211	PAPER FEED MOTOR ASSY	1
		9166.211	- PAPER FEED MOTOR ASSY	1
	1L	9166.212	-- MOTOR MOUNT	1
	1M	9166.213	-- RUBBER SHEET 1	1
	1N	9166.214	-- RUBBER SHEET 2	1
	1P	9166.215	-- RUBBER SHEET 3	1
	2	● 9166.447	-- MOTOR DC23V M4	1
	3	● 9166.448	-- PULLEY 1	1
	4	● 9166.449	-- PULLEY 2	1
	5	● 9166.450	-- PHOTO-INTERRUPTER S9	1
	6	● 9166.451	-- TIMING FLAT BELT 90T	1
	7	9166.223	-- PULLEY WASHER	1
	501	9157.218	-- RING-E	1
	502	● 9155.843	-- MACH.TRUSS HEAD SCREW	2
	508	9166.859	-- SCREW MTH M3X4	2

Z-1050 Belt drive motor assy



INDEX	SP.	PART NO.	DESCRIPTION	QTY
1			BELT DRIVE MOTOR ASSY	1
		● 9166.216	- BELT DRIVE MOTOR ASSY	1
	1L	9166.217	-- MOTOR MOUNT	1
	1M	9166.218	-- RUBBER SHEET 1	1
	1N	9166.219	-- RUBBER SHEET 2	1
	1P	9166.215	-- RUBBER SHEET 3	1
	2	9166.220	-- CLUTCH TENSIONING PLATE	1
	3	● 9166.452	-- MOTOR DC23V M3	1
	4	● 9166.453	-- PULLEY	1
	5	9166.221	-- SHAFT	1
	6	9156.516	-- SCREW TRUSS HEAD M3X5	3
	7	● 9166.454	-- CLOCK DISK	1
	8	9166.222	-- BRAKE MOUNT	1
	9	9166.223	-- PULLEY WASHER	2
	10	9166.224	-- MTH SCREW M3X8	2
	11	● 9166.455	-- PULLEY-GEAR 16T/40T	1
	12	● 9166.456	-- IDLER PULLEY	1
	13	● 9166.457	-- TIMING FLAT BELT 89T	1
	14	● 9174.339	-- TIMING FLAT BELT 100T	1
	15	● 9174.340	-- TIMING FLAT BELT 170T	1
	16	● 9166.460	-- ELECTROMAGNETIC BRAKE BK1	1
	17	● 9166.461	-- ELECTROMAGNETIC CLUTCH CL1	1
	18	● 9166.450	-- PHOTO-INTERRUPTER S10	1
	19	● 9157.508	-- BUSHING	2
	20	9166.222	-- BRAKE MOUNT	1
	501	9166.225	-- TTH SCREW M2X5	3
	502	9156.811	-- SET SCREW M4X4	2
	503	9166.226	-- TP SCREW M3X5	1
	504	9156.530	-- SCREW TP M4X6	2
	505	9156.435	-- RING-E	3
506	9155.834	-- E RING	2	
507	9155.843	-- MACH.TRUSS HEAD SCREW	2	

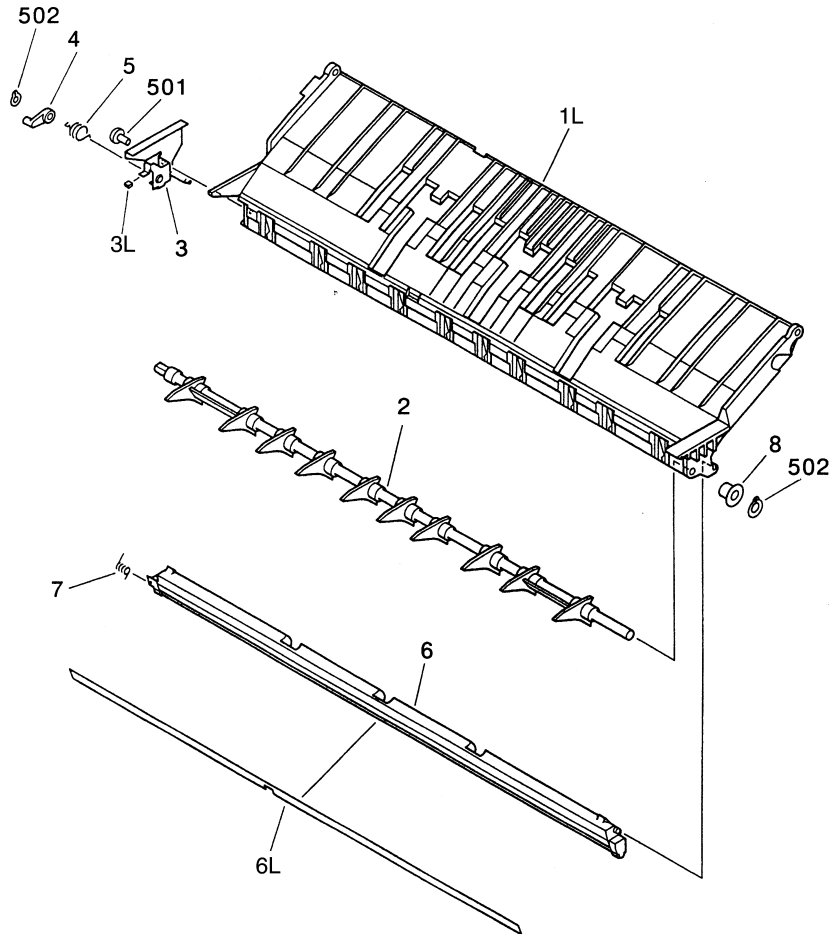
Z-1055 Right paper delivery assy



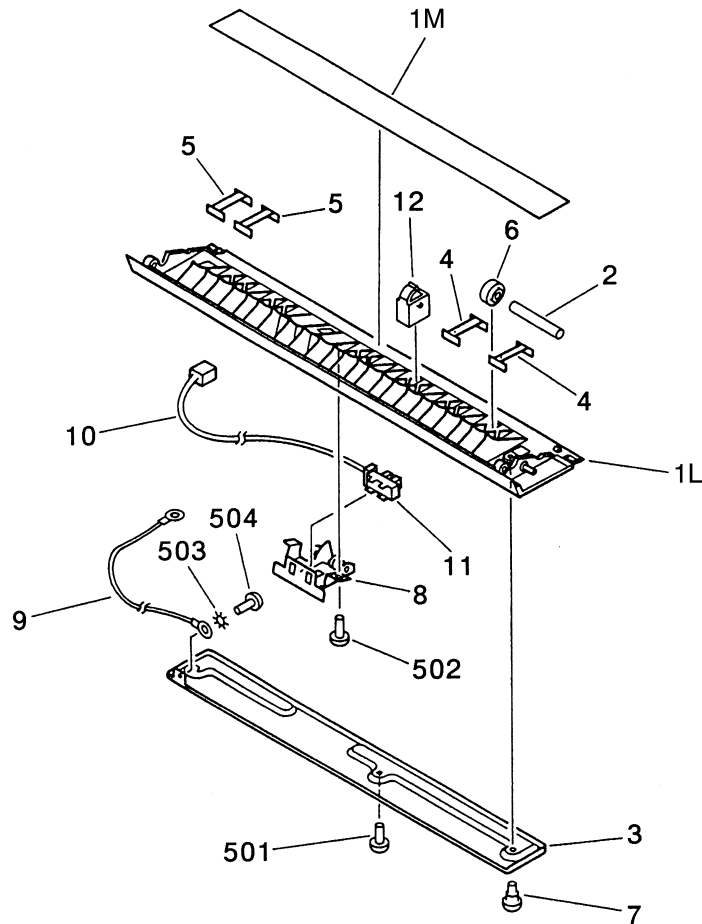
INDEX	SP.	PART NO.	DESCRIPTION	QTY
1			RIGHT PAPER DELIVERY ASSY	1
		9166.227	- RIGHT PAPER DELIVERY ASSY	1
	1L	9166.228	-- GUIDE DELIVERY UPPER	1
	2	● 9166.229	-- GUIDE DELIVERY LOWER	1
	3	● 9166.463	-- DELIVERY ROLLER	1
	4	9166.230	-- LEVER DELIVERY SENSOR	1
	5	● 9166.464	-- SENSOR FLAG	1
	6	9166.231	-- MOUNT SENSOR	1
	7	● 9166.465	-- LEAF SPRING	6
	8	● 9166.466	-- SCRAPER	1
	9	● 9166.232	-- STAMP COVER	1
	10	9166.096	-- ROD	3
	11	9166.234	-- SIDE PLATE	1
	12	9166.235	-- MOUNT SWING GEAR	1
	13	● 9166.467	-- SOLENOID DC24V SL4	1
	14	● 9158.017	-- BUSHING	1
	15	● 9157.389	-- BUSHING	1
	16	● 9166.468	-- DELIVERY ROLLER	3
	17	● 9166.469	-- GEAR 17T	1
	18	● 9166.470	-- GEAR 30T	1
	19	● 9166.858	-- PHOTO-INTERRUPTER S12	1
	20	● 9156.410	-- CLIP WIRE	2
	21	9166.236	-- CONNECTING CABLE SENSOR	1
	22	● 9166.471	-- TORSION SPRING	1
	23	9166.237	-- STEPPED SCREW	2
	24	9166.878	-- TORSION SPRING	1
	25	9166.238	-- TENSION SPRING	1
	26	● 9166.472	-- STATIC CHARGE ELIMINATOR	1
	27	● 9166.473	-- STATIC CHARGE ELIMINATOR	1
	28	9166.239	-- FLANGE	2
	29	9166.240	-- DELEVERY CABLE	1
	31	9156.203	-- CONNECTOR SNAP TIGHT	1
	32	9156.204	-- CONNECTOR SNAP TIGHT	1
	33	9166.876	-- GROUNDING WIRE	1
34	9166.859	-- SCREW MTH M3X4	1	

INDEX	SP.	PART NO.	DESCRIPTION	QTY
	35	● 9156.267	-- CLAMP	2
	501	9155.834	-- E RING	5
	502	9156.275	-- RING-E	1
	503	9157.143	-- PIN DOWEL	1
	504	9155.832	-- MACH.TRUSS.HEAD SCREW	8
	505	9156.121	-- SCREW TRUSS HEAD M4X6	1
	506	9156.276	-- SCREW MTH 3X6	1
	510	● 9166.474	- STAMP	1

Z-1060 Upper paper guide assy

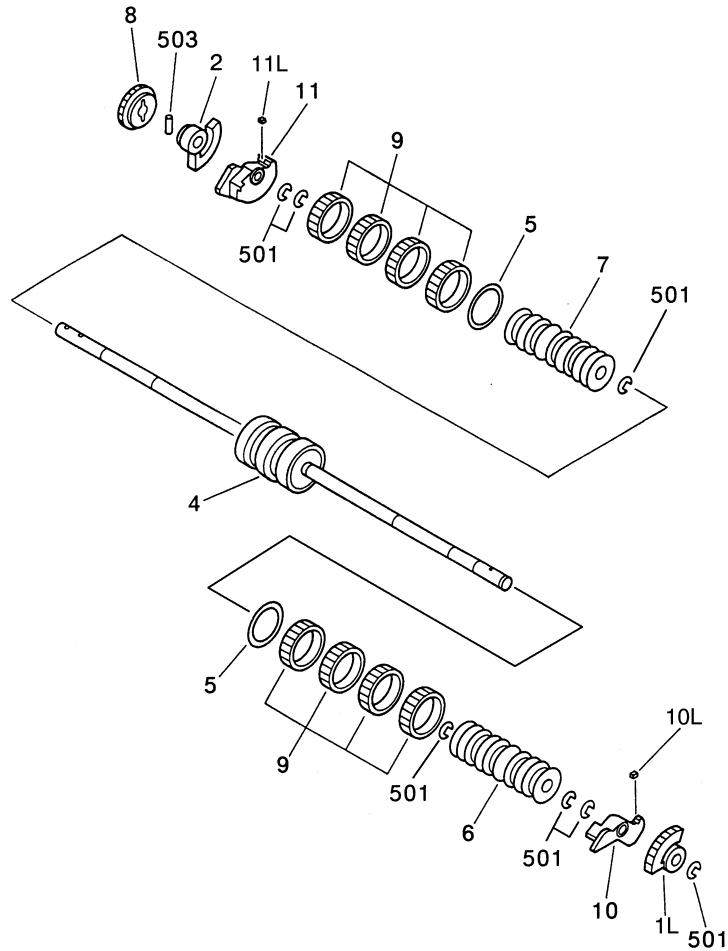


INDEX	SP.	PART NO.	DESCRIPTION	QTY
1			UPPER PAPER GUIDE ASSY	1
		9166.241	- UPPER PAPER GUIDE ASSY	1
	1L	9166.242	-- UPPER GUIDE	1
	2	9166.243	-- REVERSE FLAPPER	1
	3	9166.244	-- MOUNTING PLATE FLAPPER	1
	3L	9166.245	-- CAP	1
	4	9166.246	-- FLAPPER ARM	1
	5	● 9166.475	-- TORSION SPRING	1
	6	9166.247	-- FRONT REGISTRATION GUIDE	1
	6L	9166.248	-- MYLAR	1
	7	● 9166.476	-- TORSION SPRING	1
	8	9166.159	-- BUSHING	1
	501	9165.345	-- TAPPING TH SCREW M3X6	1
	502	9157.737	-- RING GRIP	2

Z-1065 Lower paper guide assy

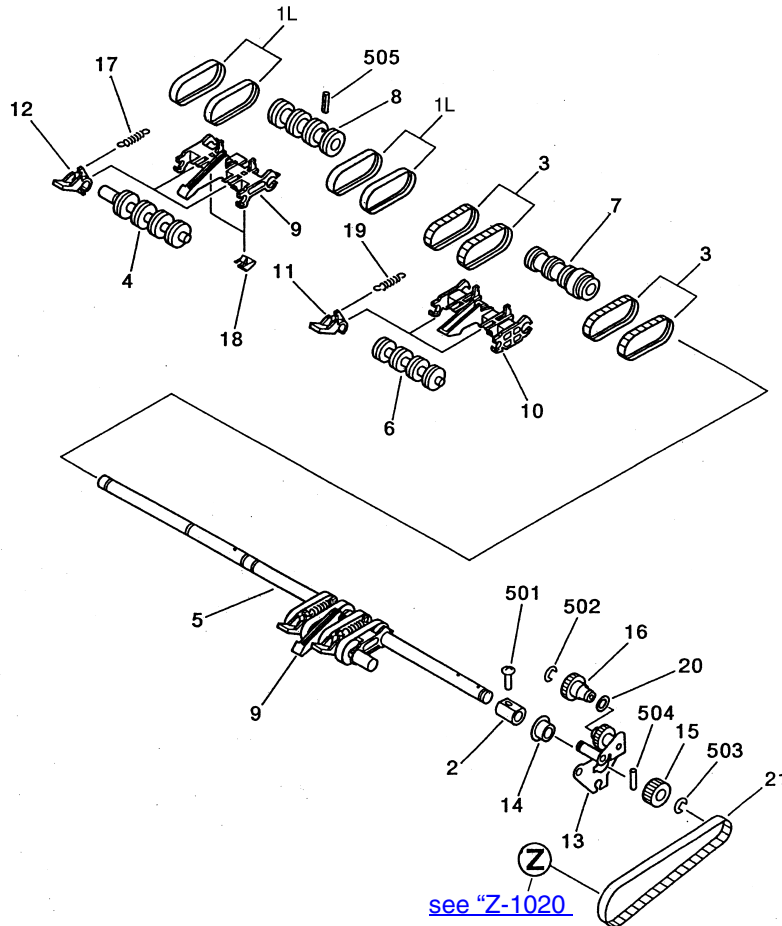
INDEX	SP.	PART NO.	DESCRIPTION	QTY
1			LOWER PAPER GUIDE ASSY	1
		● 9166.250	- LOWER PAPER GUIDE ASSY	1
	1L		-- LOWER PAPER GUIDE	1
	1M		-- MYLAR	1
	2		-- ROD	5
	3		-- LOWER CROSSMEMBER	1
	4	● 9166.477	-- LEAF SPRING 1	4
	5	● 9166.478	-- LEAF SPRING 2	6
	6	● 9166.479	-- ROLLER	5
	7		-- STEPPED SCREW M3X1.4	2
	8		-- SENSOR LEVER UNIT	1
	9		-- GROUNDING WIRE	1
	10		-- SENSOR CONNECTING CABLE	1
	11	● 9161.818	-- PHOTO-INTERRUPTER	1
	12		-- LIB GUIDE 1	1
	501		-- SCREW TRUSS HEAD M3X6	1
	502		-- TAPPING TH SCREW M3X6	1
	503		-- TOOTHED LOCK WASHER	1
	504		-- MTH SCREW M3X3	1

Z-1070 Separation roller assy



INDEX	SP.	PART NO.	DESCRIPTION	QTY
1		9166.262	SEPARATION ROLLER ASSY	1
		-	SEPARATION ROLLER ASSY	1
	1L	● 9166.480	-- GEAR 6T	1
	2	● 9166.481	-- GEAR 6T	1
	4	● 9166.482	-- SEPARATION ROLLER	1
	5	● 9166.483	-- ROLLER 2	2
	6	● 9166.484	-- DRIVE ROLLER 1	1
	7	● 9166.485	-- DRIVE ROLLER 2	1
	8	● 9166.486	-- GEAR 25T	1
	9	● 9158.933	-- ROLLER	8
	10	9166.263	-- GUIDE FRONT ARM	1
	10L	● 9166.487	-- DAMPER	1
	11	9166.264	-- GUIDE REAR ARM	1
	11L	● 9166.487	-- DAMPER	1
	501	9156.275	-- RING-E	8
	503	9158.512	-- DOWEL PIN	1

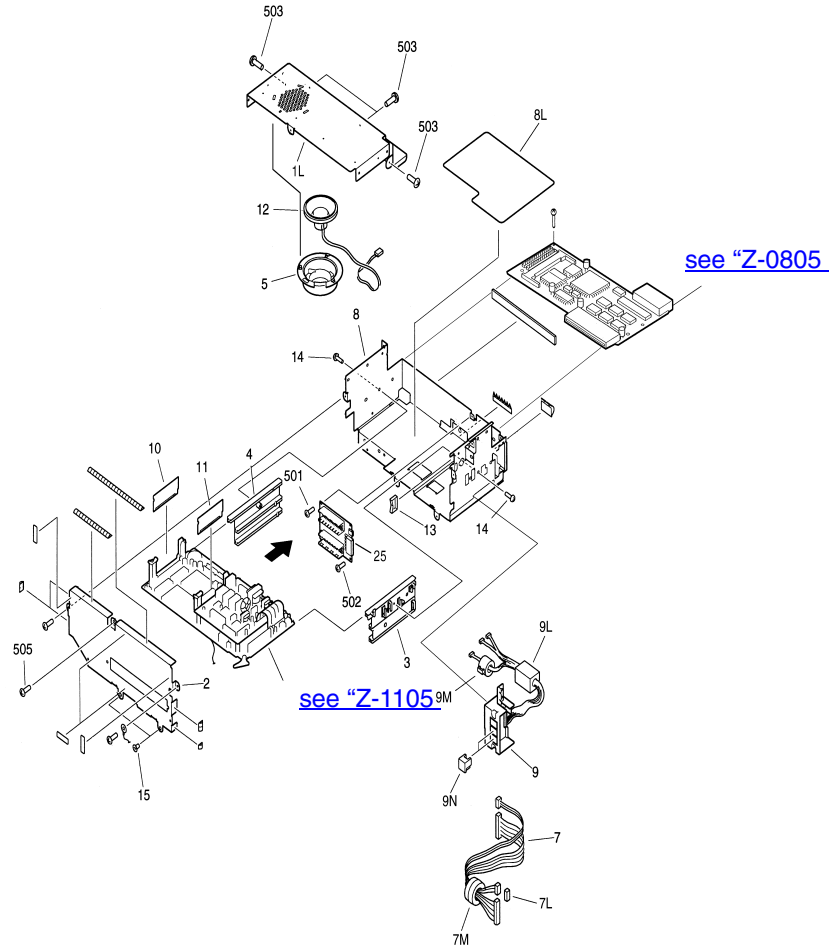
Z-1075 Paper separation assy



INDEX	SP.	PART NO.	DESCRIPTION	QTY
1			PAPER SEPARATION ASSY	1
		9166.265	- PAPER SEPARATION ASSY	1
	1L	● 9166.880	-- BELT SEPARATION	8
	2	9166.266	-- RETAINING COLLAR	1
	3	9166.267	-- SEPARATION BELT	4
	4	9166.268	-- BELT SIDE ROLLER	2
	5	● 9166.488	-- DRIVE SHAFT	1
	6	● 9166.489	-- ROLLER	1
	7	● 9166.490	-- PULLEY	1
	8	● 9166.491	-- PULLEY	2
	9	9166.269	-- SEPARATION SIDE BRACKET	2
	10	9166.270	-- SEPARATION CENTER BRACKET	1
	11	9166.271	-- ARM CENTER BRACKET	2
	12	9166.272	-- BRACKET ARM SIDE	4
	13	9166.273	-- SEPARATION SIDE PLATE	1
	14	● 9157.136	-- BUSHING	1
	15	● 9166.492	-- GEAR 20T	1
	16	● 9166.493	-- GEAR-PULLEY 16T/15T	1
	17	● 9166.494	-- TENSION SPRING	4
	18	● 9166.495	-- LEAF SPRING	4
	19	● 9166.496	-- TENSION SPRING	2
	20	9166.274	-- FLANGE	1
	21	9166.426	-- TIMING BELT 132T	1
	501	● 9155.843	-- MACH.TRUSS HEAD SCREW	1
	502	9155.834	-- E RING	3
	503	9156.275	-- RING-E	2
504	9157.143	-- PIN DOWEL	1	
505	9157.056	-- PIN SPRING	2	

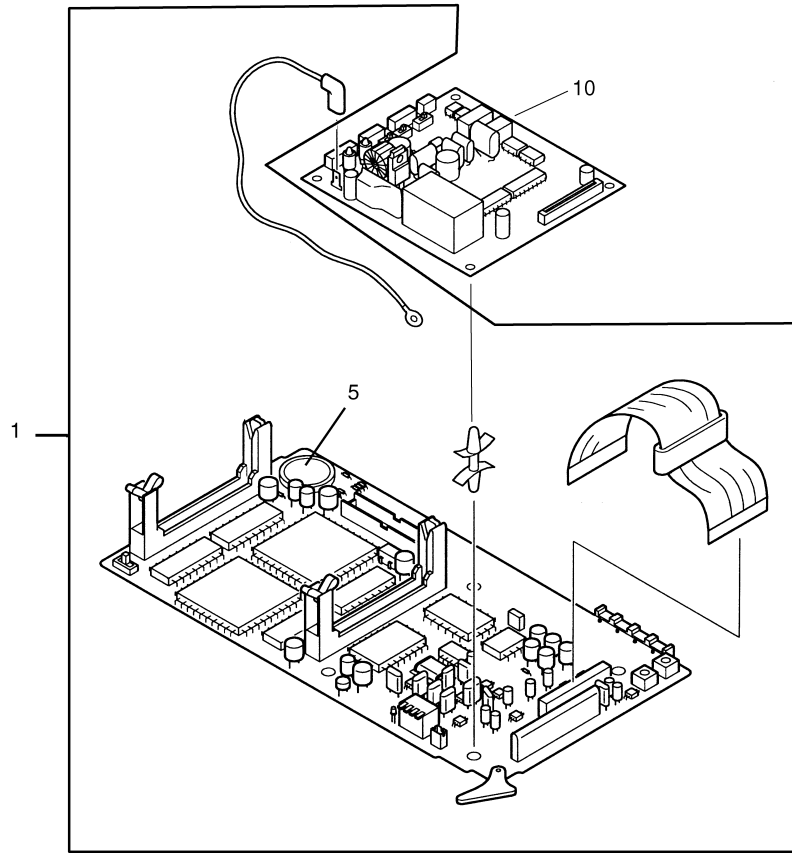
11. Digital document handling

Z-1100 Fax assy



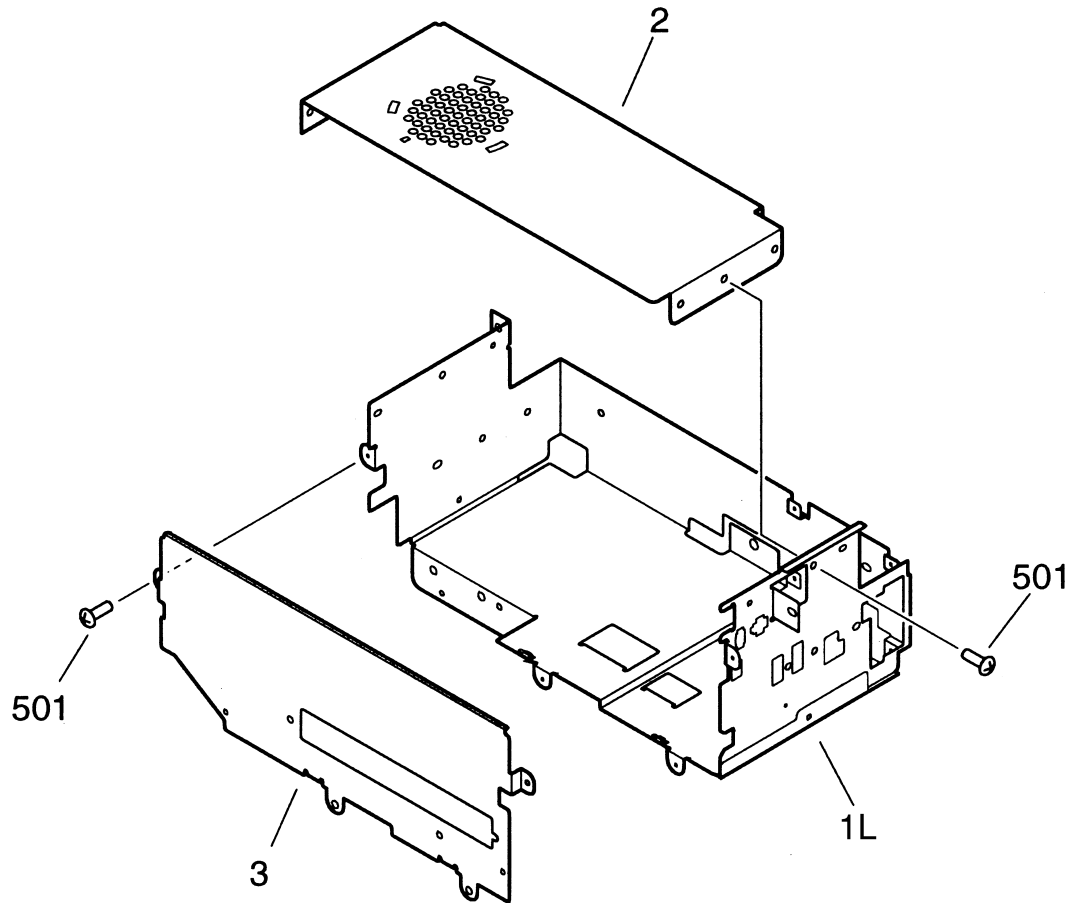
INDEX	SP.	PART NO.	DESCRIPTION	QTY
			FAX ASSY	1
1		9165.437	- FAX ASSY	1
	1L	9165.438	-- UPPER CASE COVER	1
	3	9165.440	-- RAIL 1	1
	4	9165.441	-- RAIL 2	1
	5	9165.442	-- SPEAKER HOLDER	1
	7	9165.443	-- PBA CONNECTING CABLE 2	1
	7L	9156.204	-- CONNECTOR SNAP TIGHT	1
	7M	9165.302	-- CORE	1
	8	9165.446	-- PBA CASE	1
	8L	9165.447	-- INSULATION SHEET	1
	9	9165.448	-- MODULAR PBA UNIT	1
	9L	9165.449	-- SLEEVE FERRITE CLAMP	1
	9M	9165.450	-- FERRITE CORE	1
	9N	9165.451	-- MODULAR SPACER	2
	12	9165.454	-- SPEAKER	1
	13	● 9156.201	-- CLIP CABLE	1
	14	● 9156.651	-- SCREW M3X8	2
	25	● 9165.177	-- FAX MOTHER BOARD PBA ASSY	1
	501	9156.532	-- SCREW TRUSS HEAD M3X6	1
	502	9156.532	-- SCREW TRUSS HEAD M3X6	6
	503	9156.532	-- SCREW TRUSS HEAD M3X6	4
	505	9156.532	-- SCREW TRUSS HEAD M3X6	1
	2	● 9165.439	- FRONT CASE COVER	1
	10	9165.452	- DIMM FAX EXTENTION B/9MB	1
	11	9165.453	- DIMM FAX EXTENTION A/3MB	1
	15	9165.455	- FH MACH SCREW M3X4	2

Z-1105 Fax board PBA



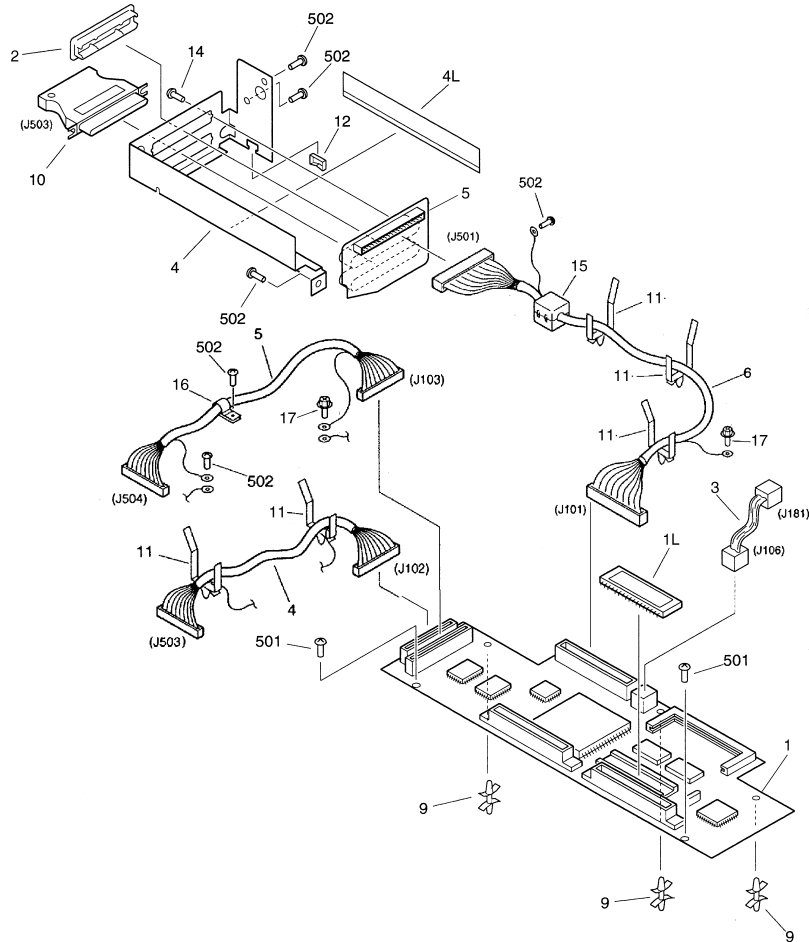
INDEX	SP.	PART NO.	DESCRIPTION	QTY
			FAX BOARD PBA	1
1	●	9165.456	- FAX BOARD PBA ASSY FR	1
5		9165.460	- - LITHIUM BATTERY	1
10	●	9165.461	- NCU BOARD PBA ASSY FR	1

Z-1110 Board case assy



INDEX	SP.	PART NO.	DESCRIPTION	QTY
1			BOARD CASE ASSY	1
		9165.463	- BOARD CASE ASSY	1
	1L	9165.464	-- CASE PBA	1
	2	9165.465	-- CASE UPPER COVER	1
	3	9165.466	-- CASE FRONT COVER	1
	502	9156.532	-- SCREW TRUSS HEAD M3X6	4

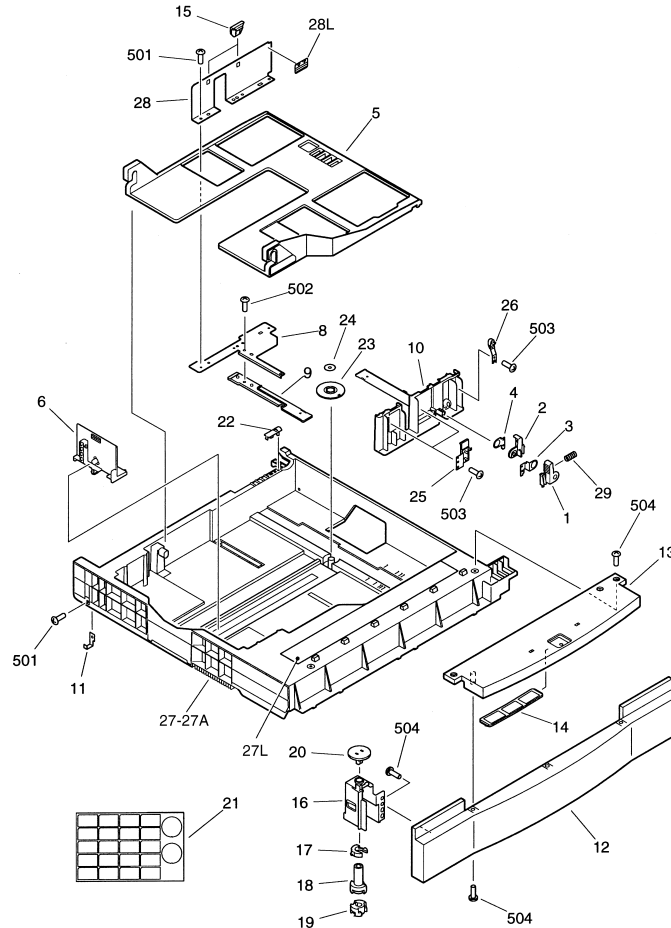
Z-1115 SCSI board PBA assy



INDEX	SP.	PART NO.	DESCRIPTION	QTY
			SCSI BOARD PBA ASSY	1
1	●	9165.467	- SCSI BOARD PBA	1
1L		9165.469	- - IC EP-ROM	1
2		9165.468	- CONNECTOR COVER	1
3		9165.470	- POWER CONNECTING CABLE	1
4		9165.471	- CONNECTOR MOUNT	1
4L		9165.472	- EDGE PROTECT SHEET	1
5		9165.473	- SCSI/IF BOARD PBA ASSY	1
6		9165.474	- SHIELD CABLE 1	1
7		9165.475	- SHIELD CABLE 2	1
8	●	9165.476	- SHIELD CABLE 3	1
9		9165.477	- PBA SPACER	3
10		9165.478	- SCSI TERMINATOR	1
11	●	9156.205	- CLAMP CABLE	4
12	●	9155.042	- WIRE CLIP	1
13		9165.479	- CABLE CLAMP	1
14		9165.480	- SCREW M2X4	4
15		9166.058	- FERRITE CORE	1
16		9180.501	- CLAMP, CABLE	1
17		9156.090	- SCREW RS, M4X8	2
101	●	9173.978	- FUSE 1A 48V	1
501		9156.121	- SCREW TRUSS HEAD M4X6	2
502		9165.481	- SCREW W/WASHER M4X6	7

12. Papertrays

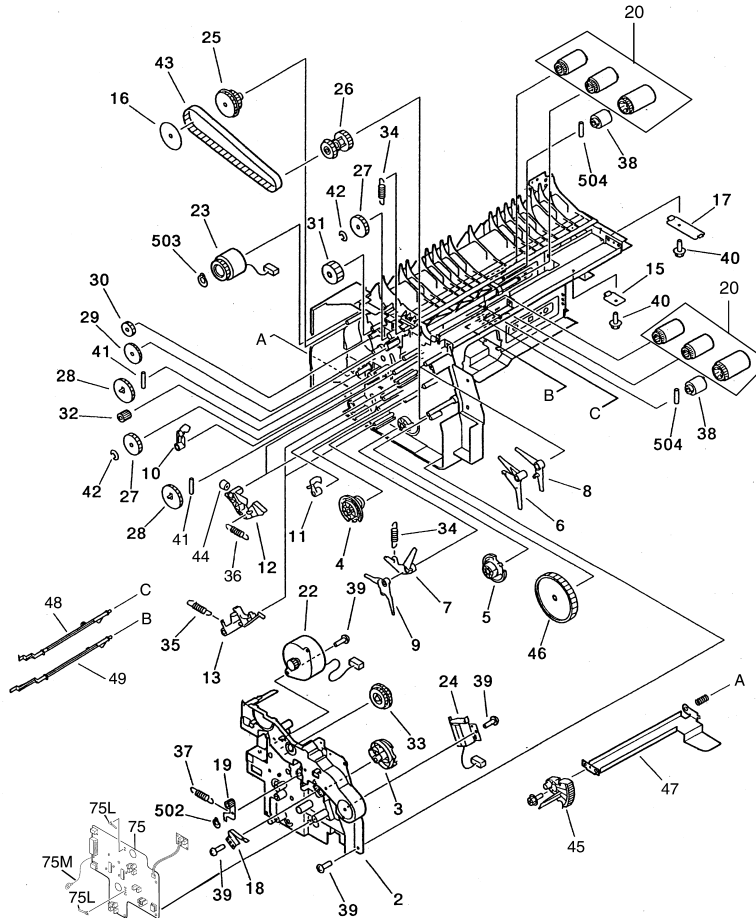
Z-1200 Cassette



INDEX	SP.	PART NO.	DESCRIPTION	QTY
			CASSETTE	1
1		9165.482	- STOP BLOCK 1	1
2		9165.483	- STOP BLOCK 2	1
3		9165.484	- STOP PLATE 1	1
4		9165.485	- STOP PLATE 2	1
5		9165.486	- PLATE PAPER LIFTING	1
6		9165.487	- PLATE PAPER SIZE END	1
8		9165.489	- PLATE SIZE END	1
9		9165.490	- RACK MANUAL	1
10		9165.491	- FRONT PLATE SIZE END	1
11		9165.492	- STOP PLATE	2
12		9165.493	- CASSETTE COVER	1
13		9165.494	- CASSETTE LATCH UNIT	1
14		9165.495	- SIZE PLATE	1
15		9165.496	- SIDE CLAW	2
16		9165.497	- CAM HINGE	1
17		9165.498	- CAM 1 SIZE SENSOR	1
18		9165.499	- CAM 2 SIZE SENSOR	1
19		9165.500	- CAM 3 SIZE SENSOR	1
20		9165.501	- KNOB CASSETTE SIZE SENSOR	1
21	●	9165.502	- LABEL "CASSETTE SIZE"	1
22		9165.503	- SLIDER BLOCK	1
23		9165.504	- GEAR 20T	1
24		9165.505	- GEAR STOP RING	1
25		9165.506	- SIDE BLOCK 2	2
26		9165.507	- SIDE BLOCK 1	1
27		9165.508	- CASSETTE BODY LARGE SIZE	1
27A	●	9165.509	- CASSETTE BODY MIDDLE SIZE	1
27L		9165.510	- LABEL "PAPER SUPPLY"	1
28		9165.511	- REAR PLATE SIZE END	1
28L		9165.512	- LABEL "PAPER HEIGHT"	1
29		9165.513	- COMPRESSION SPRING	1
501		9155.832	- MACH.TRUSS.HEAD SCREW M3X4	5
502	●	9155.843	- MACH.TRUSS HEAD SCREW M3X6	2

INDEX	SP.	PART NO.	DESCRIPTION	QTY
	503	9165.345	- TAPPING TH SCREW M3X6	3
	504	9161.775	- SCREW TP TR HEAD M4X12	6

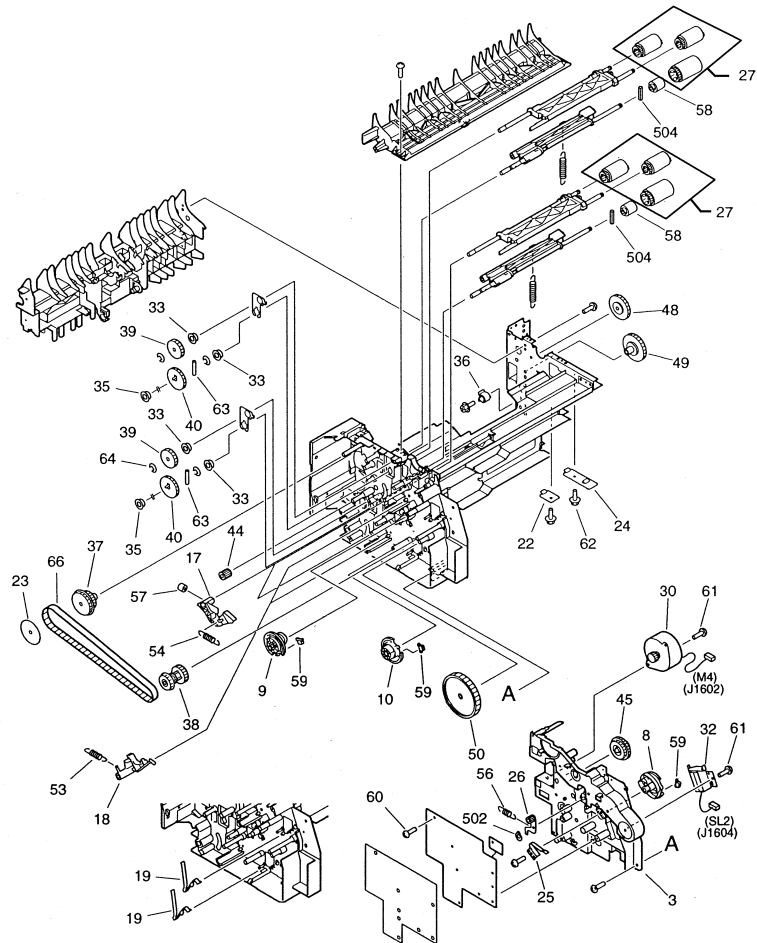
Z-1205 Paper pick-up assy, up to 3121.03000



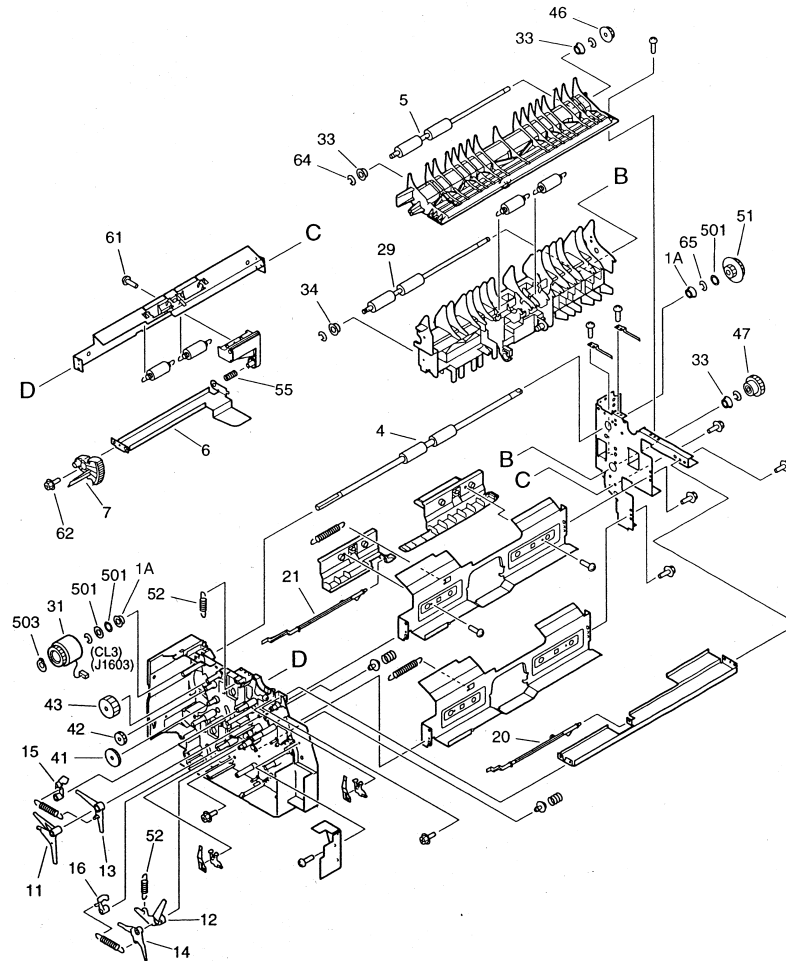
INDEX	SP.	PART NO.	DESCRIPTION	QTY
			PAPER PICK-UP ASSY, UP TO 3121.03000	1
1	●	9180.675	- PAPER PICK-UP ASSY	1
2		9165.523	-- COVER FRAME	1
3	●	9165.218	-- CAM PICK-UP ROLLER	1
4	●	9165.215	-- CAM LIFT-UP UPPER	1
5	●	9165.219	-- CAM LIFT-UP LOWER	1
6		9165.524	-- LIFTER ARM UPPER	1
7		9165.525	-- LIFTER ARM LOWER	1
8		9165.526	-- LIFTER LEVER UPPER	1
9		9165.527	-- LIFTER LEVER LOWER	1
10		9165.528	-- LOCK LEVER UPPER	1
11		9165.529	-- LOCK LEVER LOWER	1
12	●	9165.530	-- CLAW LIFTER ARM	1
13	●	9165.531	-- CLAW LIFTER LOCK	2
15		9165.533	-- GUIDE LOWER CASSETTE	1
16		9165.534	-- PLATE BELT SUPPORT	1
17		9165.535	-- GUIDE UPPER CASSETTE	1
18		9165.536	-- LEAF SPRING	1
19		9165.537	-- TENSION PLATE	1
20	●	9180.670	-- PAPER PICK-UP ROLLER SET	2
22	●	9165.081	-- STEPPING MOTOR M4	1
23	●	9165.182	-- ELECTROMAGNETIC CLUTCH CL3	1
24	●	9165.184	-- SOLENOID SL2	1
25	●	9165.092	-- PULLEY 28T/60T	1
26	●	9165.093	-- PULLEY 32T/40T	1
27		9165.539	-- GEAR 35T	2
28		9165.540	-- GEAR 42T	2
29		9165.541	-- GEAR 35T	1
30		9165.542	-- GEAR 24T	1
31		9165.543	-- GEAR 35T	1
32		9165.544	-- GEAR 14T	1
33		9165.545	-- GEAR 35T/44T	1
34	●	9165.205	-- PICK- UP SPRING	2
35	●	9165.206	-- LOCK SPRING	2

INDEX	SP.	PART NO.	DESCRIPTION	QTY
36	●	9165.207	-- ARM SPRING	2
37		9165.546	-- TENSION SPRING	1
38	●	9165.213	-- TORQUE LIMITER	2
39	●	9156.651	-- SCREW M3X8	20
40	●	9156.196	-- SCREW RS M3X8	16
41	●	9157.517	-- PIN DOWEL	2
42		9165.421	-- E-RING	8
43	●	9165.217	-- TIMING BELT	1
44		9166.805	-- DAMPER	2
45	●	9166.883	-- RATCHET GEAR	1
46		9166.886	-- GEAR 86T	1
47		9166.882	-- PAPER SUPPORT PLATE	1
48		9166.884	-- SENSOR ARM 1	1
49		9166.885	-- SENSOR ARM 2	1
75	●	9165.173	-- PAPER PICK-UP PBA ASSY	1
75L	●	9165.133	--- LEAF SPRING	2
75M		9165.520	--- GROUDING CABLE	1
501		9156.974	-- SCREW TP TRUSS HEAD M3X8	4
502		9157.737	-- RING GRIP	1
503		9156.885	-- RING GRIP	1
504		9157.056	-- PIN SPRING	4
505		9166.887	-- SCREW TTH M3X6	1

Z-1207 Paper pick-up assy, from 3121.03000
and for 3122 (FIGURE 1 OF 2)

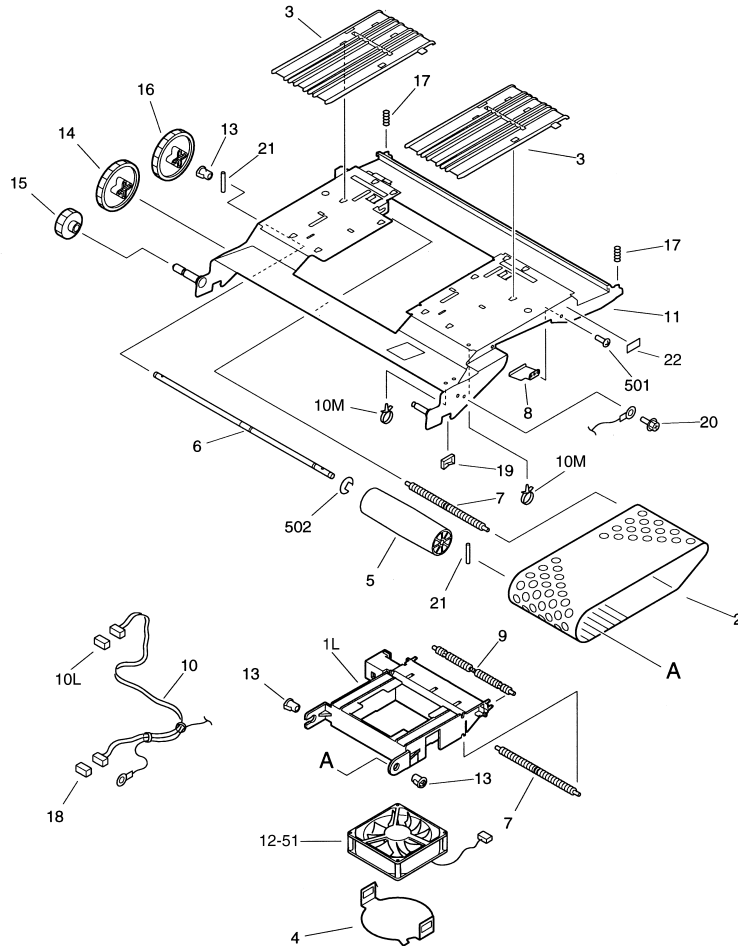


Z-1207 Paper pick-up assy, from 3121.03000
and for 3122 (FIGURE 2 OF 2)



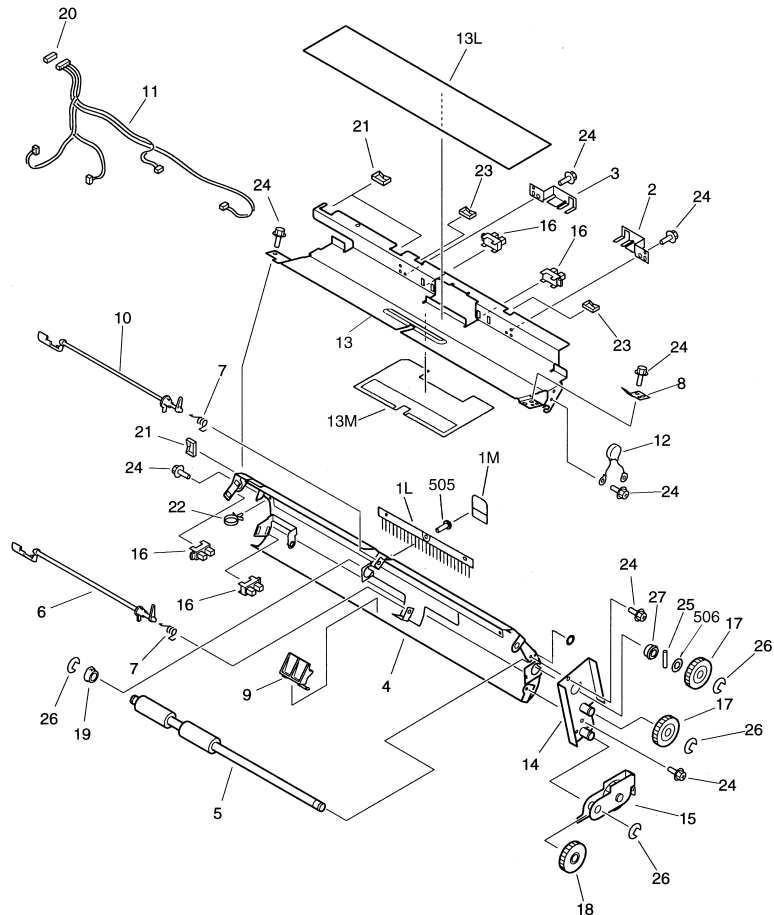
INDEX	SP.	PART NO.	DESCRIPTION	QTY	INDEX	SP.	PART NO.	DESCRIPTION	QTY	
1			PAPER PICK-UP ASSY, FROM 3121.03000 AND FOR 3122	1		●	9165.664	-- BUSHING	1	
		●	9180.677	- PAPER PICK-UP ASSY	1	37	●	9165.092	-- PULLEY 28T/60T	1
	1A	●	9155.550	-- BUSHING	2	38	●	9165.093	-- PULLEY 32T/40T	1
	3		9165.523	-- COVER FRAME	1	39		9165.539	-- GEAR 35T	2
	4	●	9166.898	-- VERTICALPATH ROLLER 2	1	40		9165.540	-- GEAR 42T	2
	5	●	9166.899	-- UPPERPAPER FEED ROLLER	1	41		9165.541	-- GEAR 35T	1
	6		9166.882	-- PAPER SUPPORT PLATE	2	42		9165.542	-- GEAR 24T	1
	7	●	9166.883	-- RATCHET GEAR	2	43		9165.543	-- GEAR 35T	1
	8	●	9165.218	-- CAM PICK-UP ROLLER	1	44		9165.544	-- GEAR 14T	1
	9	●	9165.215	-- CAM LIFT-UP UPPER	1	45		9165.545	-- GEAR 35T/44T	1
	10	●	9165.219	-- CAM LIFT-UP LOWER	1	46		9166.903	-- GEAR 16T	1
	11		9165.524	-- LIFTER ARM UPPER	1	47		9166.901	-- GEAR 28T	1
	12		9165.525	-- LIFTER ARM LOWER	1	48		9166.904	-- GEAR 38T	1
	13		9165.526	-- LIFTER LEVER UPPER	1	49		9166.905	-- GEAR 42T	1
	14		9165.527	-- LIFTER LEVER LOWER	1	50		9166.886	-- GEAR 86T	1
	15		9165.528	-- PICK LOCK LEVER UPPER	1	51		9166.990	-- 16T/18T GEAR	1
	16		9165.529	-- LOCK LEVER LOWER	1	52	●	9165.205	-- PICK-UP SPRING	2
	17	●	9165.530	-- CLAW LIFTER ARM	2	53	●	9165.206	-- LOCK SPRING	2
	18		9165.531	-- CLAW LIFTER LOCK	2	54		9173.804	-- TENSION SPRING	2
	19	●	9173.793	-- LEAF SPRING	2	55		9166.906	-- COMPRESSION SPRING	2
	20		9166.884	-- SENSOR ARM 1	1	56		9165.546	-- TENSION SPRING	1
	21		9166.885	-- SENSOR ARM 2	1	57		9166.805	-- DAMPER	2
	22		9165.533	-- GUIDE LOWER CASSETTE	1	58	●	9165.213	-- TORQUE LIMITER	2
	23		9165.534	-- PLATE BELT SUPPORT	1	59		9173.810	-- GEAR 3T	3
	24		9165.535	-- GUIDE UPPER CASSETTE	1	60	●	9156.651	-- SCREW M3X8	2
	25		9165.536	-- LEAF SPRING	1	61	●	9156.651	-- SCREW M3X8	15
	26		9165.537	-- TENSION PLATE	1	62	●	9156.196	-- SCREW RS M3X8	16
	27	●	9180.670	-- PAPER PICK-UP ROLLER SET	2	63	●	9157.517	-- PIN DOWEL	2
	29	●	9166.900	-- PAPER FEED ROLLER	1	64		9165.421	-- E-RING	6
	30	●	9165.081	-- STEPPING MOTOR	1	65		9165.361	-- E-RING	2
	31	●	9165.182	-- ELECTROMAGNETIC CLUTCH	1	66	●	9165.217	-- TIMING BELT	1
	32	●	9165.184	-- SOLENOID	1	501		9170.129	-- SHIM	1
	33	●	9157.022	-- BUSHING	4	502		9157.737	-- RING GRIP	1
	34		9166.989	-- BUSHING	2	503		9156.885	-- RING GRIP	1
	35	●	9157.036	-- BUSHING	2	504		9157.056	-- PIN SPRING	4

Z-1210 Feeder assy



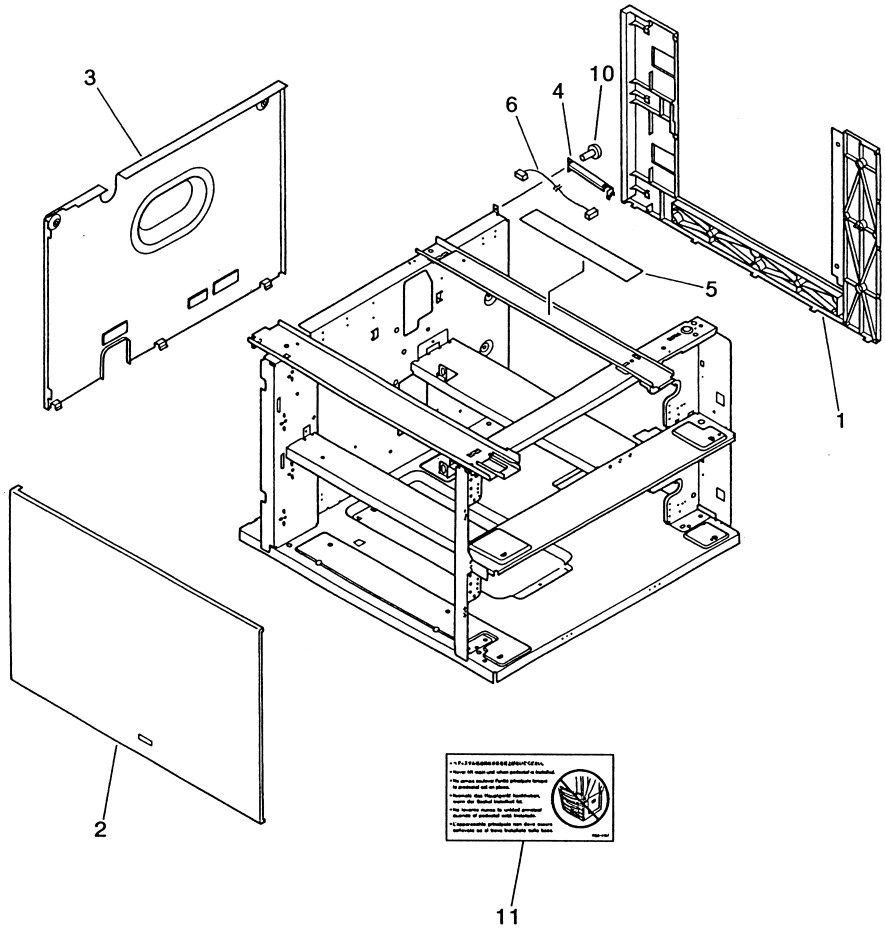
INDEX	SP.	PART NO.	DESCRIPTION	QTY
			FEEDER ASSY	1
1		● 9165.547	- FEEDER ASSY (FOR 3121)	1
	1L	9165.548	-- FEEDER FRAME	1
	2	● 9165.047	-- PAPERFEED BELT	1
	3	9165.549	-- PAPER FEED GUIDE	2
	4	9165.550	-- DUCT PLATE (FOR 3121)	1
	5	● 9165.048	-- PAPERFEED PULLEY	4
	6	9165.551	-- PAPERFEED SHAFT	1
	7	● 9165.049	-- BELT IDLER ROLLER 1	2
	8	9165.552	-- MAGNET PLATE	2
	9	● 9165.050	-- BELT IDLER ROLLER 2	1
	10	9165.553	-- PAPERFEED CABLE	1
	10L	9156.203	-- CONNECTOR SNAP TIGHT	1
	10M	● 9155.095	-- CORD CLAMP	2
	11	9165.554	-- PAPERFEED CROSSMEMBER	1
	12	● 9165.085	-- FAN MOTOR FM1 (FOR 3121)	1
	13	9165.555	-- BUSHING	3
	14	9165.556	-- GEAR 56T	1
	15	9165.557	-- GEAR 30T	1
	16	9165.558	-- GEAR 56T	1
	17	9165.559	-- COMPRESSION SPRING	2
	19	● 9156.201	-- CLIP CABLE	1
	20	● 9156.091	-- SCREW RS M4X8	1
	21	9165.560	-- DOWEL PIN	2
	22	9165.836	-- LABEL "HIGH VOLTAGE"	1
	501	● 9155.843	-- MACH.TRUSS HEAD SCREW M3X6	2
	502	9155.834	-- E RING	1
	18	9156.203	- CONNECTOR SNAP TIGHT	1
50		9166.971	- FEEDER ASSY (FOR 3122)	1
	51	9166.991	-- FAN, MOTOR (FOR 3122)	1

Z-1215 Regist. front guide assy



INDEX	SP.	PART NO.	DESCRIPTION	QTY
1			REGIST. FRONT GUIDE ASSY	1
		● 9165.561	- REGIST. FRONT GUIDE ASSY	1
	1L	● 9165.122	-- STATIC CHARGE ELIMINATOR	1
	1M	9166.994	-- SHEET, REGISTR. FRONT GUIDE	1
	2	9165.562	-- SENSOR PLATE FRONT	1
	3	9165.563	-- SENSOR PLATE REAR	1
	4	9165.564	-- GUIDE REGISTRATION LOWER	1
	5	● 9165.123	-- REGISTRATION ROLLER	1
	6	● 9165.126	-- SENSOR ARM	1
	7	● 9165.127	-- TORSION SPRING	2
	8	9165.565	-- LEAF SPRING	1
	9	● 9165.134	-- SENSOR SUPPORT	1
	10	● 9165.135	-- SENSOR ARM 2	1
	11	9165.566	-- REGISTRATION CABLE FRONT	1
	12	9165.567	-- VARISTOR UNIT	1
	13	9165.568	-- GUIDE REGISTRATION UPPER	1
	13L	● 9165.124	-- UPPER GUIDE SHEET	1
	13M	9166.993	-- SHEET, LOWER GUIDE	1
	14	9165.570	-- DRIVE PLATE	1
	15	9165.571	-- SWING PLATE	1
	16	● 9156.175	-- IC PHOTO-MICROSENSOR	4
	17	● 9136.161	-- GEAR. 28T	2
	18	9165.572	-- GEAR 28T	1
	19	9165.573	-- BUSHING	1
	20	9156.459	-- CONNECTOR SNAP TIGHT	1
	21	● 9156.201	-- CLIP CABLE	3
	22	● 9156.200	-- CLAMP	1
	23	9165.277	-- CABLE CLIP	2
	24	9156.690	-- SCREW M3X6	9
	25	● 9156.722	-- PIN DOWEL	1
26	9165.361	-- E- RING	4	
27	9165.574	-- BEARING BALL	1	
505	9170.646	-- SCREW, W/WASHER M3X6	1	
506	9173.620	-- SHIM	1	

Z-1250 Panels external covers

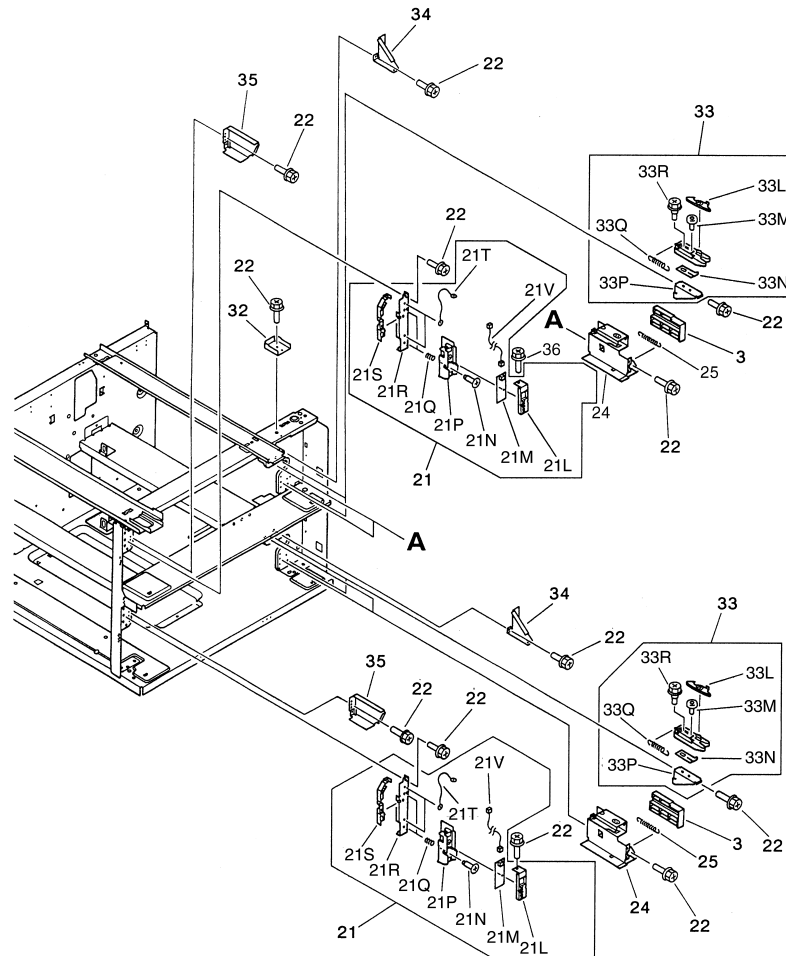


ATTENZIONE! Leggere attentamente le avvertenze.

• Non toccare mai il cavo quando è sotto tensione.
 • Non toccare mai il cavo quando è sotto tensione.
 • Non toccare mai il cavo quando è sotto tensione.
 • Non toccare mai il cavo quando è sotto tensione.
 • Non toccare mai il cavo quando è sotto tensione.
 • Non toccare mai il cavo quando è sotto tensione.

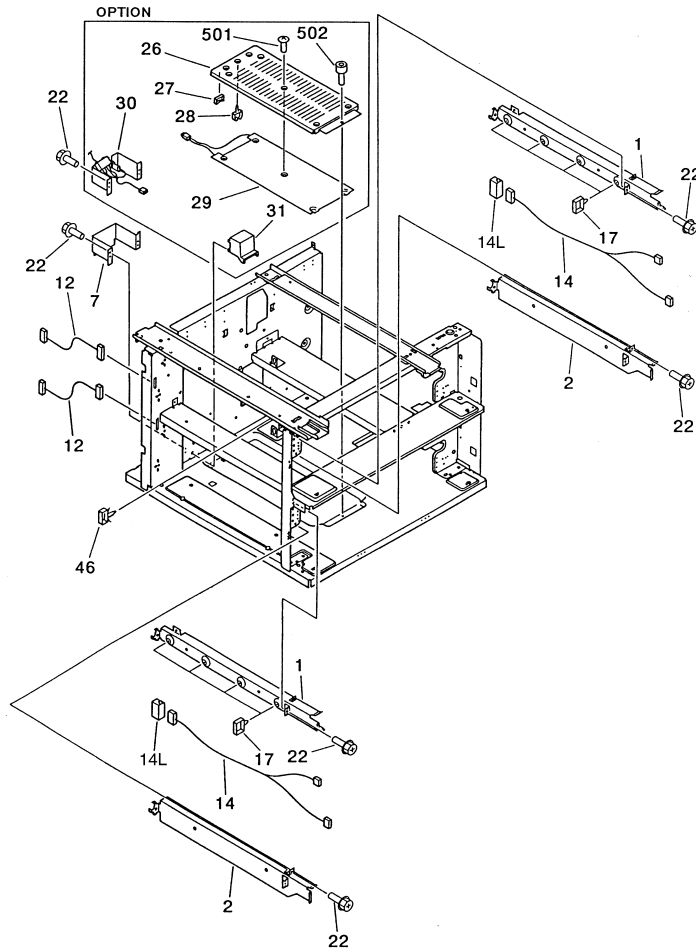
INDEX	SP.	PART NO.	DESCRIPTION	QTY
			PANELS EXTERNAL COVERS	1
1	●	9165.579	- COVER RIGHT	1
2	●	9165.580	- COVER LEFT	1
3	●	9165.581	- COVER REAR	1
4		9165.582	- COVER CABLE	1
5		9165.583	- LABEL "INSTALLATION"	1
6		9166.888	- CABLE, RIGHT DOOR	1
10	●	9156.091	- SCREW RS M4X8	1
11		9165.584	- LABEL "DO NOT LIFT"	1

Z-1255 Machine internal components 1



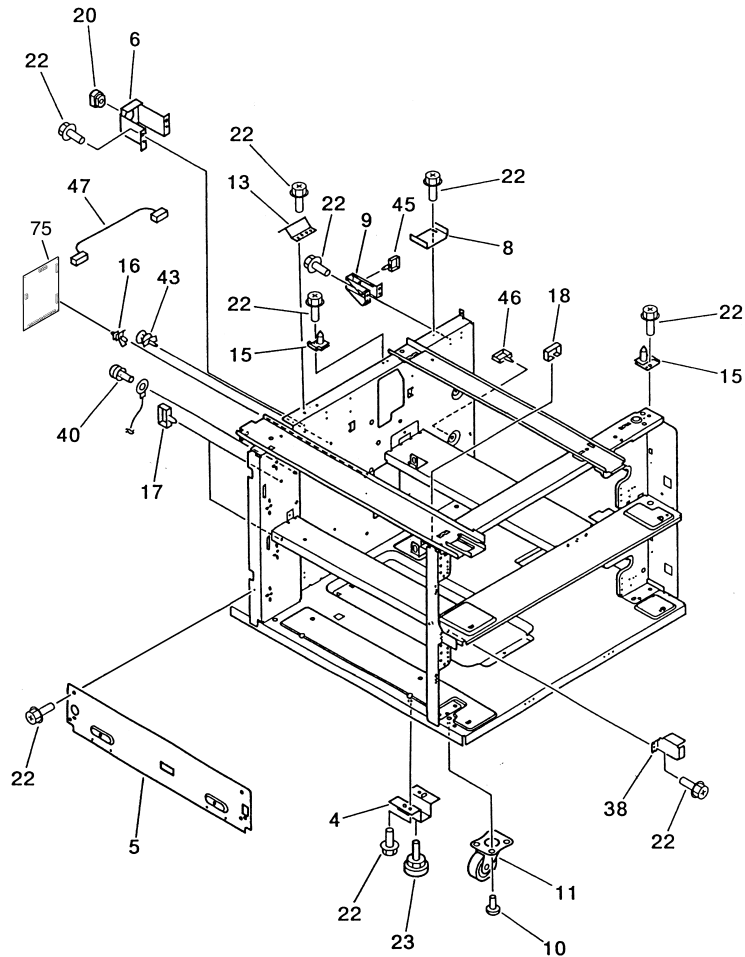
INDEX	SP.	PART NO.	DESCRIPTION	QTY
			MACHINE INTERNAL COMPONENTS 1	1
3	●	9165.588	- COVER RIGHT RAIL	4
21	●	9165.172	- CASSETTE SIZE SENSOR ASSY	2
21L		9165.601	-- PBA COVER	2
21M		9165.602	-- CASSETTE SIZE SENSOR PBA	2
21N		9165.603	-- PIN PLATE HOLDER	2
21P		9165.604	-- PBA HOLDER	2
21Q		9165.605	-- COMPRESSION SPRING	2
21R		9165.606	-- MOUNT PBA HOLDER	1
21S		9165.607	-- CABLE GUIDE	1
21T		9165.608	-- GROUNDING CABLE	2
21V		9165.609	-- CASSETTE SIZE CABLE	2
22	●	9166.889	- SCREW RS M4X8	94
24		9165.611	- RAIL RIGHT	4
25		9165.612	- TENSION SPRING	4
32		9165.617	- REINFORCEMENT PLATE	1
33	●	9165.065	- CASSETTE CLICK UNIT	2
33L		9165.618	-- CLICK LEVER	1
33M		9165.619	-- STEPPED SCREW M3	1
33N		9165.620	-- PLATE HORIZONTAL REGIST.	1
33P		9165.621	-- CLICK LEVER SUPPORT	1
33Q		9165.622	-- TENSION SPRING	1
33R		9165.623	-- STEPPED SCREW RS M4X6.2	1
34		9165.624	- REINFORCEMENT PLATE RIGHT	2
35		9165.625	- REINFORCEMENT PLATE LEFT	2

Z-1260 Machine internal components 2



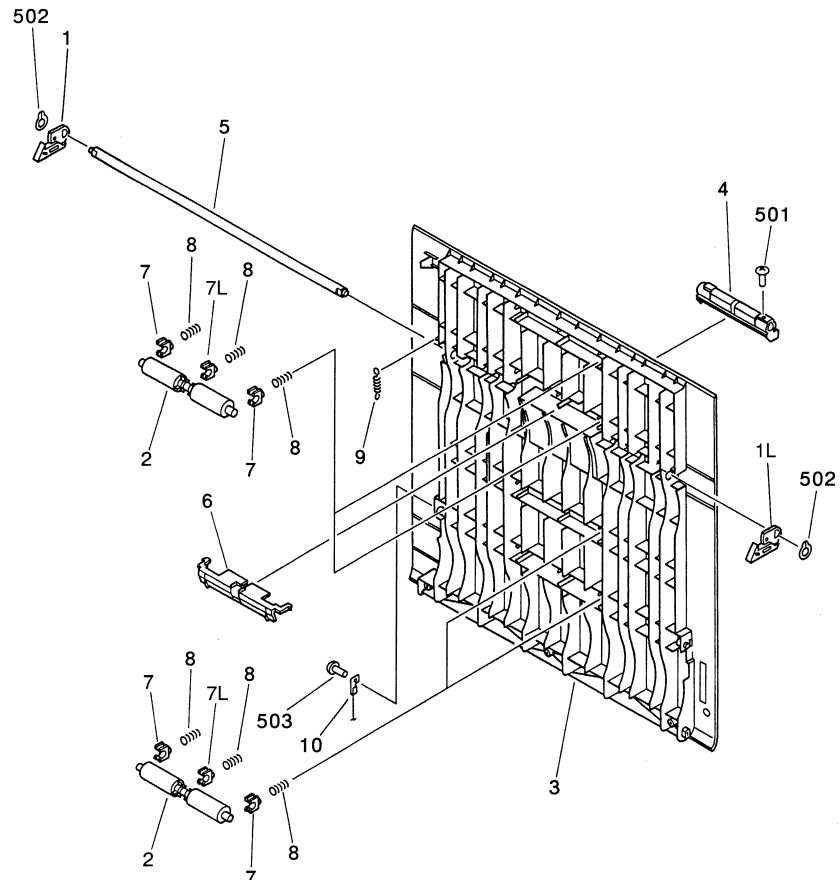
INDEX	SP.	PART NO.	DESCRIPTION	QTY
			MACHINE INTERNAL COMPONENTS 2	1
1		9165.586	- UPPER RAIL LEFT	2
2		9165.587	- LOWER RAIL LEFT	2
7		9165.592	- BLANKING PLATE	1
12		9165.597	- CABLE CASSETTE SIZE	2
14		9165.598	- CABLE JOINT	2
14L		9156.459	- CONNECTOR SNAP TIGHT	2
17	●	9135.105	- CLIP. CABLE	15
22	●	9166.889	- SCREW RS M4X8	94
26		9165.613	- COVER CASSETTE HEATER	1
27	●	9155.042	- WIRE CLIP	2
28	●	9157.142	- CLAMP CABLE	3
29		9165.614	- CASSETTE HEATER	1
30		9165.615	- POWER SUPPLY CABLE	1
31		9165.616	- COVER HEATER CONNECTOR	1
46		9156.205	- CABLE CLAMP	12
501		9158.049	- SCREW TRUSS HEAD M4X4	5
502		9165.627	- ALLEN HEAD SCREW M4X6	1

Z-1265 Machine internal components 3

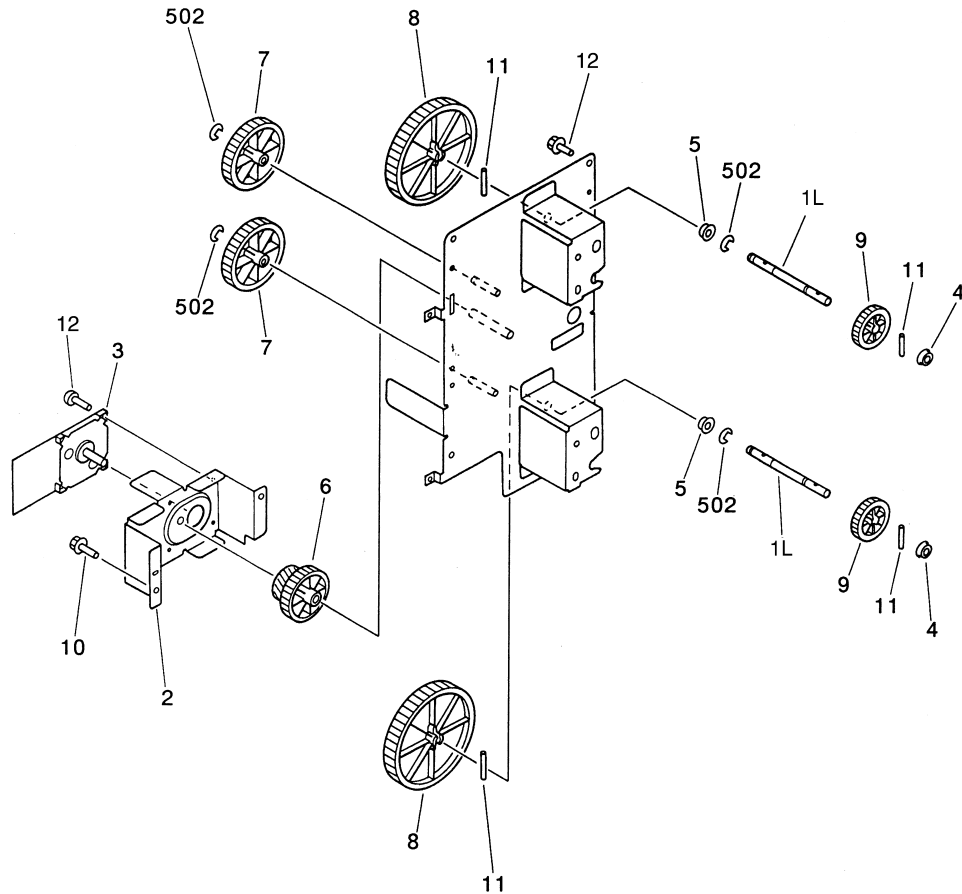


INDEX	SP.	PART NO.	DESCRIPTION	QTY
			MACHINE INTERNAL COMPONENTS 3	1
4		9165.589	- ADJUSTER SUPPORT	2
5		9165.590	- REINFORCEMENT PLATE LEFT	1
6		9165.591	- ACC CORD SUPPORT	1
8		9165.593	- REAR COVER	1
9		9165.594	- SUPPORT REAR COVER	1
10		9165.595	- SCREW W/WASHER	8
11		9165.596	- CASTOR	4
13		9166.890	- GROUNDING PLATE	2
15		9165.599	- POSITIONING PIN	2
16	●	9135.107	- SUPPORT. PBA	4
18	●	9156.201	- CLIP CABLE	4
20		9165.600	- BUSHING	1
22	●	9166.889	- SCREW RS M4X8	94
23		9165.610	- HEIGHT-ADJUSTING FOOT	2
38		9165.626	- REINFORCEMENT PLATE	1
40		9156.090	- SCREW W. WASHER M4X8	1
43		9166.891	- SPACER PBA	2
45		9170.226	- CABLE CLIP	1
47		9166.892	- CABLE MOTOR	1
75	●	9165.585	- DC CONTROLLER PBA	1

Z-1270 Right door assy

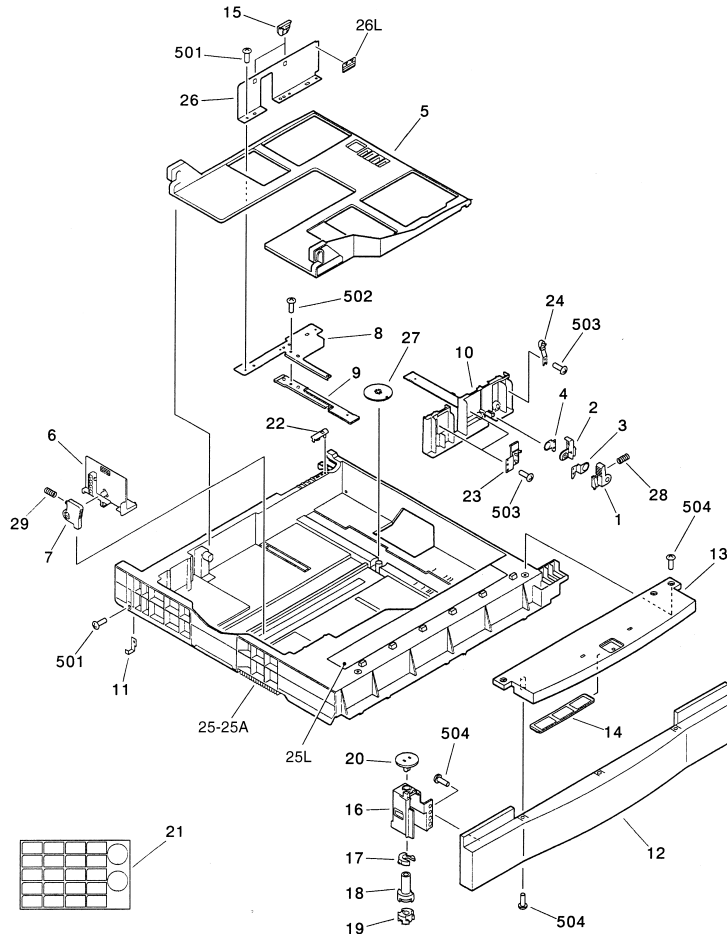


INDEX	SP.	PART NO.	DESCRIPTION	QTY
			RIGHT DOOR ASSY	1
1		● 9165.630	- RIGHT DOOR ASSY	1
	1L	9165.631	-- HOOK	2
2		● 9165.130	-- BELT IDLER ROLLER	4
3		9165.632	-- COVER RIGHT DOOR	1
4		9165.633	-- KNOB	1
5		9165.634	-- KNOB SHAFT	1
6		9165.635	-- KNOB COVER	1
7		9165.672	-- ROLLER BLOCK	8
7L		9165.636	-- ROLLER BLOCK	4
8		9165.637	-- COMPRESSION SPRING	12
9		9165.638	-- TENSION SPRING	1
10		9165.663	-- WIRE	1
501		9156.122	-- SCREW TRUSS HEAD M4X8	1
502		9157.460	-- RING GRIP	2
503		9156.120	-- SCREW TP TRUSS HEAD M4X8	1

Z-1275 Main drive assy

INDEX	SP.	PART NO.	DESCRIPTION	QTY
1			MAIN DRIVE ASSY	1
		9165.640	- MAIN DRIVE ASSY	1
	1L	9165.641	-- DRIVE SHAFT	2
	2	9165.642	-- MOTOR MOUNT	1
	3	9165.643	-- MOTOR DC24V M20	1
	4	● 9158.017	-- BUSHING	2
	5	9165.644	-- BUSHING	2
	6	9165.645	-- GEAR 48T/60T	1
	7	9165.646	-- GEAR 60T	2
	8	9165.647	-- GEAR 88T	2
	9	9165.648	-- GEAR 44T	2
	10	● 9156.091	-- SCREW RS M4X8	2
	11	9165.649	-- DOWEL PIN	4
	12	9158.163	-- SCREW W/WASHER M3X12	4
502	9157.218	-- RING-E	4	

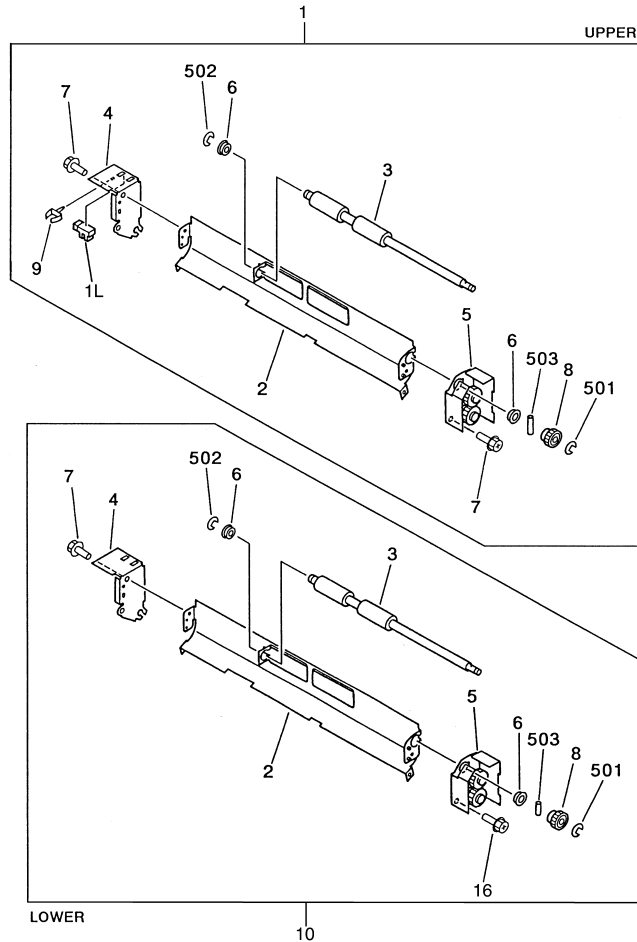
Z-1280 Cassette



INDEX	SP.	PART NO.	DESCRIPTION	QTY
			CASSETTE	1
1		9165.515	- STOP MOUNT 1	1
2		9165.516	- STOP MOUNT 2	1
3		9165.517	- STOP PLATE 1	1
4		9165.518	- STOP PLATE 2	1
5		9165.486	- PLATE PAPER LIFTING	1
6		9165.487	- PLATE PAPER SIZE END	1
7		9165.488	- LEVER PAPER SIZE END	1
8		9165.489	- PLATE SIZE END	1
9		9165.490	- RACK MANUAL	1
10		9165.491	- FRONT PLATE SIZE END	1
11		9165.492	- STOP PLATE	2
12		9165.493	- CASSETTE COVER	1
13		9165.494	- CASSETTE LATCH	1
14		9165.495	- SIZE PLATE	1
15		9165.496	- SIDE CLAW	2
16		9165.497	- CAM HINGE	1
17		9165.498	- CAM 1 SIZE SENSOR	1
18		9165.499	- CAM 2 SIZE SENSOR	1
19		9165.500	- CAM 3 SIZE SENSOR	1
20		9165.501	- KNOB CASSETTE SIZE SENSOR	1
21	●	9165.502	- LABEL "CASSETTE SIZE"	1
22		9165.503	- SLIDER BLOCK	1
23		9165.506	- SIDE BLOCK 2	2
24		9165.507	- SIDE BLOCK 1	1
25		9165.508	- CASSETTE BODY LARGE SIZE	1
25A		9165.509	- CASSETTE BODY MIDDLE SIZE	1
25L		9165.510	- LABEL "PAPER SUPPLY"	1
26		9165.511	- REAR PLATE SIZE END	1
26L		9165.512	- LABEL "PAPER HEIGHT"	1
27		9165.519	- GEAR 20T	1
28		9165.513	- COMPRESSION SPRING	1
29		9165.513	- COMPRESSION SPRING	1
501		9155.832	- MACH.TRUSS.HEAD SCREW M3X4	5

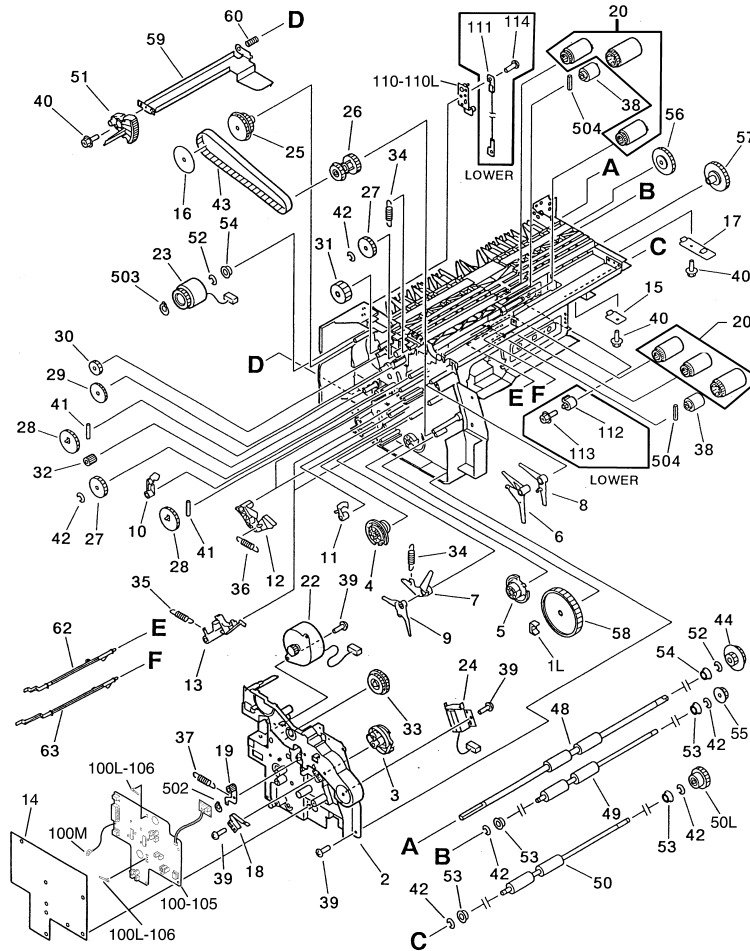
INDEX	SP.	PART NO.	DESCRIPTION	QTY
	502	9155.843	- MACH.TRUSS HEAD SCREW M3X6	2
	503	9165.345	- TAPPING TH SCREW M3X6	3
	504	9161.775	- SCREW TP TR HEAD M4X12	6

Z-1285 Vertical path assy



INDEX	SP.	PART NO.	DESCRIPTION	QTY
			VERTICAL PATH ASSY	1
1		9165.650	- VERTICAL PATH ASSY UPPER	1
1L	●	9161.902	-- PHOTO-INTERRUPTER PS20	1
2		9165.652	-- GUIDE PLATE	1
3	●	9165.653	-- ATTACHEMENT ROLLER	1
4		9165.654	-- GUIDE HOLDER	1
5		9166.894	-- GEAR BOX	1
6		9165.656	-- BUSHING	2
7		9166.895	-- SCREW M3X6 RS	4
8		9165.657	-- GEAR 16T	1
9		9156.267	-- CLAMP	1
501		9155.834	-- E RING	1
502		9156.275	-- RING-E	1
503		9136.434	-- DOWEL PIN	1
10		9165.651	- VERTICAL PATH ASSY LOWER	1
11		9165.652	-- GUIDE PLATE	1
12		9165.653	-- ATTACHEMENT ROLLER	1
13		9165.654	-- GUIDE HOLDER	1
14		9166.894	-- GEAR BOX	1
15		9165.656	-- BUSHING	2
16		9166.895	-- SCREW M3X6 RS	4
17		9165.658	-- GEAR 16T	1
510		9155.834	-- E RING	1
511		9156.275	-- RING-E	1
512		9136.434	-- PIN. DOWEL	1

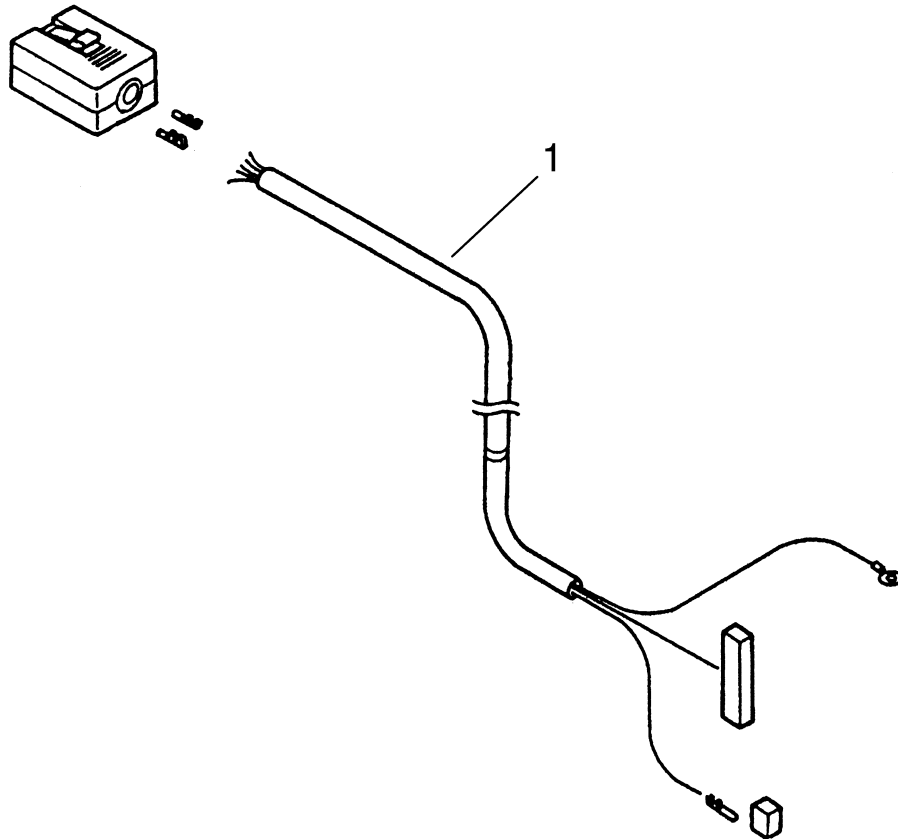
Z-1290 Paper pick-up assy



INDEX	SP.	PART NO.	DESCRIPTION	QTY	INDEX	SP.	PART NO.	DESCRIPTION	QTY
1			PAPER PICK-UP ASSY	1		●	9165.206	-- LOCK SPRING	2
		9180.676	- PAPER PICK-UP ASSY	1	35		9166.896	-- TENSION SPRING	1
1L		9165.522	-- BLOCK LIFTER SUPPORT	1	36	●	9165.546	-- TENSION SPRING	1
2		9165.523	-- COVER FRAME	1	37	●	9165.213	-- TORQUE LIMITER	2
3	●	9165.218	-- CAM PICK-UP ROLLER	1	38	●	9156.651	-- SCREW M3X8	21
4	●	9165.215	-- CAM LIFT-UP UPPER	1	39	●	9156.196	-- SCREW RS M3X8	15
5	●	9165.219	-- CAM LIFT-UP LOWER	1	40	●	9157.517	-- PIN DOWEL	2
6		9165.524	-- LIFTER ARM UPPER	1	41		9165.421	-- E-RING	8
7		9165.525	-- LIFTER ARM LOWER	1	42	●	9165.217	-- TIMING BELT	1
8		9165.526	-- LIFTER LEVER UPPER	1	43		9166.897	-- GEAR 16T/28T	1
9		9165.527	-- LIFTER LEVER LOWER	1	44		9166.898	-- VERTICAL PATH ROLLER 2	1
10		9165.528	-- PICK LOCK LEVER UPPER	1	48		9166.899	-- UPPER PAPER FEED ROLLER	1
11		9166.894	-- GEAR BOX	1	49		9166.900	-- PAPER FEED ROLLER	1
12	●	9165.530	-- CLAW LIFTER ARM	2	50		9166.901	-- GEAR 28T	1
13	●	9165.531	-- CLAW LIFTER LOCK	2	50L		9166.883	-- RATCHET GEAR	2
14		9165.532	-- SHEET MYLAR	1	51		9165.361	-- E-RING	2
15		9165.533	-- GUIDE LOWER CASSETTE	1	52	●	9157.022	-- BUSHING	6
16		9165.534	-- PLATE BELT SUPPORT	1	53		9166.902	-- BUSHING	2
17		9165.535	-- GUIDE UPPER CASSETTE	1	54		9166.903	-- GEAR 16T	1
18		9166.895	-- SCREW RS M3X6	1	55		9166.904	-- GEAR 38T	1
19		9165.537	-- TENSION PLATE	1	56		9166.905	-- GEAR 42T	1
20	●	9180.670	-- PAPER PICK-UP ROLLER SET	2	57		9166.886	-- GEAR 86T	1
22	●	9165.081	-- STEPPING MOTOR M21-22	1	58		9166.882	-- PAPER SUPPORT PLATE	1
23	●	9165.182	-- ELECTROMAGNETIC CLUTCH CL20-21	1	59		9166.906	-- COMPRESSION SPRING	1
24	●	9165.184	-- SOLENOID SL20-21	1	60		9166.884	-- SENSOR ARM 1	1
25	●	9165.092	-- PULLEY 28T/60T	1	62		9166.885	-- SENSOR ARM 2	1
26	●	9165.093	-- PULLEY 32T/40T	1	63		9157.737	-- RING GRIP	1
27		9165.539	-- GEAR 35T	2	70		9156.885	-- RING GRIP	1
28		9165.540	-- GEAR 42T	2	75		9157.056	-- PIN SPRING	4
29		9165.541	-- GEAR 35T	1	80		9165.173	-- PAPER PICK-UP PBA ASSY	1
30		9165.542	-- GEAR 24T	1	100	●	9165.133	--LEAF SPRING	2
31		9165.543	-- GEAR 35T	1	100L		9165.520	--GROUNDING CABLE	1
32		9165.544	-- GEAR 14T	1	100M		9165.659	-- PAPER PICK UP PBA ASSY	1
33		9165.545	-- GEAR 35T/44T	1	105		9165.133	--LEAF SPRING	2
34	●	9165.205	-- PICK-UP SPRING	2	106	●	9165.661	- PIVOT PLATE UPPER	1
					110		9165.662	- PIVOT PLATE LOWER	1
					110L				

INDEX	SP.	PART NO.	DESCRIPTION	QTY
111		9165.663	- WIRE DELIVERY SUPPORT LOWER	1
112		9165.664	- BUSHING LOWER	1
113	●	9156.196	- SCREW RS M3X8 LOWER	1
114		9156.120	- SCREW TP TRUSS HEAD M4 LOWER	1

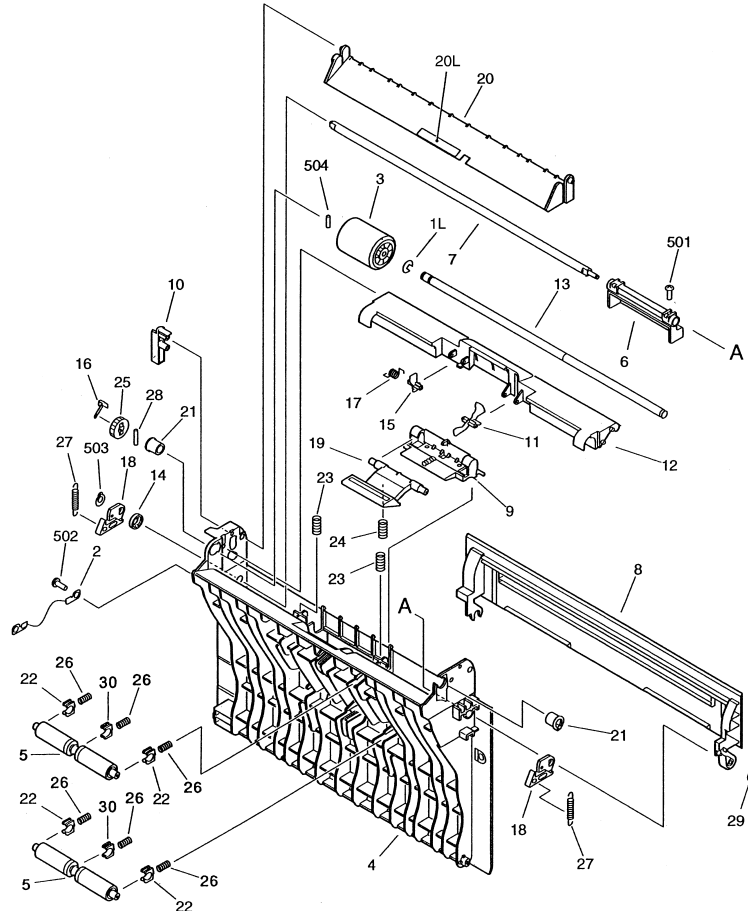
Z-1295 Interface cable



INDEX	SP.	PART NO.	DESCRIPTION	QTY
	1	● 9165.665	INTERFACE CABLE	1
			- INTERFACE CABLE	1

13. Special input

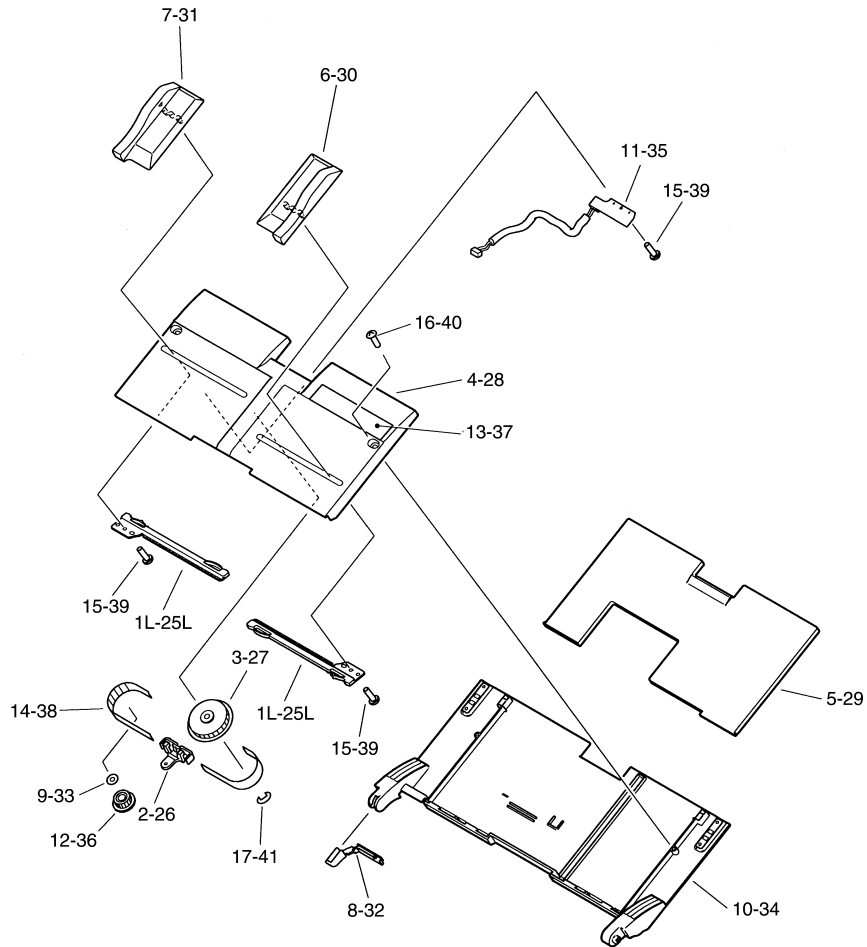
Z-1300 Right door assy



INDEX	SP.	PART NO.	DESCRIPTION	QTY
1			RIGHT DOOR ASSY	1
		● 9165.666	- RIGHT DOOR ASSY	1
	1L	9156.900	-- RING RETAINING	1
	2	● 9165.012	-- WIRE	1
	3	● 9165.226	-- ROLLER	1
	4	● 9165.033	-- RIGHT DOOR	1
	5	● 9165.130	-- BELT IDLER ROLLER	2
	6	● 9165.034	-- HANDLE RIGHT DOOR	1
	7	9165.667	-- SHAFT RIGHT DOOR HANDLE	1
	8	● 9165.035	-- DOOR UPPER RIGHT	1
	9	9165.668	-- MULTIFEED ARM 1	1
	10	● 9165.036	-- ARM CAM FOLLOWER	1
	11	● 9165.037	-- SENSOR FLAG	1
	12	● 9165.038	-- COVER MULTI FEED ROLLER	1
	13	9165.669	-- SHAFT MULTIFEED ROLLER	1
	14	9165.670	-- BUSHING	1
	15	● 9165.040	-- PAPER SENSOR FLAG	1
	16	● 9165.041	-- GROUNDING PLATE	1
	17	● 9165.131	-- RIGHT DOOR FLAG SPRING	1
	18	● 9165.132	-- RIGHT DOOR HOOK	2
	19	● 9165.159	-- MANUAL FEED ARM	1
	20	● 9165.671	-- MULTIFEED PLATE	1
	20L	9156.928	-- SHEET MANUAL FEED PLATE	1
	21	● 9158.666	-- BUSHING	2
	22	9165.672	-- BUSHING VERTICAL ROLLER	4
	23	● 9156.944	-- SPRING COMPRESSION	2
	24	● 9165.192	-- COMPRESSION SPRING	1
	25	● 9165.098	-- GEAR 19T	1
	26	9165.637	-- COMPRESSION SPRING	6
	27	● 9165.209	-- TENSION SPRING	2
	28	● 9157.517	-- PIN DOWEL	1
29	9165.674	-- E-RING	1	
30	9165.636	-- BUSHING	2	
501	9156.122	-- SCREW TRUSS HEAD M4X8	1	
502	9156.120	-- SCREW TP TRUSS HEAD M4X8	1	

INDEX	SP.	PART NO.	DESCRIPTION	QTY
	503	9156.531	-- RING GRIP	1
	504	9165.676	-- DOWEL PIN	1

Z-1305 Multi feeder tray assy

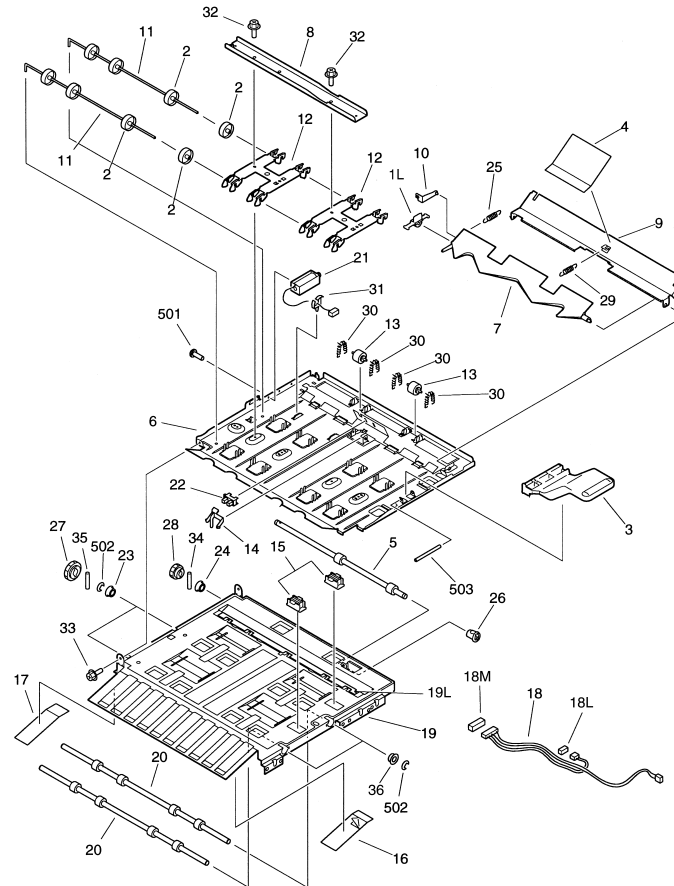


INDEX	SP.	PART NO.	DESCRIPTION	QTY
1	●	9165.677	MULTI FEEDER TRAY ASSY	1
			- MULTIFEEDER TRAY ASSY UP TO 3121.03000	1
			-- RACK	2
			-- PLATE LOCK	1
			-- GEAR 18T	1
			-- TRAY MULTIFEED	1
			-- TRAY SLIDE	1
			-- SIZE SIDE PLATE FRONT	1
			-- SIZE SIDE PLATE REAR	1
			-- GUIDE MULTI FEEDER CAB	1
			-- BELT STOP RING	1
			-- COVER MULTIFEED TRAY	1
			-- MULTI PAPERSIZE PBA ASSY	1
			-- PULLEY IDLER	1
			-- SIZE LABEL	1
			-- BELT TIMING	1
			-- TAPPING TH SCREW M3X6	3
-- SCREW TP TRUSS HEAD M4	2			
-- RING GRIP	1			
25	●	9166.907	- MULTIFEEDER TRAY ASSY FROM 3121.03000 AND FOR 3122	1
			-- RACK	2
			-- PLATE LOCK	1
			-- GEAR 18T	1
			-- TRAY MULTIFEED	1
			-- TRAY SLIDE	1
			-- SIZE SIDE PLATE FRONT	1
			-- SIZE SIDE PLATE REAR	1
			-- GUIDE MULTI FEEDER CAB	1
			-- BELT STOP RING	1
			-- COVER MULTIFEED TRAY	1
-- MULTI PAPERSIZE PBA ASSY	1			
-- PULLEY IDLER	1			
-- SIZE LABEL	1			

INDEX	SP.	PART NO.	DESCRIPTION	QTY
38			-- BELT TIMING	1
39			-- TAPPING TH SCREW M3X6	3
40			-- SCREW TP TRUSS HEAD M4	2
41			-- RING GRIP	1

16. Duplex

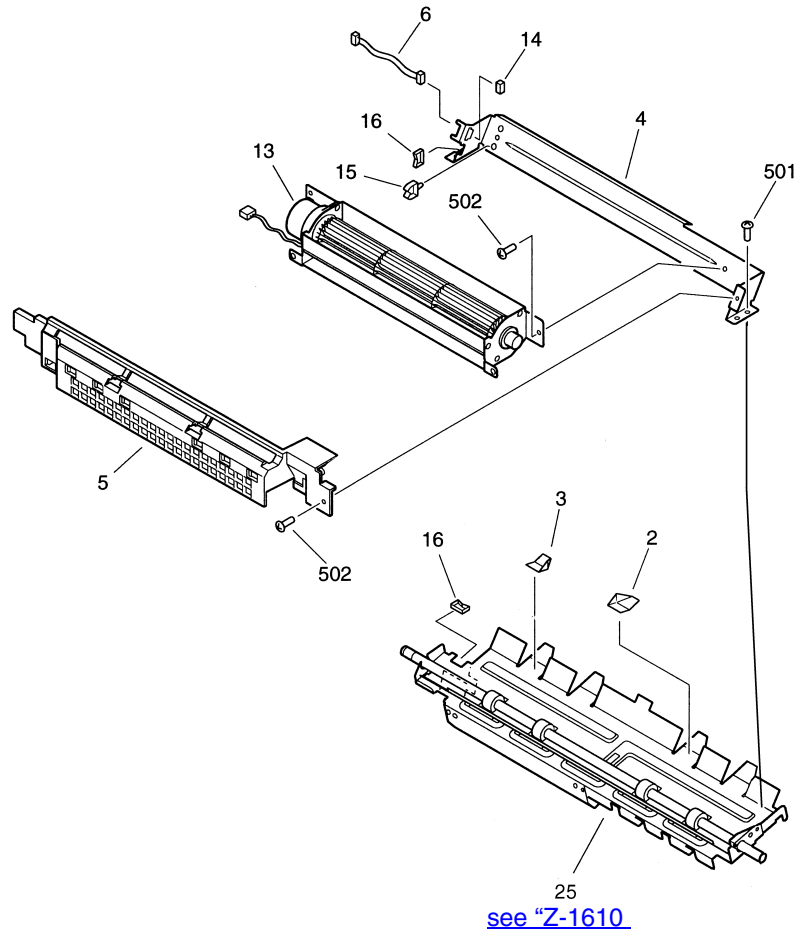
Z-1600 Lower paper feed assy



INDEX	SP.	PART NO.	DESCRIPTION	QTY
1			LOWER PAPER FEED ASSY	1
		● 9165.685	- LOWER PAPERFEED ASSY	1
	1L	● 9165.009	-- SUPPORT DEFLECTOR	1
	2	● 9165.103	-- LOWER PAPERFEED ROLLER	8
	5	● 9165.138	-- PAPER PICK-UP ROLLER	1
	6	9165.688	-- UPPER FRAME LOWER PF	1
	7	9165.689	-- DEFLECTOR LOWER PF	1
	8	9165.690	-- CROSSMEMBER LOWER PF	1
	9	9165.691	-- DEFLECTOR COVER	1
	10	● 9165.042	-- SOLENOID LINK	1
	11	9165.692	-- SHAFT LOWER PF ROLLER	2
	12	9165.693	-- LEAF SPRING	2
	13	● 9165.139	-- PAPER PICK-UP ROLLER	2
	14	● 9165.140	-- SENSOR FLAG	1
	15	● 9165.043	-- CATCH MAGNET	2
	18	9165.696	-- CABLE LOWER PF	1
	18L	9156.203	-- CONNECTOR SNAP TIGHT	1
	18M	9156.264	-- CONNECTOR SNAP TIGHT	1
	19	9165.697	-- LOWER FRAME LOWER PF	1
	19L	9165.698	-- DEFLECTOR SHEET	1
	20	● 9165.170	-- LOWER PAPER FEED ROLLER	2
	21	● 9165.185	-- SOLENOID SL4	1
	22	● 9161.902	-- PHOTO-INTERRUPTER PS11	1
	23	9166.909	-- BUSHING	2
	24	● 9157.022	-- BUSHING	1
	25	● 9165.191	-- TENSION SPRING	1
	26	9165.555	-- BUSHING	1
	27	9165.700	-- GEAR 22T	2
	28	9165.701	-- GEAR 16T	1
	29	● 9165.202	-- TENSION SPRING	1
	30	9165.702	-- TENSION SPRING	4
	31	● 9157.185	-- CLIP CORD	2
	32	9156.690	-- SCREW M3X6	5
	33	● 9156.196	-- SCREW RS M3X8	2
34	● 9156.632	-- PIN DOWEL	1	

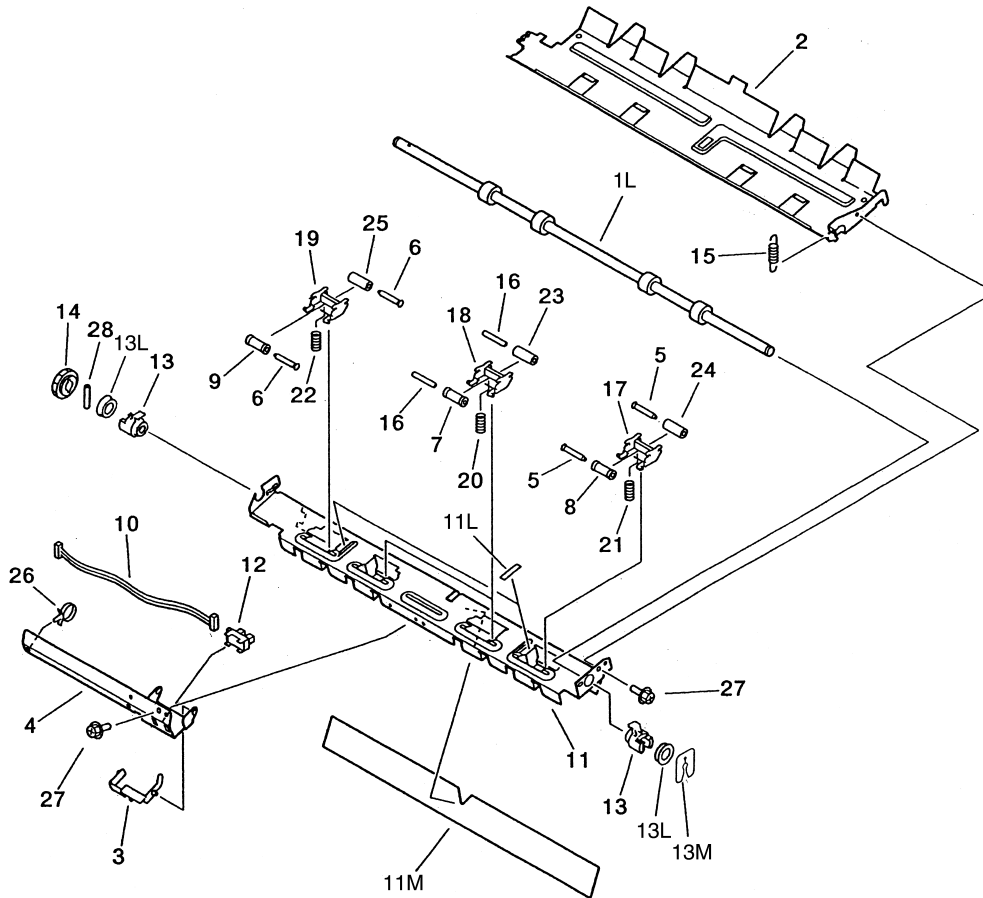
INDEX	SP.	PART NO.	DESCRIPTION	QTY
	35	● 9157.517	-- PIN DOWEL	2
	36	● 9158.666	-- BUSHING	2
	501	9155.832	-- MACH.TRUSS.HEAD SCREW	1
	502	9156.275	-- RING-E	4
	3	● 9165.686	- LOWER FEEDER HANDLE	1
	4	9165.687	- FLAPPER COVER SHEET	1
	16	9165.694	- FEED BLANKING SHEET FRONT	1
	17	9165.695	- FEED BLANKING SHEET REAR	1
	503	9165.703	- DOWEL PIN	1

Z-1605 Lower feed inlet assy 1



INDEX	SP.	PART NO.	DESCRIPTION	QTY
1			LOWER FEED INLET ASSY 1	1
		9165.705	- LOWER FEED INLET ASSY	1
	2	9165.706	-- UPPER GUIDE SHEET 1	1
	3	9165.707	-- UPPER GUIDE SHEET 2	1
	4	9165.708	-- PLATE FAN MOUNTING	1
	5	9165.709	-- FAN COVER	1
	6	9165.710	-- CABLE 1 FAN	1
	13	● 9165.087	-- FAN	1
	14	9156.203	-- CONNECTOR SNAP TIGHT	1
	15	● 9156.262	-- CLIP CABLE	1
	16	● 9155.042	-- WIRE CLIP	2
	25	● 9165.704	-- LOWER FEED INLET ASSY (SEE FIG. Z-1610)	1
	501	9155.843	-- MACH.TRUSS HEAD SCREW	2
	502	9156.121	-- SCREW TRUSS HEAD M4X6	5

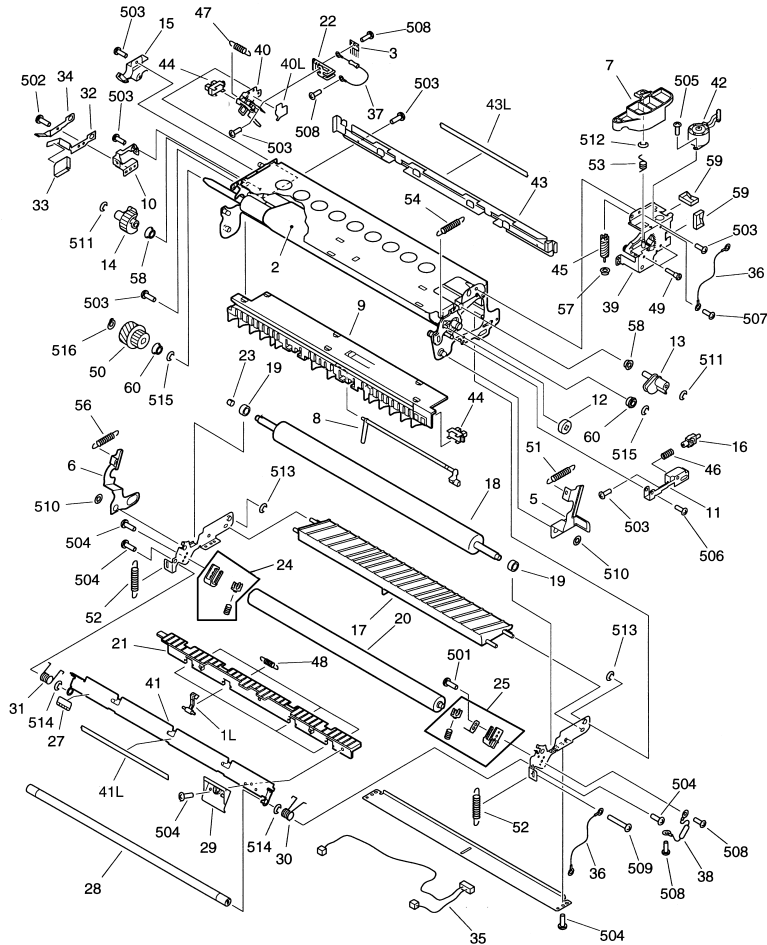
Z-1610 Lower feed inlet assy 2



INDEX	SP.	PART NO.	DESCRIPTION	QTY
			LOWER FEED INLET ASSY 2	1
1		● 9165.704	- LOWER FEED INLET ASSY	1
	1L	● 9165.136	-- PAPER INLET ROLLER	1
	2	9165.711	-- UPPER PLATE INLET GUIDE	1
	3	● 9165.137	-- PAPER SENSOR FLAG	1
	4	9165.712	-- MOUNT PAPER SENSOR	1
	5	9165.713	-- CURL RELEASE ROLLER SHAFT	2
	6	9165.713	-- CURL RELEASE ROLLER SHAFT	2
	7	● 9165.158	-- CURL RELEASE ROLLER 1	2
	8	● 9165.158	-- CURL RELEASE ROLLER 1	1
	9	● 9165.158	-- CURL RELEASE ROLLER 1	1
	10	9165.714	-- CABLEPAPER SENSOR	1
	11	9165.715	-- LOWERPAPERGUIDE PLATE	1
	11L	9165.716	-- INLET GUIDE SHEET 2	2
	11M	9165.717	-- INLET GUIDE SHEET 1	1
	12	● 9161.902	-- PHOTO-INTERRUPTER PS12	1
	13	9165.718	-- BUSHING	2
	13L	9166.815	-- BUSHING	2
	13M	9166.992	-- SHEET, RETAINER	1
	14	9165.700	-- GEAR 22T	1
	15	● 9165.203	-- TENSION SPRING	1
	16	9165.719	-- SHAFT CURL RELEASE ROLLER	4
	17	9165.720	-- ROLLER SUPPORT	2
	18	9165.720	-- ROLLER SUPPORT	1
	19	9165.720	-- ROLLER SUPPORT	1
	20	9165.721	-- COMPRESSION SPRING	2
	21	9165.721	-- COMPRESSION SPRING	1
	22	9165.721	-- COMPRESSION SPRING	1
	23	● 9165.222	-- CURL RELEASE ROLLER 2	2
	24	● 9165.222	-- CURL RELEASE ROLLER 2	1
	25	● 9165.222	-- CURL RELEASE ROLLER 2	1
	26	● 9155.095	-- CORD CLAMP	1
	27	9156.690	-- SCREW M3X6	3
	28	● 9157.517	-- PIN DOWEL	1

17. Fuser

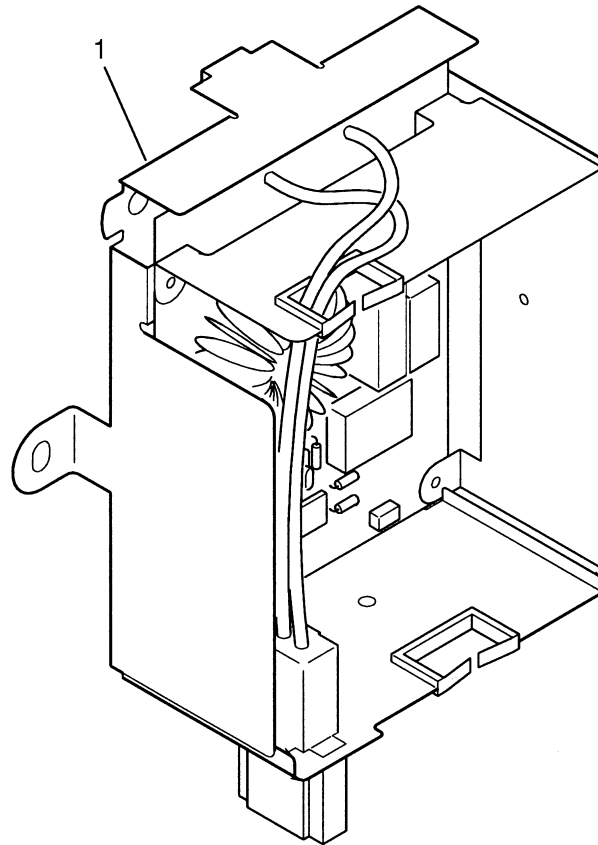
Z-1700 Fixing assy



INDEX	SP.	PART NO.	DESCRIPTION	QTY	INDEX	SP.	PART NO.	DESCRIPTION	QTY
			FIXING ASSY	1			9165.733	-- GROUNDING CABLE	2
1		● 9165.232	- FIXING ASSY	1	36		9165.753	-- GROUNDING CABLE	2
	1L	● 9165.237	-- SEPARATION CLAW	4	37	●	9166.910	-- RESISTOR HV 600OHM 1/2W R1	1
2		● 9165.238	-- FILM	1	38		9165.754	-- HV RESISTOR 200HOHM 1/2W	4
3		● 9165.239	-- STATIC CHARGE ELIMINATOR	1	39		9165.755	-- MOTOR MOUNT	1
5		9165.730	-- LEVER FRONT	1	40	●	9165.164	-- POSITIONING SENSOR LEVER	1
6		9165.731	-- LEVER REAR	1	40L		9165.756	-- INSULATING SHEET	1
7		● 9165.732	-- CAM STOP BLOCK	1	41		9165.757	-- SUPPORT DELIVERY GUIDE	1
8		● 9165.144	-- DELIVERY SENSING LEVER	1	41L		9165.758	-- LABEL "WARNING HIGH TEMP"	1
9		9165.734	-- UPPER GUIDE DELIVERY	1	42	●	9165.060	-- STEPPING MOTOR M6	1
10		9165.735	-- MOUNT TENSIONER SHAFT	1	43		9165.759	-- RIGHT CABLE COVER	1
11		9165.736	-- ARM TENSIONER SHAFT	1	43L		9165.760	-- LABEL "WARNING HIGH TEMP"	1
12		9165.737	-- ADJUSTING SCREW	1	44	●	9161.902	-- PHOTO-INTERRUPTER PS2/7	2
13		● 9165.220	-- CAM FRONT PRESSURE	1	45		9165.761	-- WORM GEAR	1
14		● 9165.221	-- CAM PRESSURE REAR	1	46		9165.762	-- COMPRESSION SPRING	1
15		9165.738	-- REAR CABLE GUIDE	1	47	●	9165.196	-- TENSION SPRING	1
16		9165.739	-- BUSHING TENSIONER ROLLER	2	48	●	9165.197	-- TENSION SPRING	4
17		9165.740	-- INLET GUIDE	1	49		9165.764	-- PIN SCREW M2.6X3	2
18		● 9166.810	-- PRESSURE ROLLER	1	50	●	9165.096	-- GEAR 16T/25T	1
19		9165.741	-- BEARING BALL	1	51	●	9165.198	-- TENSION SPRING	1
20		● 9166.817	-- HEATSINK ROLLER	1	52	●	9165.199	-- TENSION SPRING	2
21		9165.742	-- LOWER DELIVERY GUIDE	1	53		9165.763	-- TORSION SPRING	1
22		9165.743	-- HOLDER	1	54	●	9165.200	-- TENSION SPRING	1
23		9165.145	-- BIAS CONTACT	1	56	●	9165.210	-- FIXING RELEASING SPRING	1
24		● 9166.982	-- REAR HEATSINK ROLLER ASSY	1	57		9165.766	-- BUSHING	1
25		● 9166.981	-- FRONT HEATSINK ROLLER ASSY	1	58	●	9165.767	-- BUSHING	2
					59		9156.201	-- CABLE CLIP	1
27		9165.747	-- LABEL "HV RESISTOR"	4	60		9165.728	-- BALL BEARING	2
28		9165.748	-- SHAFT FIXING PLATE	1	70		9166.957	-- AC CABLE COVER	1
29		9165.749	-- HANDLE FIXING RELEASE	1	501		9165.727	-- TH MACH SCREW M2X4	1
30		● 9165.148	-- TORSION SPRING FRONT	1	502		9165.726	-- TH MACH SCREW M3X5	1
31		● 9165.149	-- TORSION SPRING REAR	1	503		9165.726	-- TH MACH SCREW M3X5	16
32		● 9165.150	-- CONNECTOR RETAINING	1	504		9165.726	-- TH MACH SCREW M3X5	7
33		9165.750	-- INSULATING SHEET	1	505		9165.726	-- TH MACH SCREW M3X5	2
34		9165.751	-- RETAINER CONNECTOR	1	506		9156.121	-- SCREW TRUSS HEAD M4X6	1
35		9165.752	-- CABLE FIXING SENSOR	1	507		9165.725	-- SCREW W WASHER M3X6	1
					508		9165.725	-- SCREW W WASHER M3X6	4

INDEX	SP.	PART NO.	DESCRIPTION	QTY
509		9165.724	-- SCREW W WASHER M3X12	1
510		9165.723	-- SHIM	2
511		9156.435	-- RING-E	4
512		9156.435	-- RING-E	1
513		9155.834	-- E RING	2
514		9155.834	-- E RING	2
515		9156.275	-- RING-E	2
516		9156.885	-- RING GRIP	1

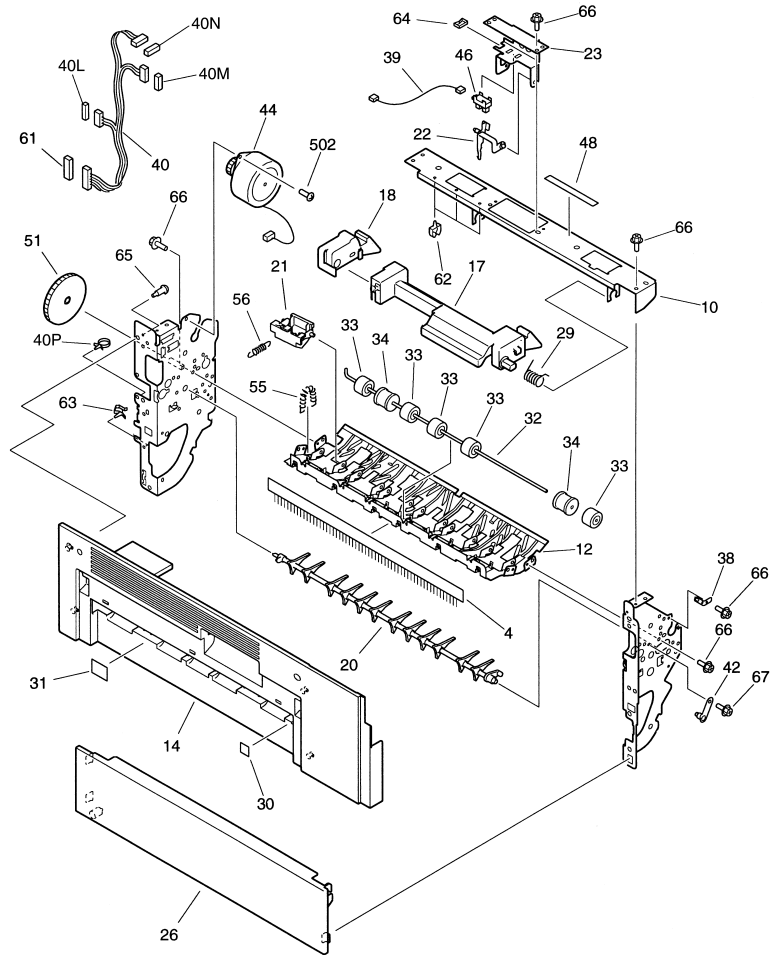
Z-1705 Fixing heater driver PBA assy



INDEX	SP.	PART NO.	DESCRIPTION	QTY
			FIXING HEATER DRIVER PBA ASSY	1
1	●	9165.072	- FIXING HEATER DRIVER PBA	1

19. CRU

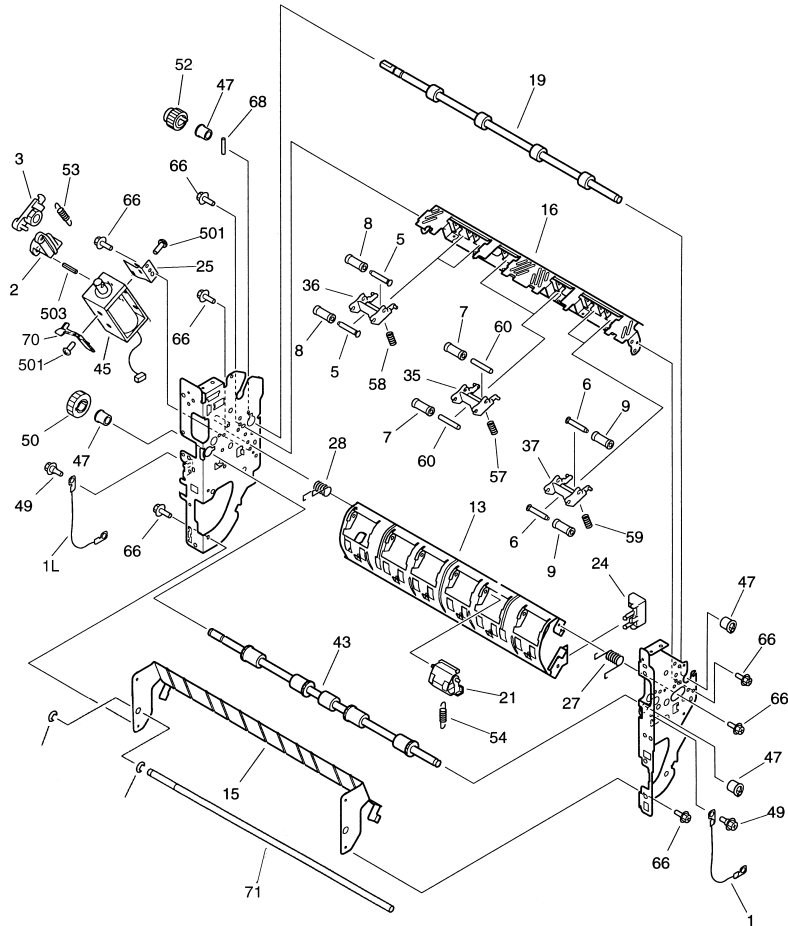
Z-1900 Delivery assy 1



INDEX	SP.	PART NO.	DESCRIPTION	QTY
			DELIVERY ASSY 1	1
1	●	9166.995	- DELIVERY ASSY	1
4	●	9165.112	-- STATIC CHARGE ELIMINATOR	1
10		9165.771	-- UPPER DELIVERY CROSSMEMBER	1
12	●	9165.773	-- UPPER DELIVERY GUIDE	1
14		9165.775	-- UPPER DELIVERY COVER	1
17		9165.778	-- DELIVERY HANDLE	1
18	●	9165.779	-- DELIVERY HOOK	1
20		9165.780	-- FLAPPER 1	1
21	●	9165.153	-- FLAPPER 2	6
22	●	9165.154	-- SENSOR ARM	1
23		9165.781	-- SENSOR HOLDER	1
26	●	9165.784	-- LOWER DELIVERY COVER	1
29		9165.787	-- TORSION SPRING	1
30		9165.788	-- FRONT COVER DELIVERY SHEET	1
31		9165.789	-- REAR COVER DELIVERY SHEET	1
32		9165.790	-- EXTERNAL DELIVERY SHAFT	1
33	●	9165.155	-- EXTERNAL DELIVERY ROLLER	5
34	●	9165.156	-- EXTERNAL DELIVERY ROLLER	2
38		9165.791	-- INTERLOCK PRESSURE PLATE 1	1
39		9165.792	-- FRONT REVERSE CABLE	1
40		9165.794	-- DELIVERY CABLE 1	1
40L		9156.203	-- CONNECTOR SNAP TIGHT	1
40M		9156.204	-- CONNECTOR SNAP TIGHT	1
40N		9156.208	-- CONNECTOR SNAP TIGHT	1
40P	●	9155.095	-- CORD CLAMP	4
42		9165.796	-- REVERSE GUIDE STOP PIN	1
44	●	9165.082	-- STEPPING MOTOR M8	1
46	●	9156.175	-- IC PHOTO-MICROSENSOR PS13	1
48		9165.797	-- LABEL "WARNING HIGH TEMP"	1
51		9165.799	-- GEAR 57T	1
55		9165.802	-- TORSION SPRING	6
56		9165.803	-- TENSION SPRING	6
61		9156.372	-- CONNECTOR SNAP TIGHT	1

INDEX	SP.	PART NO.	DESCRIPTION	QTY
62	●	9156.200	-- CLAMP	3
63		9165.805	-- CABLE CLAMP	1
64		9165.277	-- CABLE CLIP	1
65		9165.806	-- SCREW M4X8	4
66		9156.690	-- SCREW M3X6	18
67	●	9156.519	-- SCREW RS M3X6	1
502	●	9155.843	-- MACH.TRUSS HEAD SCREW	2

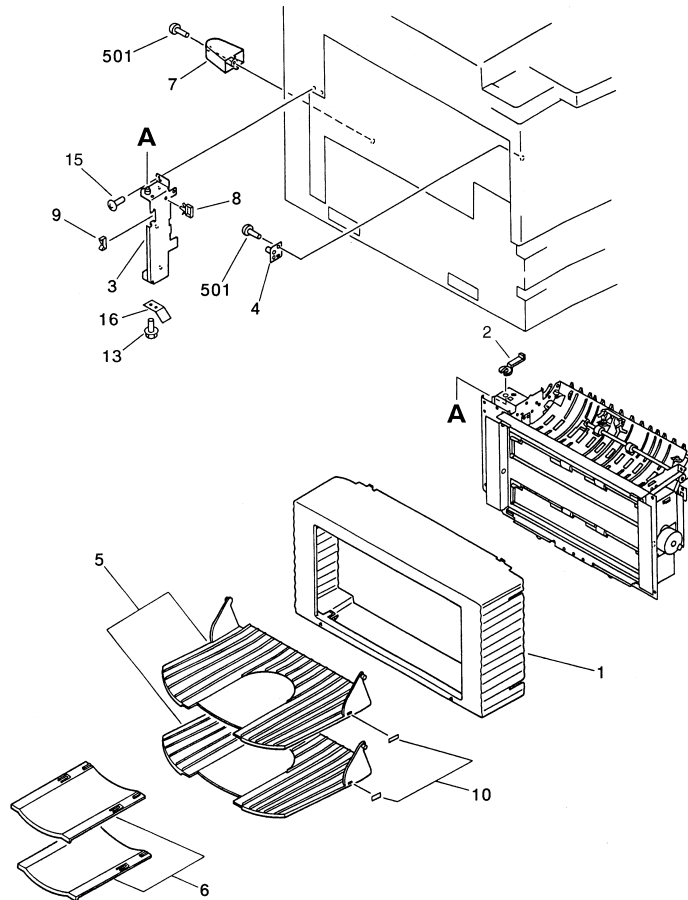
Z-1903 Delivery assy 2



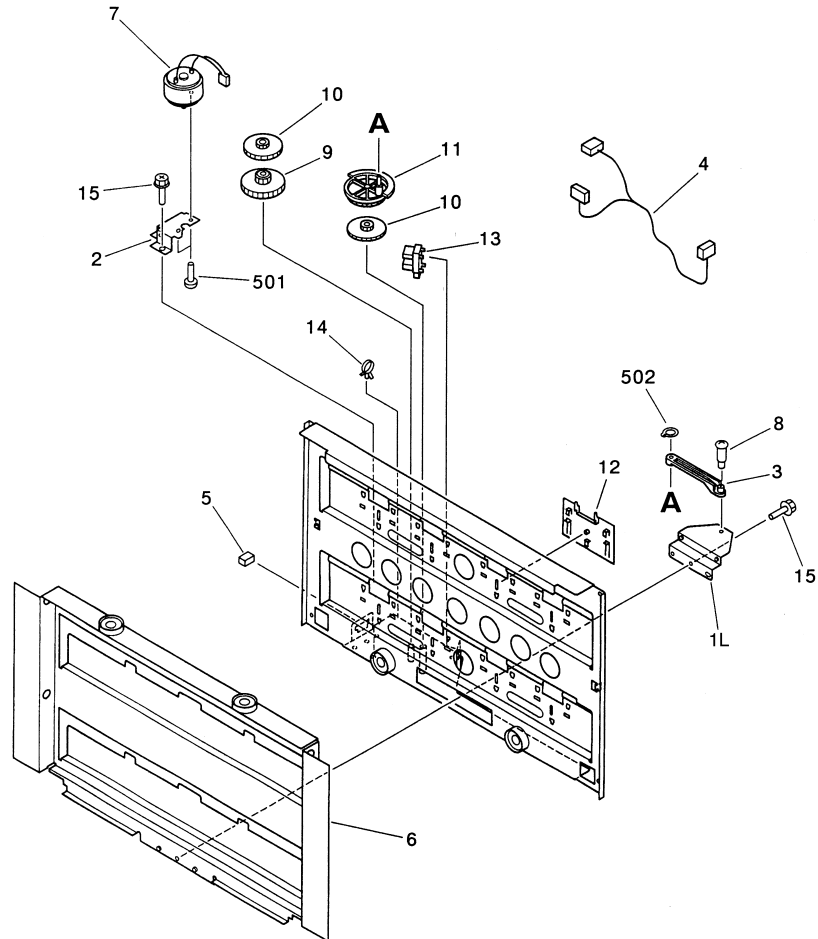
INDEX	SP.	PART NO.	DESCRIPTION	QTY
1			DELIVERY ASSY 2	1
		9166.995	- DELIVERY ASSY	1
	1L	● 9165.108	-- FRONT WIRE	2
	2	● 9165.011	-- ARM SOLENOID	1
	3	● 9166.504	-- BUSHING	1
	5	9165.713	-- CURL RELEASE ROLLER SHAFT	4
	6	9165.713	-- CURL RELEASE ROLLER SHAFT	4
	7	● 9165.770	-- CURL RELEASE ROLLER	4
	8	● 9165.770	-- CURL RELEASE ROLLER	4
	9	● 9165.770	-- CURL RELEASE ROLLER	4
	13	9165.774	-- REVERSE GUIDE	1
	15	9165.776	-- LOWER DELIVERY GUIDE	1
	16	9165.777	-- PAPER DELIVERY GUIDE	1
	19	● 9165.151	-- INTERNAL DELIVERY ROLLER	1
	21	● 9165.153	-- FLAPPER 2	6
	24	9165.782	-- REVERSE GUIDE LEVER	1
	25	9165.783	-- SOLENOID MOUNT	1
	27	9165.785	-- TORSION SPRING	1
	28	9165.786	-- TORSION SPRING	1
	35	● 9165.157	-- ROLLER SUPPORT	2
	36	● 9165.157	-- ROLLER SUPPORT	2
	37	● 9165.157	-- ROLLER SUPPORT	2
	43	● 9165.169	-- EXTERNAL DELIVERY ROLLER	1
	45	● 9165.186	-- SOLENOID SL5	1
	47	● 9158.666	-- BUSHING	4
	49	9165.623	-- STEPPED SCREW RS M4	2
	50	9165.798	-- GEAR 17T	1
	52	● 9166.933	-- GEAR 20T	1
	53	● 9165.204	-- TENSION SPRING	1
54	9165.801	-- TENSION SPRING	6	
57	9165.804	-- COMPRESSION SPRING	2	
58	9165.804	-- COMPRESSION SPRING	2	
59	9165.804	-- COMPRESSION SPRING	2	

INDEX	SP.	PART NO.	DESCRIPTION	QTY
60	●	9165.719	-- SHAFT CURL RELEASE ROLLER	4
66		9156.690	-- SCREW M3X6	18
68	●	9157.517	-- PIN DOWEL	1
70		9166.996	-- COVER, DELIVERY SOLENOID	1
71	●	9165.015	-- SHAFT,PAPER DELIVERY	1
501		9155.832	-- MACH.TRUSS.HEAD SCREW M3X4	2
503	●	9815.560	-- SPRING PIN	1

Z-1950 Panels external cover

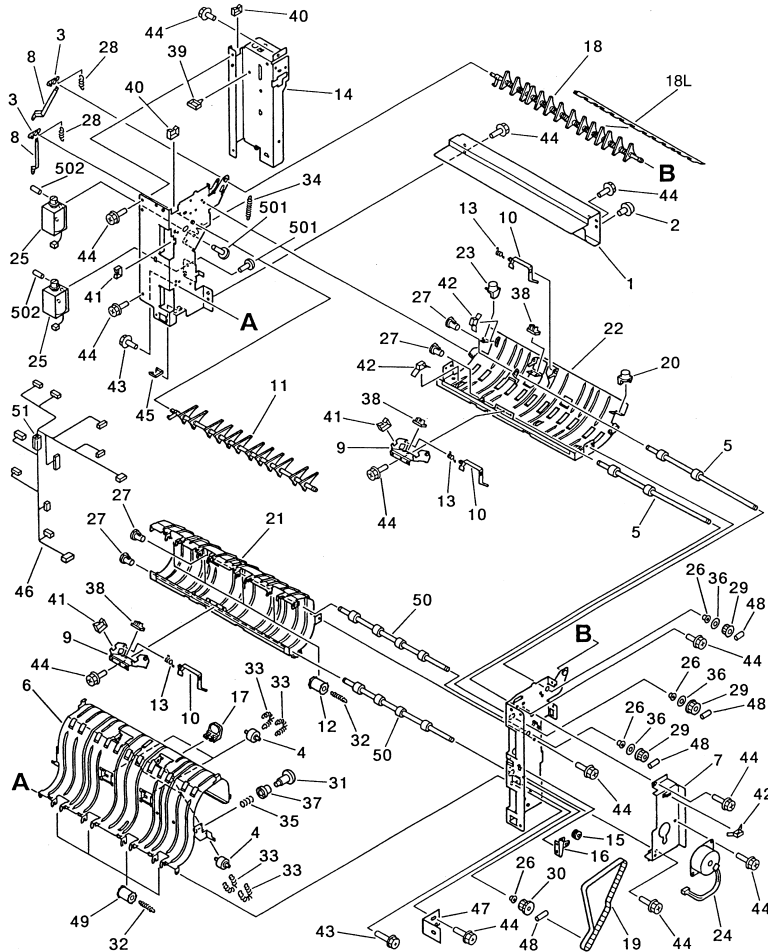


INDEX	SP.	PART NO.	DESCRIPTION	QTY
			PANELS EXTERNAL COVER	1
1		9166.275	- TRAY COVER	1
2		9166.276	- STOP PLATE	1
3		9166.277	- MAIN BODY SUPPORT	1
4		9166.278	- AUXILIARY PLATE	1
5	●	9165.001	- COPY TRAY	2
6	●	9166.064	- COPY TRAY 2	2
7	●	9166.280	- SPACER	1
8	●	9135.105	- CLIP. CABLE	1
9	●	9156.320	- HOLDER EDGE	1
10		9166.281	- TRAY SEAL	1
13		9166.290	- SCREW RS M3X6	1
15		9166.290	- SCREW RS M3X6	6
16		9166.912	- LEAF SPRING	1
501		9166.282	- CT SCREW M4X8	12

Z-1955 Offset assy

INDEX	SP.	PART NO.	DESCRIPTION	QTY
			OFFSET ASSY	1
1		9166.283	- OFFSET ASSY	1
	1L	9166.284	-- OFFSET PLATE	4
	2	9166.285	-- MOTOR MOUNT	1
	3	9166.286	-- LINK	1
	4	9166.287	-- CONNECTOR CABLE	1
	5	9156.264	-- CONNECTOR SNAP TIGHT	1
	6	9166.288	-- TRAY PLATE	1
	7	● 9165.002	-- MOTOR DC23V M11	1
	8	● 9158.073	-- SCREW STEPPED M3X4	1
	9	● 9166.339	-- GEAR 19T/62T	1
	10	● 9166.340	-- GEAR 19T/56T	2
	11	● 9166.341	-- GEAR 56T	1
	12	9166.289	-- ROLLER GUIDE	8
	13	● 9161.902	-- PHOTO-INTERRUPTER PS16	1
	14	● 9156.200	-- CLAMP	3
	15	9166.290	-- RS SCREW M3X6	2
	501	9155.832	-- MACH.TRUSS.HEAD SCREW	2
	502	9157.737	-- RING GRIP	1

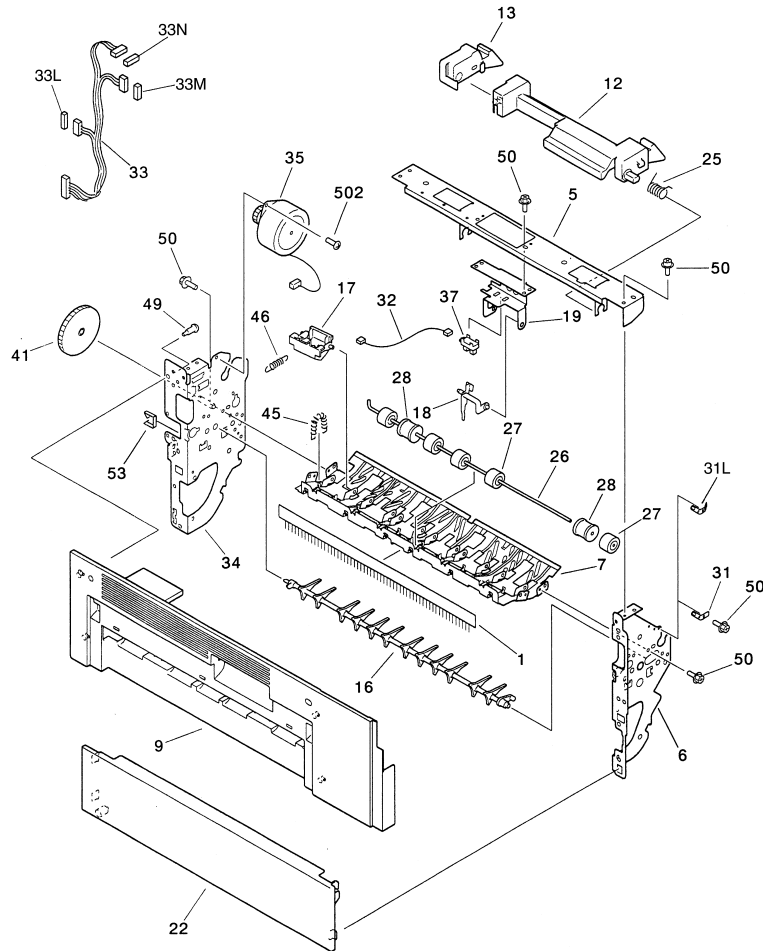
Z-1960 Feeder assy



INDEX	SP.	PART NO.	DESCRIPTION	QTY
			FEEDER ASSY	1
1		9166.291	- CROSSMEMBER	1
2		9166.292	- RUBBER FOOT	1
3	●	9166.504	- BUSHING	1
4	●	9165.139	- PAPER PICK-UP ROLLER	4
5	●	9166.505	- SHAFT DELIVERY ROLLER	2
6		9166.293	- GUIDE	1
7		9166.294	- MOTOR MOUNT	1
8		9166.295	- SOLENOID LINK	2
9		9166.296	- SENSOR MOUNT	2
10	●	9166.506	- SENSOR ARM	3
11		9166.297	- DEFLECTOR 2	1
12	●	9166.507	- DELIVERY ROLLER A	4
13	●	9166.508	- TORSION SPRING	3
14		9166.298	- PLATE	1
15		9166.299	- PULLEY	1
16		9166.511	- LEAF SPRING	1
17		9166.512	- GUIDE GRIP	1
18		9166.513	- DEFLECTOR 1	1
18L		9166.514	- DEFLECTOR SHEET	1
19	●	9166.509	- TIMING BELT 200T	1
20		9166.515	- FRONT MAGNET MOUNT	1
21		9166.516	- PAPER GUIDE	1
22		9166.517	- UPPER PLATE	1
23		9166.518	- REAR MAGNET MOUNT	1
24	●	9165.003	- MOTOR DC24V M9	1
25	●	9165.004	- SOLENOID DC24V SL6-8	2
26	●	9157.022	- BUSHING	4
27		9165.555	- BUSHING	4
28		9166.520	- TENSION SPRING	2
29		9166.521	- PULLEY 26T	3
30		9166.522	- PULLEY 22T	1
31		9166.523	- STEPPED SCREW M4	1
32	●	9165.211	- TENSION SPRING	8
33		9166.524	- TENSION SPRING	8

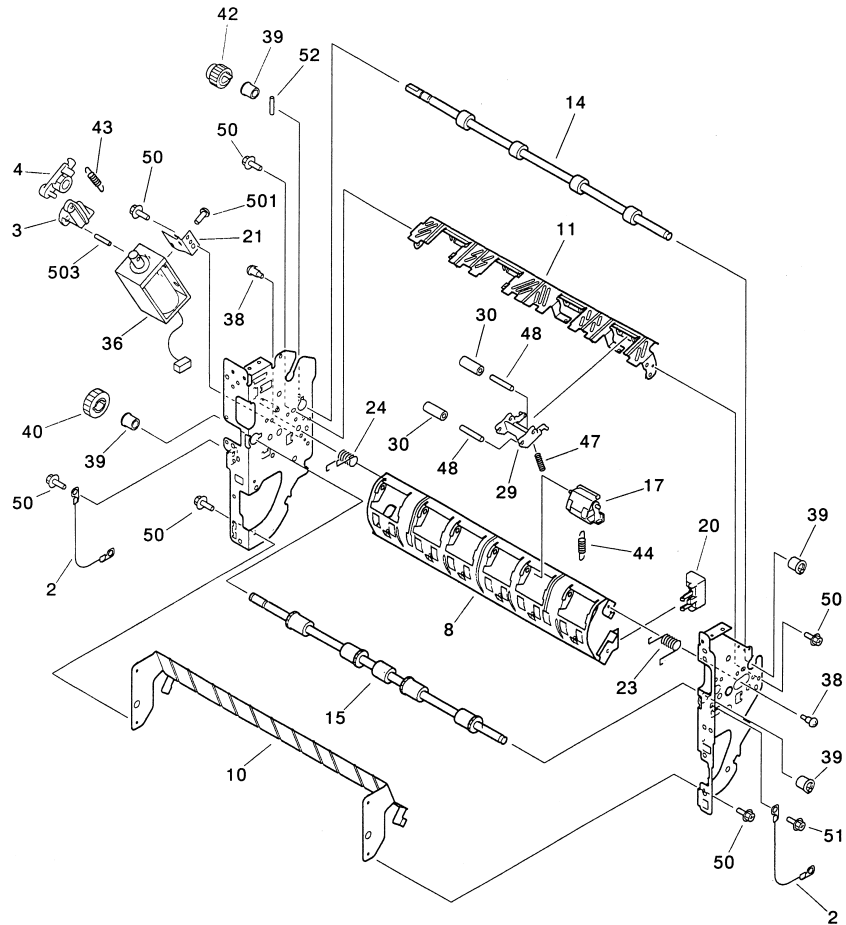
INDEX	SP.	PART NO.	DESCRIPTION	QTY
		9166.525	- TENSION SPRING	1
34		9166.526	- COMPRESSION SPRING	1
35		9161.916	- FLANGE	3
36		9166.620	- CRG PRESSURE PIECE	1
37	●	9161.967	- PHOTO-INTERRUPTER PS17-18-19	3
38	●	9135.105	- CLIP. CABLE	4
39	●	9156.201	- CLIP CABLE	2
40	●	9155.042	- WIRE CLIP	3
41	●	9157.185	- CLIP CORD	5
42		9166.528	- SCREW RS M3X6	2
43		9166.290	- RS SCREW M3X6	21
44		9166.530	- CABLE CLIP	1
45		9166.531	- MULTI TRAY CABLE	1
46		9166.532	- FRONT HOLDER	1
47	●	9157.517	- PIN DOWEL	4
48	●	9166.510	- DELIVERY ROLLER B	4
49		9166.913	- DELIVERY ROLLER	2
50		9166.042	- FERRITE CORE	1
51		9155.832	- MACH.TRUSS.HEAD SCREW	4
501		9158.302	- PIN SPRING	2
502				

Z-1965 Delivery assy 1



INDEX	SP.	PART NO.	DESCRIPTION	QTY
			DELIVERY ASSY 1	1
1	●	9166.094	- STATIC CHARGE ELIMINATOR	1
5		9165.771	- UPPER DELIVERY CROSSMEMBER	1
6		9165.772	- FRONT DELIVERY PLATE	1
7	●	9165.773	- UPPER DELIVERY GUIDE	1
9		9165.775	- UPPER DELIVERY COVER	1
12	●	9165.778	- DELIVERY HANDLE	1
13	●	9165.779	- DELIVERY HOOK	1
16		9165.780	- FLAPPER 1	1
17	●	9165.153	- FLAPPER 2	6
18	●	9165.154	- SENSOR ARM	1
19		9165.781	- SENSOR HOLDER	1
22	●	9165.784	- LOWER DELIVERY COVER	1
25		9165.787	- TORSION SPRING	1
26		9165.790	- EXTERNAL DELIVERY SHAFT	1
27	●	9165.155	- EXTERNAL DELIVERY ROLLER	5
28	●	9165.156	- EXTERNAL DELIVERY ROLLER	2
31		9165.791	- INTERLOCK PRESSURE PLATE	1
31L		9166.093	- INTERLOCK PRESSURE PLATE	1
32		9165.792	- FRONT REVERSE CABLE	1
33		9165.794	- DELIVERY CABLE 1	1
33L		9156.203	- CONNECTOR SNAP TIGHT	1
33M		9156.204	- CONNECTOR SNAP TIGHT	1
33N		9156.208	- CONNECTOR SNAP TIGHT	1
34		9166.092	- REAR DELIVERY PLATE	1
35	●	9165.082	- STEPPING MOTOR M8	1
37	●	9156.175	- IC PHOTO-MICROSENSOR PS13	1
41		9165.799	- GEAR 57T	1
45		9165.802	- TORSION SPRING	6
46		9165.803	- TENSION SPRING	6
49		9165.806	- SCREW M4X8	4
50		9156.690	- SCREW M3X6	15
53	●	9156.201	- CLIP CABLE	1
502	●	9155.843	- MACH.TRUSS HEAD SCREW	2

Z-1968 Delivery assy 2

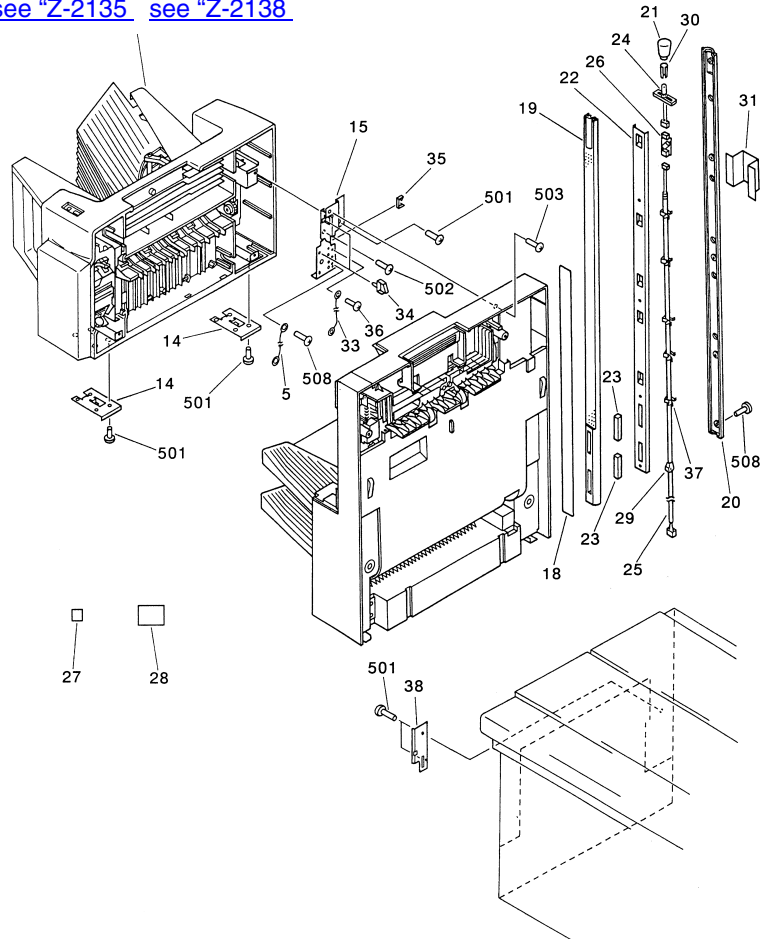


INDEX	SP.	PART NO.	DESCRIPTION	QTY
			DELIVERY ASSY 2	1
2	●	9165.108	- FRONT WIRE	2
3	●	9165.011	- ARM SOLENOID	1
4	●	9166.504	- BUSHING	1
8	●	9165.768	- REVERSE GUIDE	1
10		9165.776	- LOWER DELIVERY GUIDE	1
11		9165.777	- PAPER DELIVERY GUIDE	1
14	●	9165.151	- INTERNAL DELIVERY ROLLER	1
15	●	9165.152	- EXTERNAL DELIVERY ROLLER	1
17	●	9165.153	- FLAPPER 2	6
20		9165.782	- REVERSE GUIDE LEVER	1
21		9165.783	- SOLENOID MOUNT	1
23		9165.785	- TORSION SPRING	1
24		9165.786	- TORSION SPRING	1
29	●	9165.157	- ROLLER SUPPORT	6
30	●	9165.158	- CURL RELEASE ROLLER 1	12
36	●	9165.186	- SOLENOID SL5	1
38		9166.091	- STEPPED SCREW M4	2
39	●	9158.666	- BUSHING	4
40		9165.798	- GEAR 17T	1
42		9165.800	- GEAR 20T	1
43	●	9165.204	- TENSION SPRING	1
44		9165.801	- TENSION SPRING	6
47		9165.804	- COMPRESSION SPRING	6
48		9165.719	- SHAFT CURL RELEASE ROLLER	12
50		9156.690	- SCREW M3X6	15
51	●	9156.091	- SCREW RS M4X8	2
52	●	9157.517	- PIN DOWEL	1
501		9155.832	- MACH.TRUSS.HEAD SCREW	2
503	●	9815.560	- DOWEL PIN	1

21. Sorter stapler

Z-2100 Mounting hardware 1

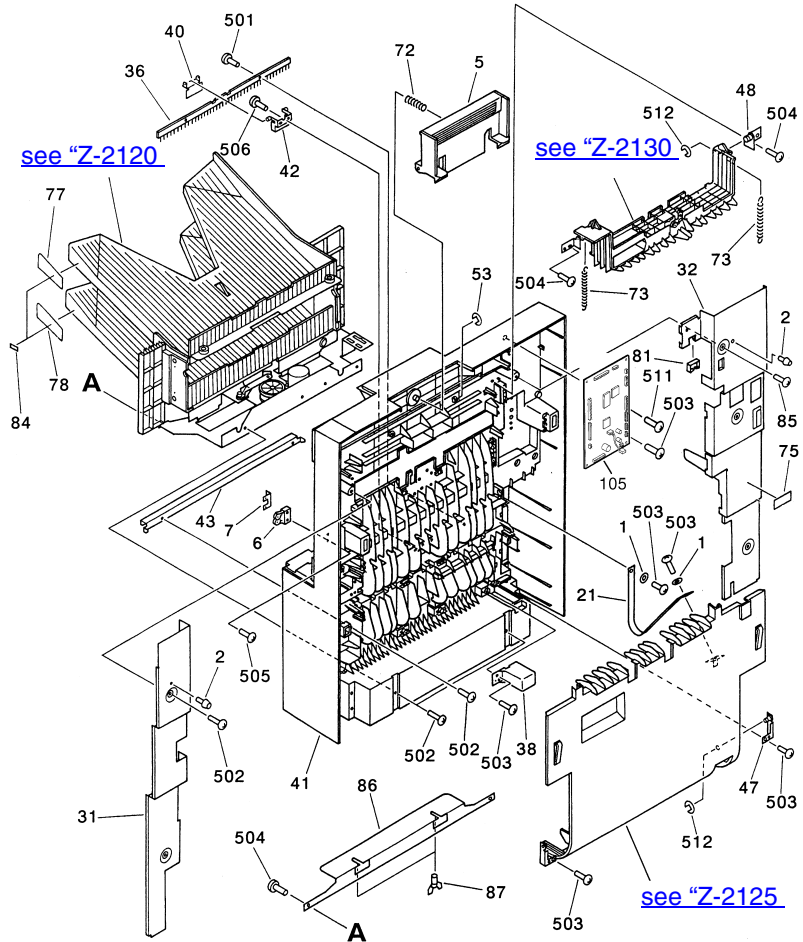
[see "Z-2135](#) [see "Z-2138](#)



INDEX	SP.	PART NO.	DESCRIPTION	QTY
			MOUNTING HARDWARE 1	1
5		9166.534	- GROUNDING WIRE SORTER	1
14		9166.541	- MOUNTING PLATE	2
15		9166.542	- MOUNTING PLATE	1
18		9166.545	- MAGNET PLATE	1
19	●	9166.546	- FRONT COVER LAMP	1
20	●	9166.547	- REAR COVER LAMP	1
21	●	9166.301	- LAMP CAP	1
22		9166.548	- MIDDLE PLATE	1
23		9166.549	- MAGNET LATCH	2
24	●	9166.550	- HARNESS 2 INDICATOR LAMP	1
25	●	9166.551	- HARNESS 1 INDICATOR LAMP	1
26	●	9166.302	- INDICATION LAMP PBA	1
27		9166.552	- LABEL FOR RF	1
28		9166.553	- LABEL FOR COPIER	1
29		9166.554	- CABLE CLAMP	1
30	●	9166.555	- DIFFUSING FILM	1
31		9166.556	- GUIDE PLATE	1
33		9166.558	- GROUND WIRING	1
34	●	9156.205	- CLAMP CABLE	2
35	●	9155.171	- CABLE CLIP	1
36		9166.559	- SELF-TAPPING TH SCREW	4
37	●	9156.267	- CLAMP	5
38		9166.560	- BIN PLATE	1
501		9166.562	- CT SCREW M4X6	1
502	●	9155.843	- MACH.TRUSS HEAD SCREW	1
503		9156.122	- SCREW TRUSS HEAD M4X8	1
508		9166.565	- TH TAPPING SCREW M3X10	1

INDEX	SP.	PART NO.	DESCRIPTION	QTY
			MOUNTING HARDWARE 2	1
1	●	9166.533	- LATCH PLATE	1
6		9166.535	- RAIL	1
7		9166.536	- SORTER MOUNT	1
8	●	9166.537	- SORTER MOUNTING COVER	1
9		9166.538	- STOP RING	2
10		9166.539	- FRONT PLATE	1
11		9166.540	- REAR PLATE	1
12		9156.538	- SCREW STEPPED M4	2
16	●	9166.543	- FRONT RAIL COVER	1
17	●	9166.544	- REAR RAIL COVER	1
32	●	9166.557	- DELIVERY GUIDE	1
39		9166.561	- STEPPED SCREW M4	2
501		9166.562	- CT SCREW M4X6	1
504		9166.563	- TH TAPPING SCREW M4X8	2
506		9166.564	- CT SCREW M4X6	12

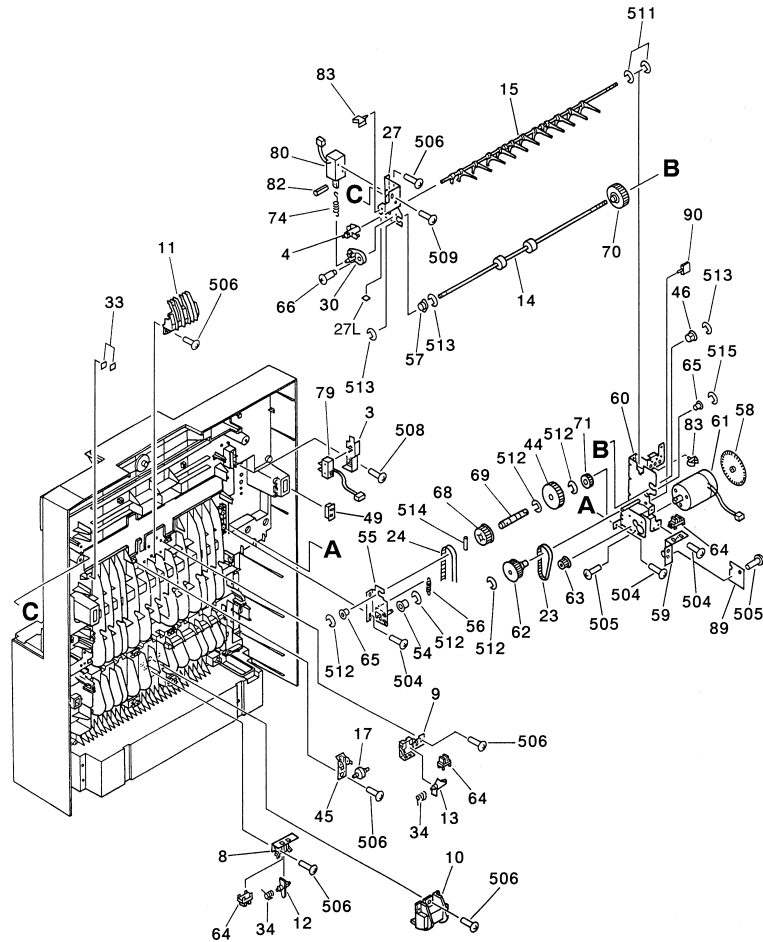
Z-2110 Internal components 1



INDEX	SP.	PART NO.	DESCRIPTION	QTY
			INTERNAL COMPONENTS 1	1
1		9156.045	- PLAIN WASHER	2
2		9166.566	- CUSHION	2
5	●	9166.568	- LATCH	1
6		9166.569	- ROLLER CATCH	1
7		9166.570	- NUT PLATE CATCH	1
21	●	9166.312	- TAPE HOLD	1
31		9166.586	- LEFT INTERNAL COVER	1
32		9166.587	- RIGHT INTERNAL COVER	1
36	●	9166.316	- STATIC CHARGE ELIMINATOR	2
38		9166.589	- CONNECTOR COVER	1
40		9166.590	- LEVER	2
41		9166.591	- MAIN FRAME	1
42		9166.592	- LEVER HOLDING BLOCK	2
43		9166.593	- UPPER CROSSMEMBER	1
47	●	9166.322	- REAR PLATE	1
48	●	9166.323	- REAR HINGE	1
53		9166.595	- E RING	1
72	●	9166.332	- COMPRESSION SPRING	1
73	●	9166.333	- TENSION SPRING	2
75		9158.249	- LABEL "LICENSE NO."	1
77		9166.607	- SEAL TRAY A	1
78		9166.608	- SEAL TRAY B	1
81	●	9135.120	- CLIP. EDGE	1
84		9166.610	- BIN DESIGNATED LABEL	1
85		9166.611	- SCREW W/WASHER M4X6	5
86		9166.612	- TRAY HOLDING PLATE	1
87		9166.621	- WING STEPPED BOLT	1
105	●	9166.379	- TRAY CONTROLLER PBA	1
501		9158.351	- SCREW TAPPING TRUSS HEAD	4
502		9166.615	- CT SCREW M4X8	1
503		9156.529	- SCREW TRUSS HEAD M4X6	11
504		9166.562	- CT SCREW M4X6	1
505	●	9155.843	- MACH.TRUSS HEAD SCREW	4
506		9156.120	- SCREW TP TRUSS HEAD M4	1

INDEX	SP.	PART NO.	DESCRIPTION	QTY
	511	9156.530	- SCREW TP M4X6	1
	512	9155.834	- E RING	1

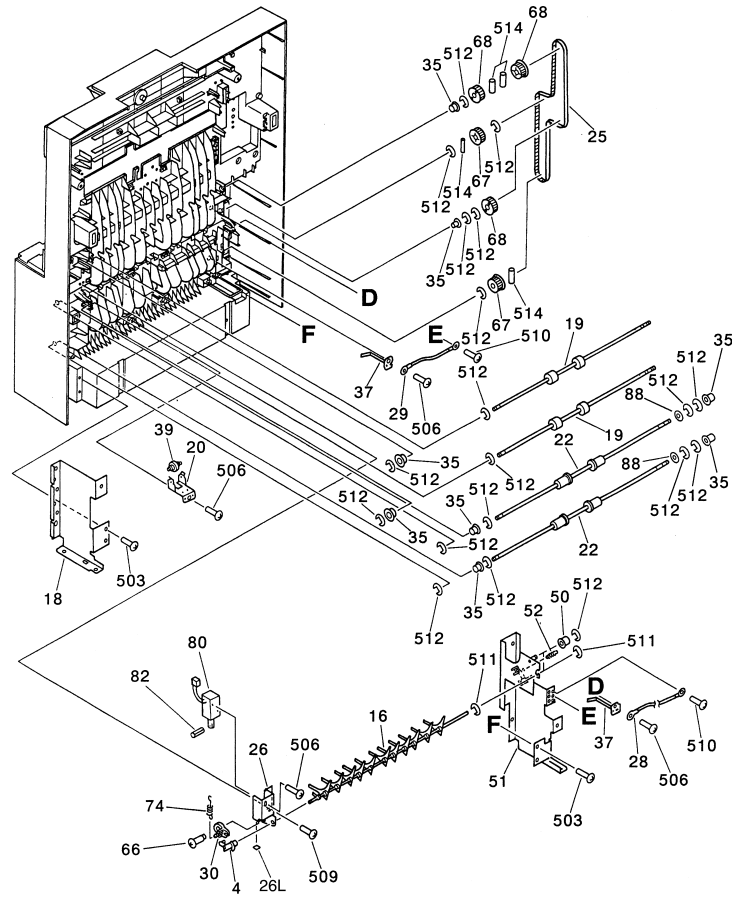
Z-2113 Internal components 2



INDEX	SP.	PART NO.	DESCRIPTION	QTY
			INTERNAL COMPONENTS 2	1
3		9166.567	- MOUNT SWITCH 2	1
4	●	9166.303	- BUSHING FLAPPER	2
8	●	9166.304	- LOWER SENSOR MOUNT	2
9	●	9166.305	- UPPER SENSOR MOUNT	1
10	●	9166.571	- LOWER COVER SENSOR	2
11	●	9166.572	- UPPER COVER SENSOR	1
12	●	9166.306	- LOWER SENSOR LEVER	2
13	●	9166.307	- UPPER SENSOR LEVER	1
14		9166.573	- ROLLER SHAFT INLET	1
15	●	9166.308	- UPPER DEFLECTOR	1
17	●	9166.310	- ROLLER	2
23		9166.577	- TIMING BELT 71T	1
24		9166.578	- TIMING BELT 145T	1
27		9166.582	- UPPER MOUNT DEFLECTOR	1
27L		9166.583	- SHEET	1
30	●	9166.313	- DEFLECTOR LINK	2
33		9166.588	- DEFLECTOR DAMPER	2
34	●	9166.314	- TORSION SPRING	3
44	●	9166.319	- GEAR 48T	1
45	●	9166.320	- LEAF SPRING	2
46	●	9166.321	- BUSHING	1
49	●	9156.113	- LATCH MAGNET	2
54	●	9166.326	- ROLLER	1
55		9166.596	- UPPER DRIVE MOUNT	1
56	●	9166.327	- TENSION SPRING	1
57	●	9166.328	- BUSHING	1
58	●	9166.329	- CLOCK DISK	1
59		9166.597	- SENSOR MOUNT	1
60		9166.598	- MOTOR MOUNT	1
61	●	9166.330	- MOTOR DC24V	1
62		9166.599	- GEAR PULLEY 16T/54T	1
63		9166.600	- PULLEY 18T	1
64	●	9166.331	- PHOTO-INTERRUPTER	4
65	●	9157.508	- BUSHING	2

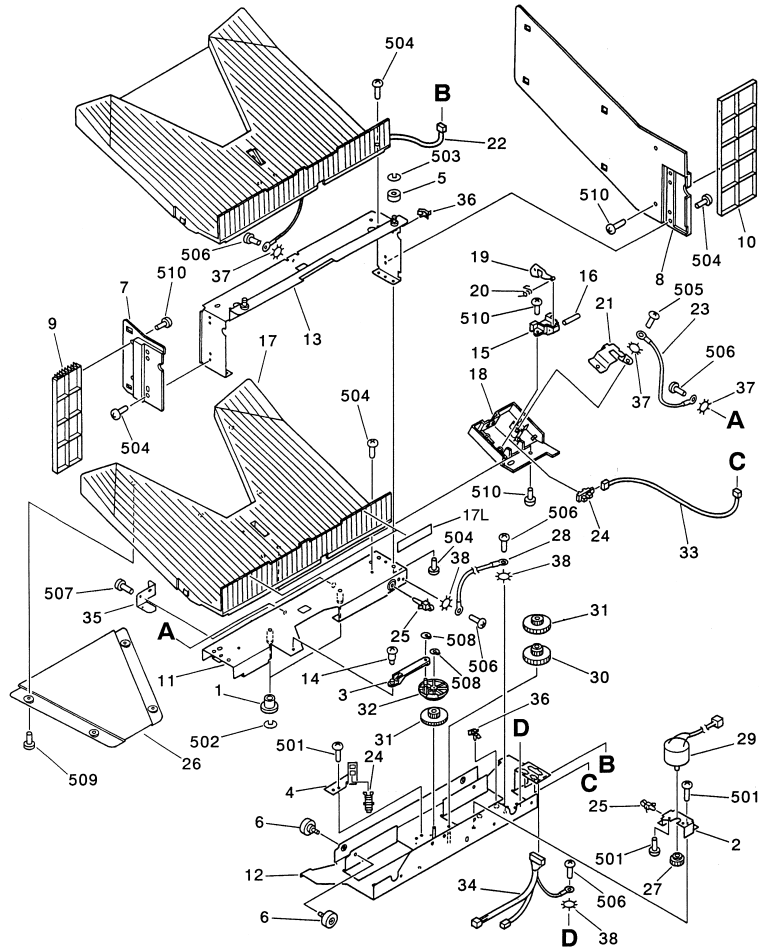
INDEX	SP.	PART NO.	DESCRIPTION	QTY
66	●	9135.334	- SCREW. STEPPED. M4	1
68		9166.602	- PULLEY 40T	1
69		9166.603	- IDLER SHAFT	1
70		9166.604	- GEAR 40T	1
71		9166.605	- GEAR 18T	1
74	●	9166.336	- TENSION SPRING	2
79		9166.609	- HARNESS JOINT SENSOR	1
80	●	9166.334	- SOLENOID DC42V	2
82		9158.302	- PIN SPRING	1
83	●	9156.262	- CLIP CABLE	2
89	●	9166.335	- BACK-UP PBA ASSY	1
90		9136.281	- CLAMP	1
504		9166.562	- CT SCREW M4X6	1
505	●	9155.843	- MACH.TRUSS HEAD SCREW	2
506		9156.120	- SCREW TP TRUSS HEAD M4	1
508		9157.870	- SCREW TP TRUSS HEAD M3X8	1
509		9155.832	- MACH.TRUSS.HEAD SCREW	1
511		9156.530	- SCREW TP M4X6	1
512		9155.834	- E RING	2
513		9156.275	- RING-E	2
514		9157.143	- PIN DOWEL	1
515		9156.215	- RING-E	5

Z-2116 Internal components 3



INDEX	SP.	PART NO.	DESCRIPTION	QTY
			INTERNAL COMPONENTS 3	1
4	●	9166.303	- BUSHING FLAPPER	1
16	●	9166.309	- LOWER DEFLECTOR	1
18		9166.574	- FRONT PLATE	1
19		9166.575	- FEEDER ROLLER SHAFT	2
20	●	9166.311	- LEAF SPRING	4
22		9166.576	- DELIVERY ROLLER SHAFT	2
25		9166.579	- TIMING BELT 258T	1
26		9166.580	- LOWER MOUNT	1
26L		9166.583	- SHEET	1
28		9166.584	- HARNESS 2	1
29		9166.585	- HARNESS 1	1
35	●	9166.315	- BUSHING	8
37	●	9166.317	- LEAF SPRING	2
39	●	9166.318	- ROLLER	4
50	●	9166.324	- ROLLER	2
51		9166.594	- LOWER DRIVE MOUNT	1
52	●	9166.325	- TENSION SPRING	1
66	●	9135.334	- SCREW. STEPPED. M4	1
67		9166.601	- PULLEY 27T	2
68		9166.602	- PULLEY 40T	3
74	●	9166.336	- TENSION SPRING	2
82		9158.302	- PIN SPRING	2
88		9166.613	- FLANGE	4
503		9156.529	- SCREW TRUSS HEAD M4X6	11
506		9156.120	- SCREW TP TRUSS HEAD M4	1
509		9155.832	- MACH.TRUSS.HEAD SCREW	4
511		9156.530	- SCREW TP M4X6	1
512		9155.834	- E RING	1
514		9157.143	- PIN DOWEL	5

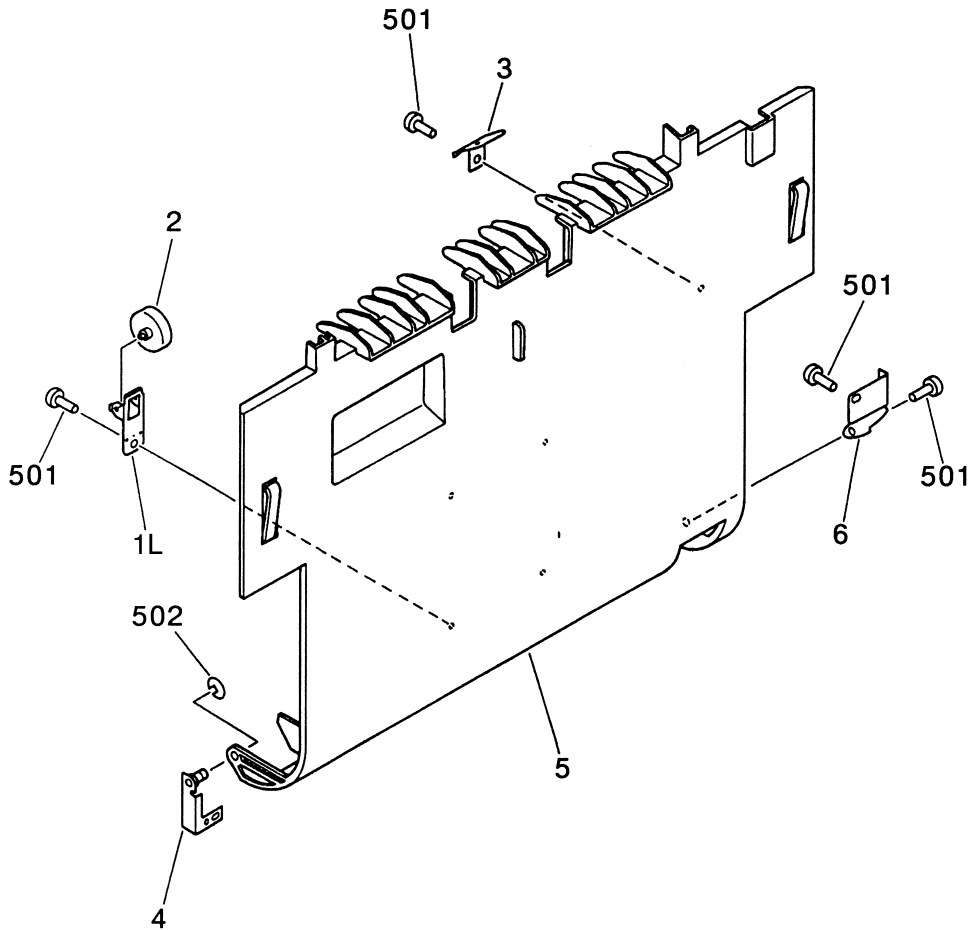
Z-2120 Offset assy



INDEX	SP.	PART NO.	DESCRIPTION	QTY
			OFFSET ASSY	1
1		9166.616	- GUIDE ROLLER	2
2		9166.622	- MOTOR MOUNT	1
3		9166.286	- LINK	1
4		9166.624	- SENSOR PLATE 1	1
5		9165.423	- BEARING BALL	2
6		9166.625	- ROLLER	4
7	●	9166.626	- FRONT COVER	1
8	●	9166.627	- REAR COVER	1
9	●	9166.628	- FRONT PLATE	1
10	●	9166.629	- REAR PLATE	1
11		9166.630	- UPPER MOUNT	1
12		9166.631	- LOWER MOUNT	1
13		9166.632	- TRAY MOUNT	1
14	●	9158.073	- SCREW STEPPED M3X4	1
15		9166.633	- SENSOR CASE	2
16		9166.634	- SHAFT	2
17	●	9166.635	- BIN	2
17L		9166.636	- MYLAR SHEET	2
18	●	9166.637	- SENSOR COVER	2
19		9166.638	- SENSOR LEVER	2
20		9166.639	- TORSION SPRING	2
21		9166.640	- GROUNDING PLATE	2
22		9166.641	- TRAY HARNESS 1	1
23		9166.642	- GROUNDING WIRE	2
24	●	9166.331	- PHOTO-INTERRUPTER PI10-11-12	3
25		9166.643	- CABLE CLIP	2
26	●	9166.644	- DUMMY TRAY	2
27	●	9166.338	- GEAR 22T	1
28		9166.645	- GROUNDING WIRE	1
29	●	9165.002	- MOTOR DC23V M7	1
30	●	9166.339	- GEAR 19T/62T	1
31	●	9166.340	- GEAR 19T/56T	2
32	●	9166.341	- GEAR 56T	1
33		9166.646	- TRAY HARNESS 2	1

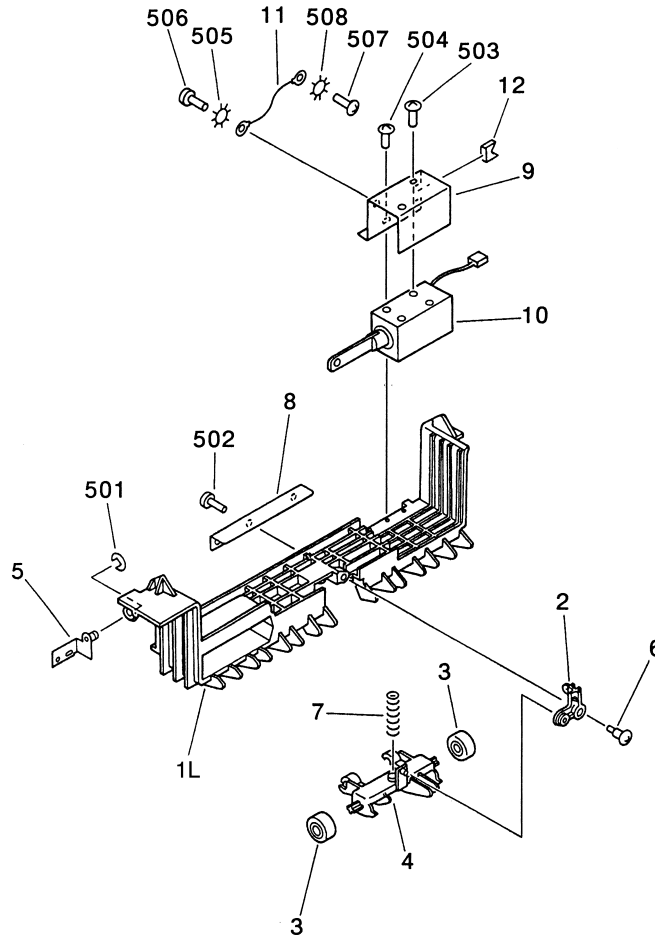
INDEX	SP.	PART NO.	DESCRIPTION	QTY
34		9166.647	- OFFSET HARNESS	1
35		9166.648	- OFFSET STOPPER	1
36		9166.649	- CLAMP	1
37		9166.062	- TOOTHED LOCK WASHER	4
38		9157.628	- WASHER TOOTHED LOCK	3
501		9156.121	- SCREW TRUSS HEAD M4X6	3
502		9156.275	- RING-E	2
503		9155.834	- E RING	2
504		9156.277	- SCREW TRUSS HEAD M4X6	1
505		9157.870	- SCREW TP TRUSS HEAD M3X8	8
506		9156.529	- SCREW TRUSS HEAD M4X6	1
507		9166.562	- CT SCREW M4X6	1
508		9157.737	- RING GRIP	2
509		9161.775	- SCREW TP TR HEAD M4X12	8
510		9166.650	- TH TAPPING SCREW M4X6	1

Z-2125 Right door assy

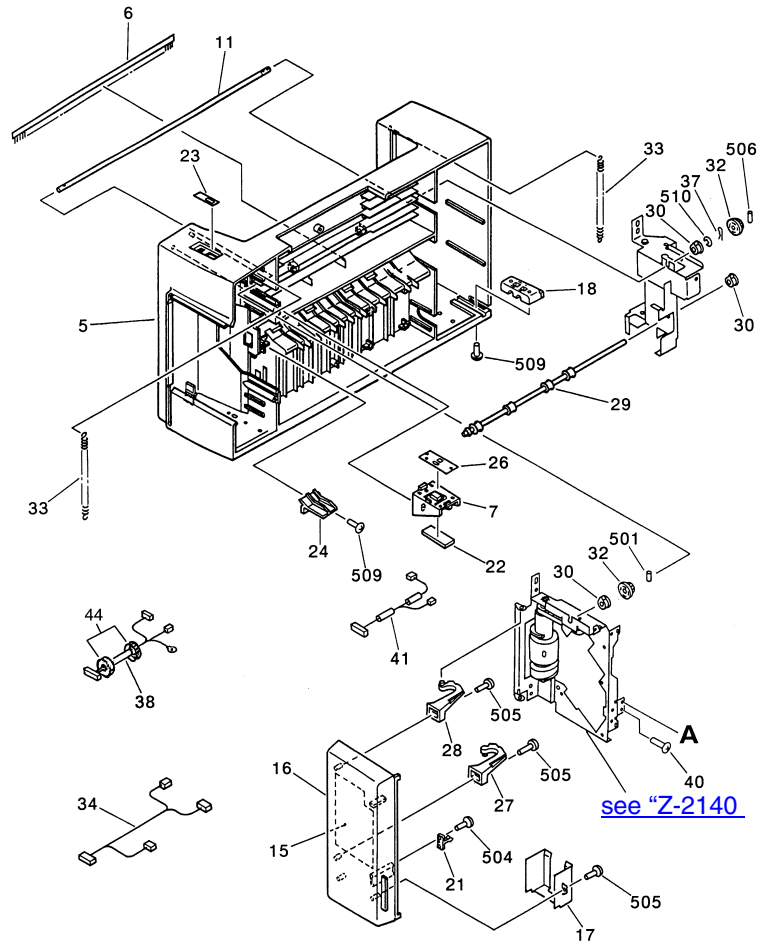


INDEX	SP.	PART NO.	DESCRIPTION	QTY
1		● 9166.651	RIGHT DOOR ASSY	1
	1L	9166.652	- RIGHT DOOR ASSY	1
	2	9166.653	-- ROLLER HOLDER	4
	3	9166.654	-- ROLLER	4
	4	9166.655	-- BAND HOLDING PLATE	1
	5	9166.656	-- FRONT PLATE	1
	6	9166.657	-- RIGHT DOOR	1
	501	9156.120	-- HINGE PLATE	1
	502	9155.834	-- SCREW TP TRUSS HEAD M4	7
			-- E RING	1

Z-2130 Upper paper guide assy

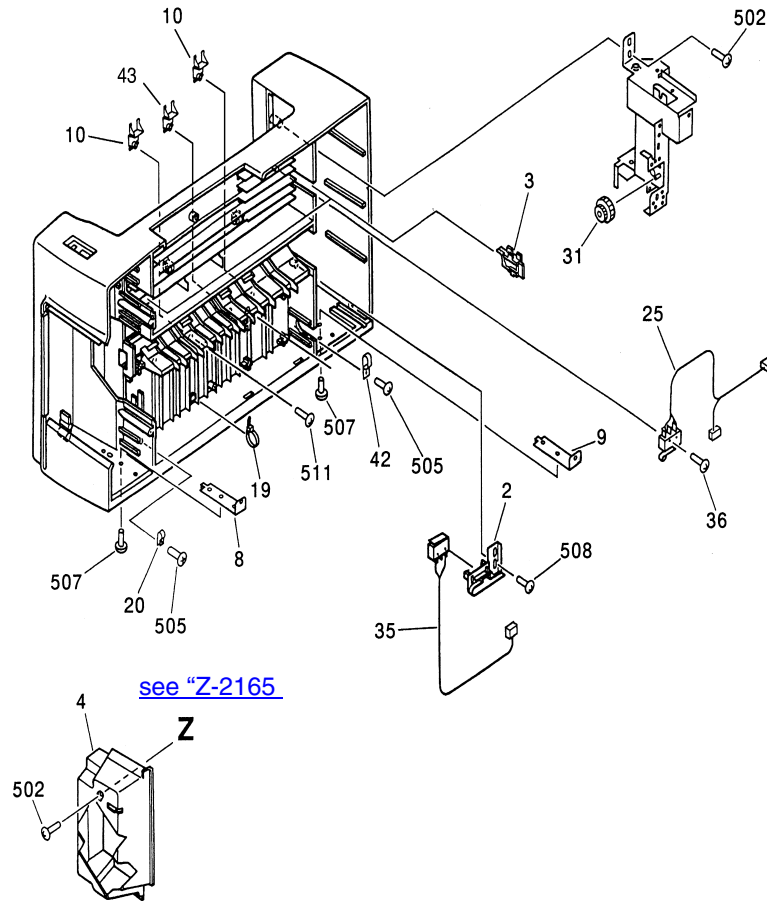


INDEX	SP.	PART NO.	DESCRIPTION	QTY
1			UPPER PAPER GUIDE ASSY	1
		● 9166.658	- UPPER PAPER GUIDE ASSY	1
	1L	9166.659	-- UPPER DOOR	1
	2	9166.660	-- LINK 1	1
	3	● 9166.343	-- ROLLER	2
	4	9166.661	-- ROLLER HOLDER	1
	5	9166.662	-- FRONT HINGE	1
	6	● 9135.334	-- SCREW. STEPPED. M4	1
	7	9166.663	-- COMPRESSION SPRING	1
	8	9166.664	-- REINFORCEMENT PLATE	1
	9	9166.665	-- SOLENOID COVER	1
	10	● 9166.342	-- SOLENOID SL3	1
	11	9166.666	-- GROUNDING WIRE	1
	12	● 9135.120	-- CLIP. EDGE	1
	501	9155.834	-- E RING	1
	502	9156.529	-- SCREW TRUSS HEAD M4X6	1
	503	9155.832	-- MACH.TRUSS.HEAD SCREW	2
	504	9156.121	-- SCREW TRUSS HEAD M4X6	1
	505	9157.628	-- WASHER TOOTHED LOCK	1
	506	9158.049	-- SCREW TRUSS HEAD M4X4	1
507	9156.529	-- SCREW TRUSS HEAD M4X6	1	
508	9157.628	-- WASHER TOOTHED LOCK	1	

Z-2135 Sorter assy 1

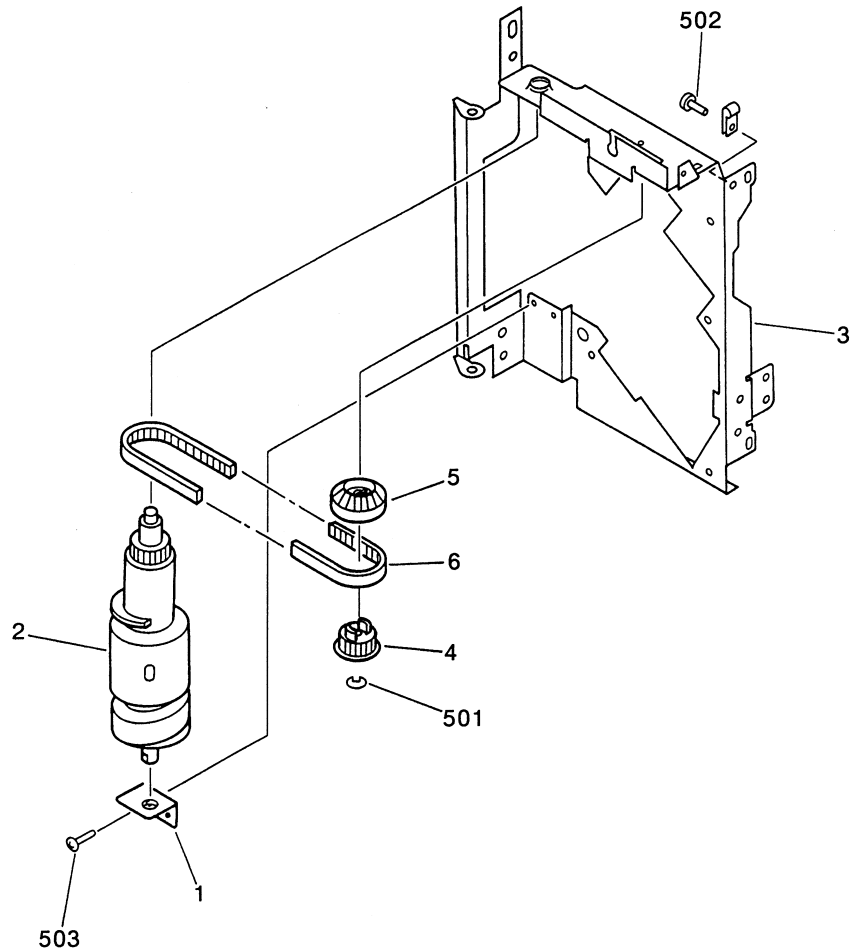
INDEX	SP.	PART NO.	DESCRIPTION	QTY
			SORTER ASSY 1	1
5	●	9166.671	- MAIN BODY COVER	1
6	●	9166.344	- STATIC CHARGE ELIMINATOR	1
7		9166.672	- SWITCH MOUNT	1
11		9166.675	- DRIVE SHAFT	1
15		9166.679	- LABEL	1
16	●	9166.680	- STAPLER COVER	1
17	●	9166.681	- STAPLER HOLDER	1
18	●	9166.682	- CORD HOLDER	1
21		9166.685	- LATCH	1
22	●	9166.346	- CONTROL PANEL PBA UNIT	1
23	●	9166.686	- SWITCH SHEET	1
24	●	9166.687	- LOWER GUIDE	1
26		9166.689	- SWITCH PLATE	1
27	●	9166.690	- LOWER HINGE	1
28	●	9166.691	- LOWER HINGE	1
29	●	9166.820	- DELIVERY ROLLER	1
30	●	9166.347	- BUSHING	3
32	●	9166.349	- BEVEL GEAR 22T	2
33	●	9166.350	- TENSION SPRING	2
34		9166.693	- HARNESS STAPLE SLIDING	1
37		9166.696	- SNAP PIN	1
38		9166.697	- HARNESS INTERFACE	1
40		9166.559	- SELF-TAPPING TH SCREW	4
41		9166.698	- HARNESS DISPLAY	1
44		9166.042	- FERRITE CORE	2
501		9157.143	- PIN DOWEL	1
504		9158.472	- SCREW TP TRUSS HEAD M3	7
505		9158.792	- SCREW TP TRUSS HEAD M4X10	5
506		9157.055	- PIN SPRING	1
509		9166.702	- CT SCREW M4X8	24
510		9156.215	- RING-E	1

Z-2138 Sorter assy 2



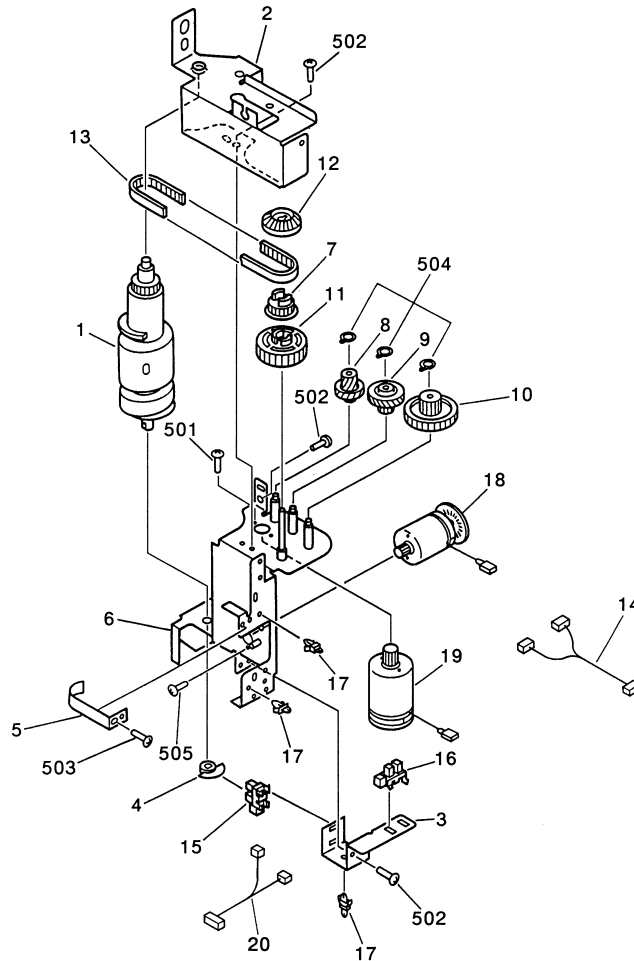
INDEX	SP.	PART NO.	DESCRIPTION	QTY
			SORTER ASSY 2	1
2		9166.668	- MOUNT SWITCH 1	1
3	●	9166.669	- COVER PLATE	2
4		9166.670	- INTERNAL COVER	1
8		9166.673	- FRONT NUT PLATE	1
9		9166.674	- REAR NUT PLATE	1
10	●	9166.345	- LIB	4
19		9166.683	- CABLE CLIP	1
20		9166.684	- CABLE CLAMP	1
25		9166.688	- HARNESS SENSOR MS2	1
31	●	9166.348	- GEAR 24T/32T	1
35		9166.694	- HARNESS SHIFT HP SENSOR MS1	1
36		9166.695	- SNAP PIN	1
42		9166.699	- CABLE CLAMP	1
43		9166.914	- LIB 2 TRAY	1
502		9156.122	- SCREW TRUSS HEAD M4X8	1
505		9158.792	- SCREW TP TRUSS HEAD M4X10	5
507		9166.701	- TH MACH SCREW	5
508		9165.345	- TAPPING TH SCREW M3X6	1
511		9157.870	- SCREW TP TRUSS HEAD M3X8	6

Z-2140 Sorter front drive assy

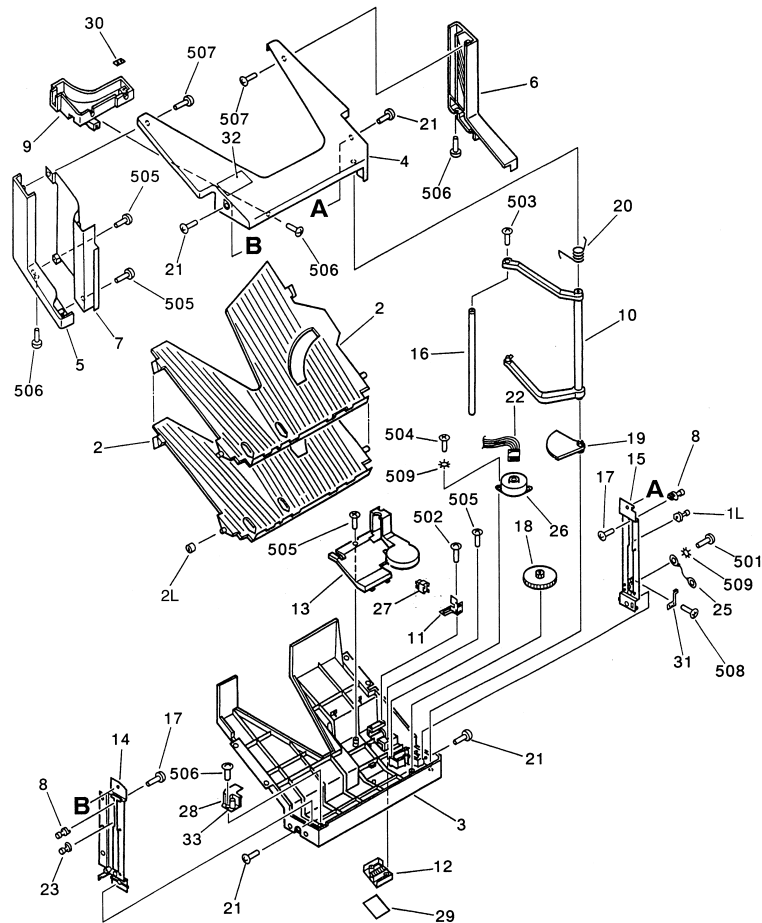


INDEX	SP.	PART NO.	DESCRIPTION	QTY
			SORTER FRONT DRIVE ASSY	1
1		9166.706	- CAM MOUNT	1
2		9166.705	- SPIRAL CAM	1
3		9166.704	- FRONT FRAME	1
4	●	9166.497	- PULLEY	1
5	●	9166.349	- BEVEL GEAR 22T	1
6	●	9166.355	- TIMING BELT	1
501		9156.215	- RING-E	1
502		9166.562	- CT SCREW M4X6	1
503		9166.702	- CT SCREW M4X8	2

Z-2145 Sorter rear drive assy

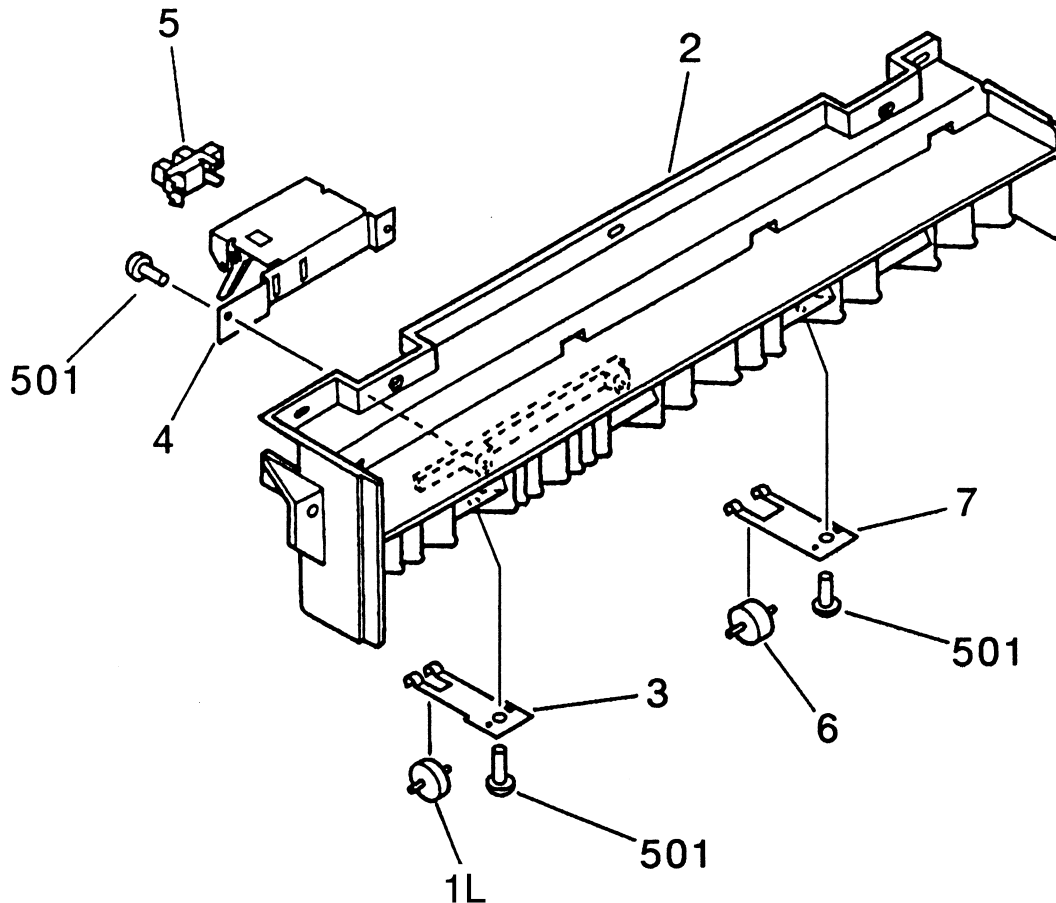


INDEX	SP.	PART NO.	DESCRIPTION	QTY
			SORTER REAR DRIVE ASSY	1
1		9166.705	- SPIRAL CAM	1
2		9166.708	- REAR FRAME 2	1
3		9166.709	- SENSOR PLATE	1
4		9166.710	- SENSOR FLAG	1
5		9166.711	- LEAF SPRING	1
6		9166.712	- REAR FRAME 1	1
7	●	9166.497	- PULLEY	1
8	●	9166.351	- GEAR 16T/32T	1
9	●	9166.352	- GEAR 16T/39T	1
10	●	9166.353	- GEAR 14T/59T	1
11	●	9166.354	- GEAR 34T	1
12	●	9166.349	- BEVEL GEAR 22T	1
13	●	9166.355	- TIMING BELT	1
14		9166.713	- HARNESS MOTOR	1
15	●	9161.902	- PHOTO-INTERRUPTER PI1	1
16	●	9166.356	- PHOTO-INTERRUPTER PI2	1
17		9166.643	- CABLE CLIP	3
18	●	9166.357	- MOTOR DC24V M2	1
19	●	9166.358	- MOTOR DC22.5V M1	1
20	●	9166.359	- SENSOR HARNESS 2	1
501		9157.456	- SCREW TRUSS HEAD M3X4	2
502		9166.702	- CT SCREW M4X8	3
503		9166.282	- CT SCREW M4X8	1
504		9157.737	- RING GRIP	3
505		9166.715	- TH MACH SCREW M2.6X4	2

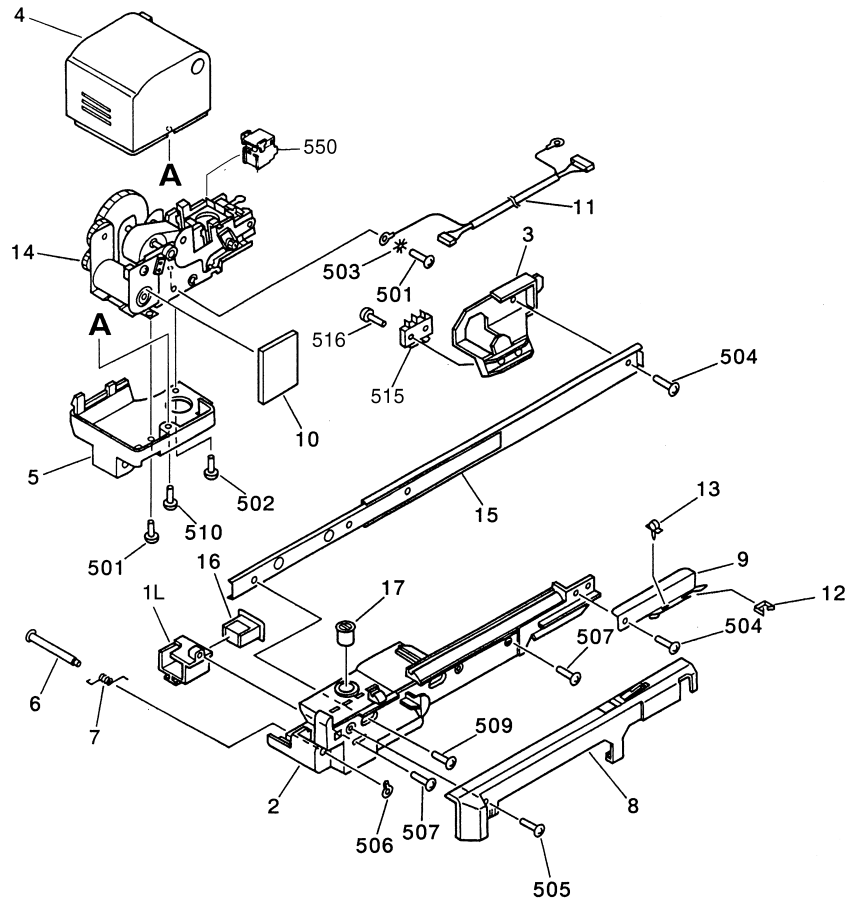
Z-2150 Bin assy

INDEX	SP.	PART NO.	DESCRIPTION	QTY
1			BIN ASSY	1
		● 9166.716	-- BIN ASSY	1
	1L	● 9166.717	-- REAR DUMMY PIN	1
	2	● 9166.718	-- BIN	10
	2L	9166.719	-- BIN ROLLER	2
	3	● 9166.720	-- BIN BASE	1
	4	● 9166.721	-- BIN COVER	1
	5	● 9166.722	-- FRONT COVER	1
	6	● 9166.723	-- REAR COVER	1
	7	● 9166.724	-- BIN COVER	1
	8	9166.725	-- UPPER SHAFT	2
	9	● 9166.726	-- UPPER COVER	1
	10	● 9166.727	-- SECTOR ARM	1
	11	9166.728	-- SENSOR PLATE	1
	12	9166.729	-- CORD HOLDER	1
	13	9166.730	-- HARNESS COVER	1
	14	9166.731	-- FRONT PLATE	1
	15	9166.732	-- REAR PLATE	1
	16	9166.733	-- BAR	1
	17	9166.734	-- STOPPER PIN SCREW	1
	18	● 9166.360	-- GEAR 18T	1
	19	● 9166.361	-- GEAR 140T	1
	20	● 9166.362	-- TORSION SPRING	1
	21	9166.735	-- TH MACH SCREW M4X8	4
	22	9166.736	-- HARNESS BIN ASSY	1
	23	● 9166.737	-- FRONT DUMMY PIN	1
	25	9166.738	-- GROUNDING CABLE	1
	26	● 9166.363	-- DC STEPPING MOTOR M4	1
	27	● 9161.902	-- PHOTO-INTERRUPTER PI5	1
	28	● 9166.364	-- PHOTO-TRANSISTOR PI1	1
	29	9166.739	-- SEAL	1
	30	● 9161.770	-- LED PBA LED1	1
	31	9166.740	-- SWITCH LEVER	1
32	9166.741	-- LABEL "MANUAL STAPLE"	1	
33	9166.742	-- LOWER COVER	1	

INDEX	SP.	PART NO.	DESCRIPTION	QTY
	501	9156.535	-- SCREW TRUSS HEAD M3X8	1
	502	9156.122	-- SCREW TRUSS HEAD M4X8	1
	503	9166.743	-- TH TAPPING SCREW M3X10	1
	504	9166.744	-- TH TAPPING SCREW M3X10	1
	505	9158.792	-- SCREW TP TRUSS HEAD M4	6
	506	9156.669	-- SCREW TP TRUSS HEAD M4X10	6
	507	9166.746	-- TH TAPPING SCREW M4X14	2
	508	9166.562	-- CT SCREW M4X6	3
	509	9157.628	-- WASHER TOOTHED LOCK	4

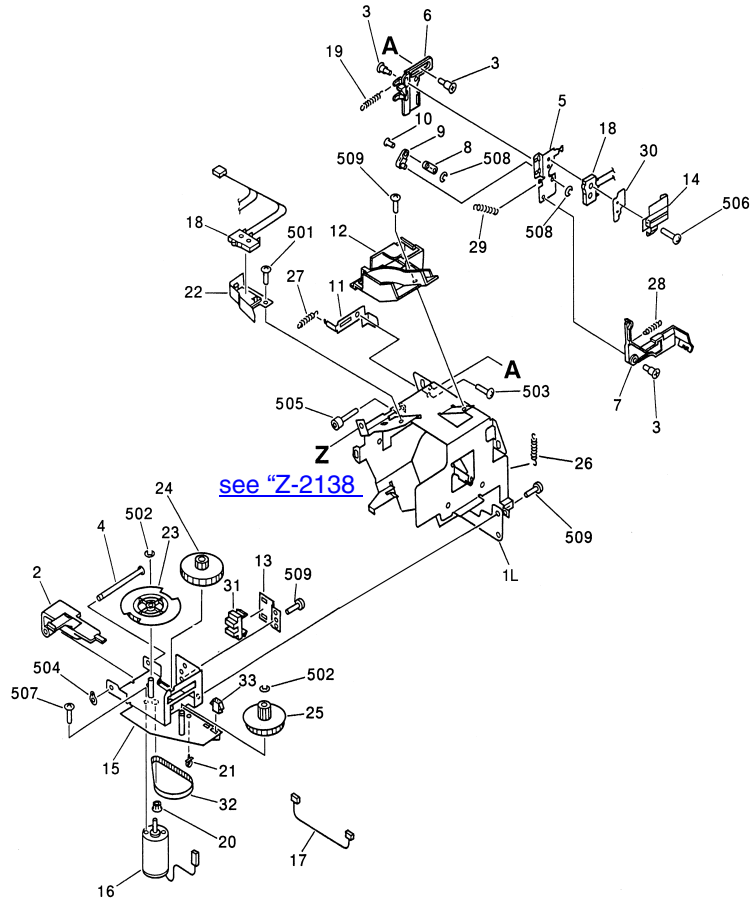
Z-2155 Paper guide assy

INDEX	SP.	PART NO.	DESCRIPTION	QTY
			PAPER GUIDE ASSY	1
1		9166.749	- PAPER GUIDE ASSY	1
	1L	9166.750	-- ROLLER	3
	2	9166.751	--PAPER GUIDE	1
	3	● 9166.365	-- ROLLER SUPPORT PLATE	3
	4	9166.752	--PAPER SENSOR LEVER	1
	5	● 9161.902	-- PHOTO-INTERRUPTER PI3	1
	6	● 9166.366	-- ROLLER 2	1
	7	● 9166.367	-- ROLLER SUPPORT PLATE 2	1
8		9166.821	-- MOVING LIB	1
9		9166.822	-- SPRING PLATE	1
10		9166.823	-- SCREW M4X6	1
	501	9156.120	-- SCREW TP TRUSS HEAD M4X8	5

Z-2160 Stapler assy

INDEX	SP.	PART NO.	DESCRIPTION	QTY	
1			STAPLER ASSY	1	
		● 9166.758	- STAPLER ASSY	1	
	1L	● 9166.757	-- PUSH HOLDER	1	
	2	● 9166.756	-- STAPLER HOLDER	1	
	3	● 9166.755	-- ADAPTER RAIL	1	
	4	● 9166.754	-- UPPER COVER	1	
	5	● 9166.753	-- LOWER COVER	1	
	6		9166.759	-- HINGE SHAFT	1
	7		9166.760	-- TORSION SPRING	1
	8		9166.761	-- HARNESS COVER	1
	9	●	9166.762	-- STAPLER PANEL	1
	10		9166.763	-- PBA COVER	1
	11		9166.764	-- HARNESS 1 STAPLER	1
	12	●	9157.185	-- CLIP CORD	1
	13		9166.643	-- CABLE CLIP	1
	14	●	9166.368	-- STAPLER M3	1
	15		9166.766	-- SLIDE RAIL	1
	16		9166.767	-- LATCH PUSH	1
	17		9166.768	-- MAGNET CATCH	1
	501		9156.121	-- SCREW TRUSS HEAD M4X6	2
	502		9166.769	-- CSH MACH SCREW M4X6	1
	503		9157.628	-- WASHER TOOTHED LOCK	1
	504		9157.870	-- SCREW TP TRUSS HEAD M3X8	1
	505		9156.438	-- SCREW TP M4X8	1
	506		9157.460	-- RING GRIP	1
	507		9166.770	-- CT SCREW M3X6	2
	509		9165.345	-- TAPPING TH SCREW M3X6	2
	510		9166.744	-- TH TAPPING SCREW M3X10	1
	515	●	9166.369	- MICROSWITCH MS4	1
	516		9166.771	- TH TAPPING SCREW M2.3X10	1
	550	●	29701.442	- S17 STAPLE CARTRIDGE (3X2000)	1

Z-2165 Slide assy

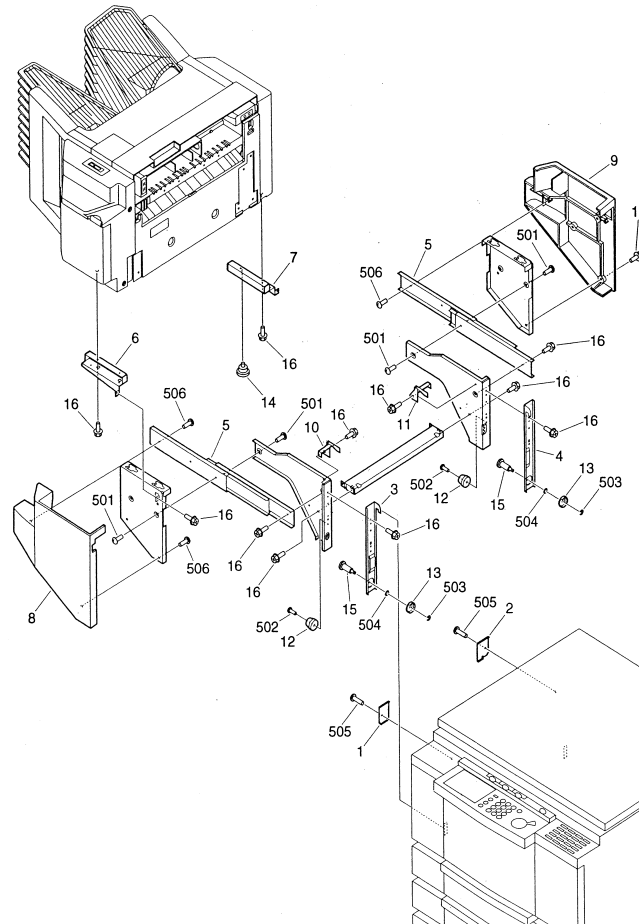


INDEX	SP.	PART NO.	DESCRIPTION	QTY
1			SLIDE ASSY	1
		● 9166.773	-- SLIDE ASSY	1
	1L	9166.774	-- STAPLER FRAME	1
	2	9166.775	-- SLIDING PLATE	1
	3	9166.776	-- STEPPED SCREW M3	2
	4	9166.777	-- SLIDE ROLLER SHAFT	1
	5	9166.778	-- GUIDE PLATE 1	1
	6	9166.779	-- GUIDE PLATE 2	1
	7	9166.780	-- PAPER GUIDE	1
	8	9166.781	-- LINK 1	1
	9	9166.782	-- LINK 2	1
	10	9166.783	-- PIN	1
	11	9166.784	-- ADJUSTING PLATE	1
	12	● 9166.785	-- CABLE COVER	1
	13	9166.786	-- SENSOR MOUNT	1
	14	9166.787	-- SWITCH COVER	1
	15	9166.788	-- MOTOR MOUNT	1
	16	● 9166.377	-- MOTOR DC24V M5	1
	17	9166.789	-- SENSOR CABLE	1
	18	● 9166.370	-- SWITCH CABLE MS5-7	2
	19	● 9166.371	-- TENSION SPRING	1
	20	● 9166.372	-- PULLEY 12T	1
	21	9166.790	-- CABLE CLIP	1
	22	9166.791	-- SWITCH MOUNT	1
	23	● 9166.373	-- GEAR 64T	1
	24	● 9166.374	-- GEAR 18T/56T	1
	25	● 9166.375	-- PULLEY-GEAR 18T/48T	1
	26	● 9166.792	-- TENSION SPRING	1
	27	9166.793	-- TENSION SPRING	1
	28	9166.794	-- TENSION SPRING	1
	29	9166.795	-- TENSION SPRING	1
	30	9166.796	-- MICROSWITCH SHEET	1
	31	● 9161.902	-- PHOTO-INTERRUPTER PI4	1
32	● 9166.376	-- TIMING BELT	1	
33	9156.204	-- CONNECTOR SNAP TIGHT	1	

INDEX	SP.	PART NO.	DESCRIPTION	QTY
	501	● 9155.843	-- MACH.TRUSS HEAD SCREW	1
	502	9158.324	-- RING-E	2
	503	9166.797	-- CT SCREW M3X6	1
	504	9157.737	-- RING GRIP	1
	505	9165.346	-- ALLEN HEAD SCREW M3X14	1
	506	9166.798	-- TH MACH SCREW M2.3X8	1
	507	9136.035	-- SCREW. M2.6X4	2
	508	9166.799	-- E-RING	2
	509	9166.562	-- CT SCREW M4X6	6

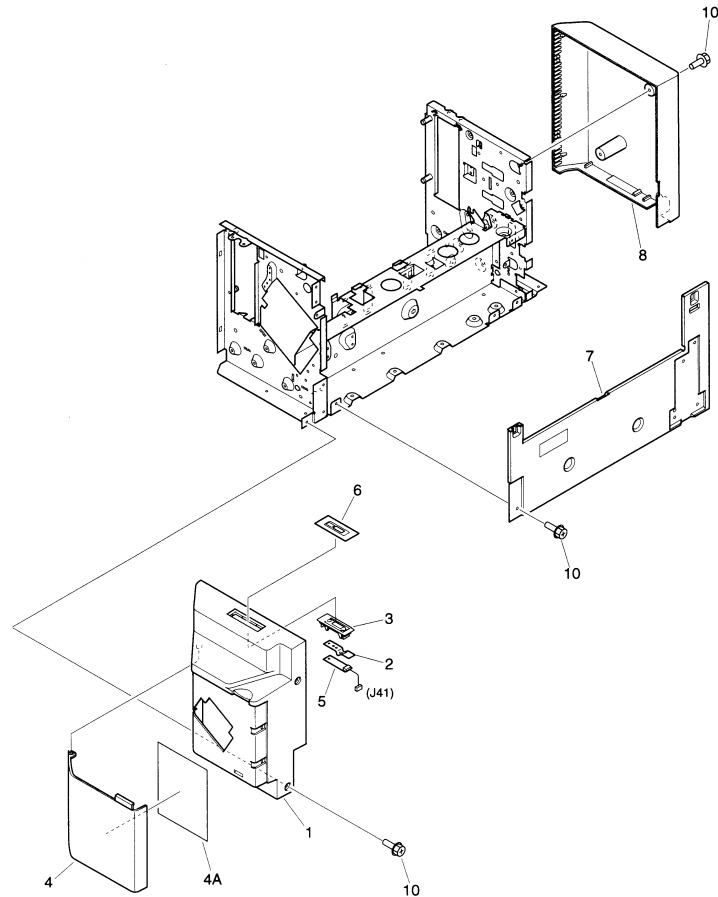
21. Stapler sorter-E

Z-2175 Mounting hardware



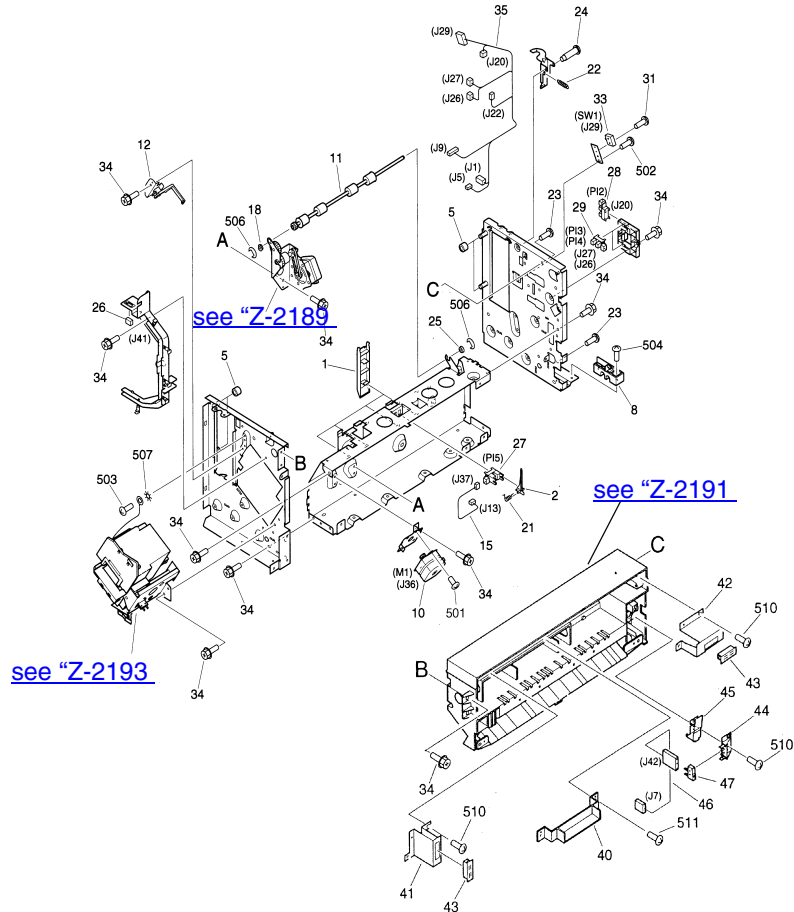
INDEX	SP.	PART NO.	DESCRIPTION	QTY
			MOUNTING HARDWARE	1
1		9180.535	- MAGNET, FRONT PLATE	1
2		9180.536	- MAGNET, REAR PLATE	1
3		9180.537	- HOOK, FRONT PLATE	1
4		9180.538	- HOOK, REAR PLATE	1
5		9180.539	- SLIDE RAIL	2
6		9180.540	- MOUNTING, FRONT BASE	1
7		9180.541	- MOUNTING, REAR BASE	1
8		9180.542	- LOWER, FRONT COVER	1
9		9180.543	- LOWER, REAR COVER	1
10		9180.544	- FRONT STOPPER	1
11		9180.545	- REAR STOPPER	1
12		9180.546	- FOOT RUBBER	2
13		9180.547	- MOUNTING BLOCK	2
14		9180.548	- STEPPED, M4 SCREW	4
15		9180.549	- CROSSMEMBER	2
16		9173.941	- SCREW RX M4X8	21
501		9156.277	- SCREW TRUSS HEAD M4X6	6
502		9173.556	- SCREW MTH M3X8	2
503		9156.950	- RING-E	2
504		9158.239	- WASHER PLAIN	2
505		9180.552	- MTH M5X27 SCREW	2
506		9156.975	- SCREW TP TRUSS HEAD M4	5

Z-2181 External covers / panels



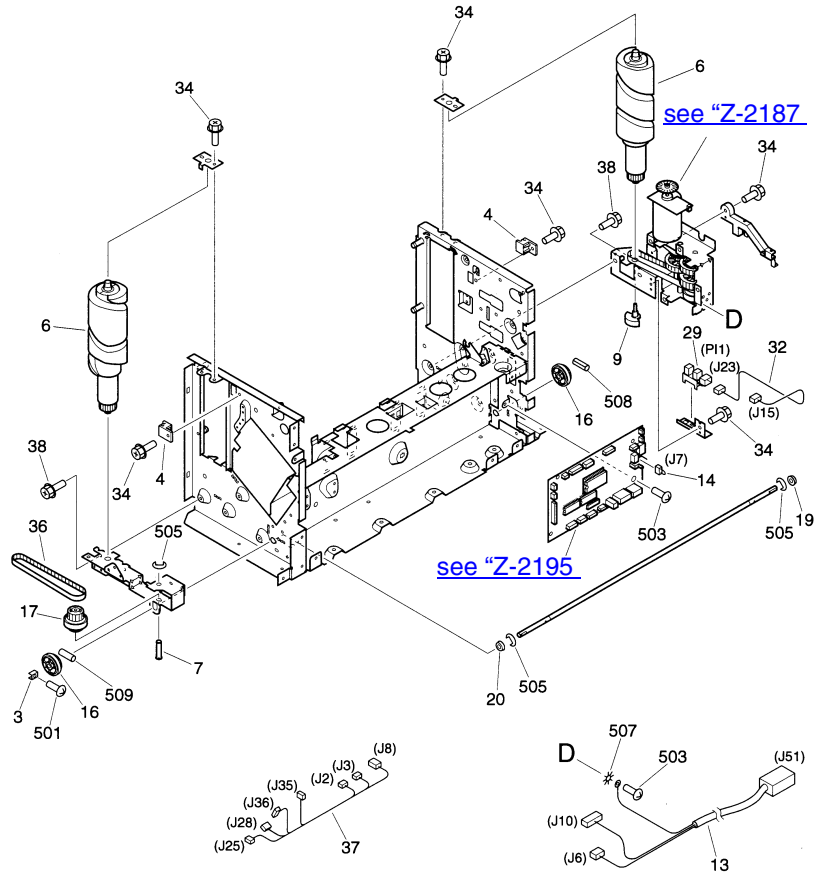
INDEX	SP.	PART NO.	DESCRIPTION	QTY
			EXTERNAL COVERS/PANELS	1
1		9180.570	- FRONT COVER	1
2		9180.571	- INSULATING SHEET	1
3	●	9180.508	- SWITCH HOLDER	1
4		9180.572	- STAPLER DOOR	1
4A		9180.573	- JAM LABEL	1
5	●	9180.509	- MANUAL STAPLER PCB ASSEMBLY	1
6		9180.574	- STAPLER LABEL	1
7		9180.575	- CENTER COVER	1
8		9180.576	- REAR COVER	1
10		9173.941	- SCREW RS M4X8	6

Z-2183 Internal components 1
(FIGURE 1 OF 2)



Z-2183 Internal components

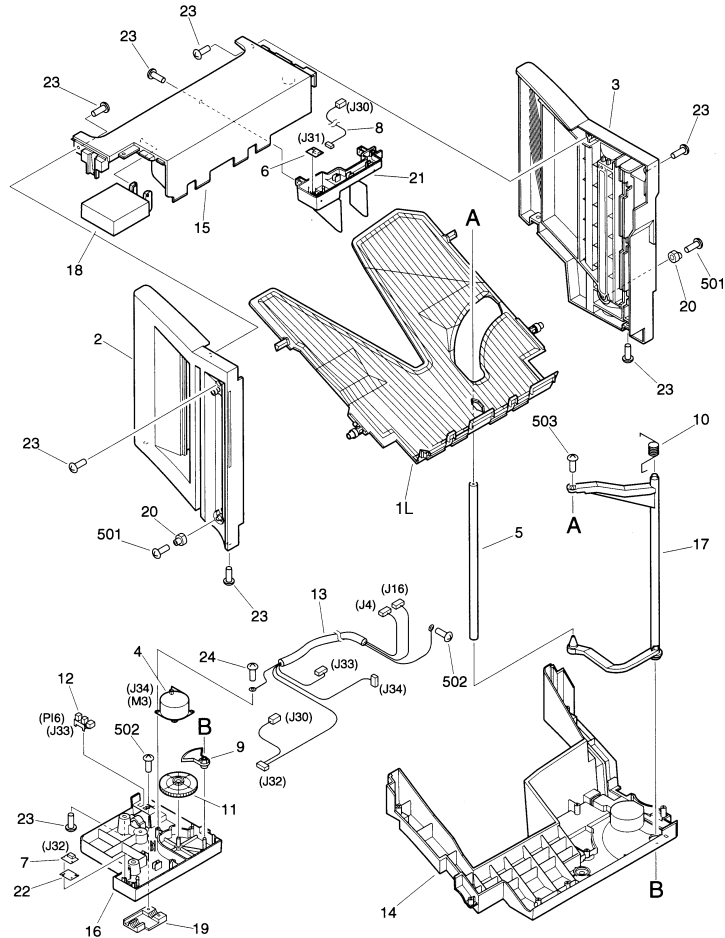
(FIGURE 2 OF 2)



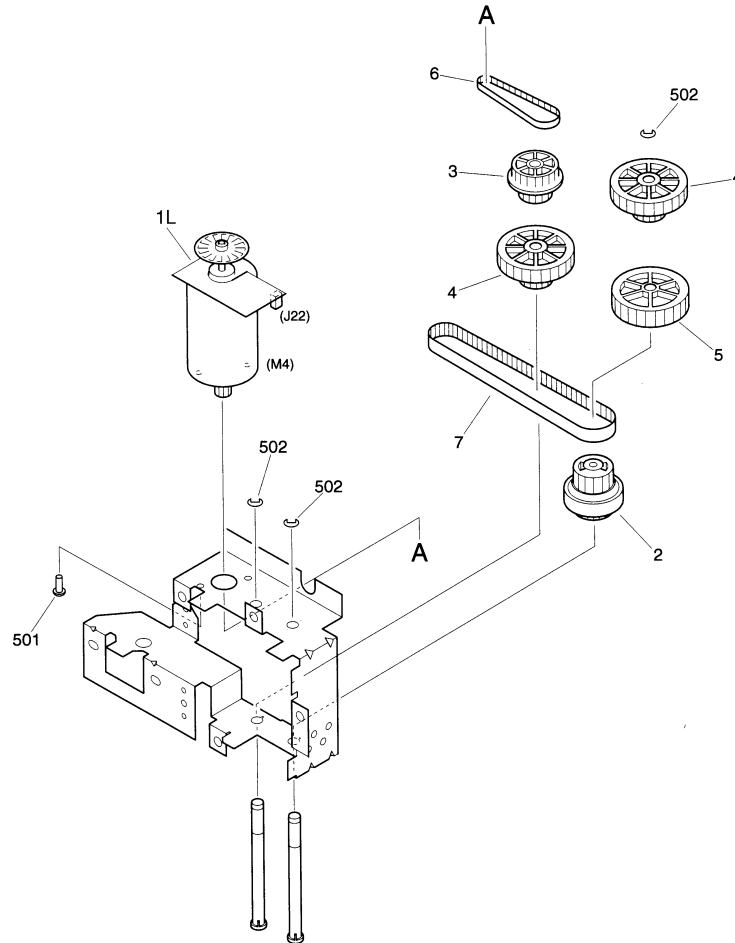
INDEX	SP.	PART NO.	DESCRIPTION	QTY
			INTERNAL COMPONENTS	1
1		9180.578	- RIB	4
2	●	9180.510	- SENSOR LEVER	1
3		9180.579	- ADJUSTING PLATE	1
4		9180.580	- BIN STOPPER	2
5		9180.581	- ROLLER	4
6		9180.582	- SPIRAL CAM	2
7		9180.583	- OFFSET SHAFT	1
8		9180.584	- CABLE, 1 HOLDER	1
9		9180.585	- FLAG	1
10	●	9180.511	- STEPPED, 24V MOTOR	1
11	●	9180.512	- DELIVERY ROLLER	1
12		9180.586	- HOLDING ARM	1
13		9180.587	- INTERFACE CABLE	1
14		9180.589	- JOINT CABLE	1
15		9180.590	- SENSOR CABLE	1
16		9180.591	- 30T GEAR	2
17		9180.530	- 30T/PULLEY, 22T GEAR	1
18		9180.952	- BUSHING	1
19		9180.531	- BUSHING	1
20		9180.532	- BUSHING	1
21	●	9180.513	- TORSION SPRING	1
22		9180.593	- TENSION SPRING	1
23		9174.948	- SCREW M4X10	5
24		9180.594	- STEPPED, M3 SCREW	1
25		9180.595	- BUSHING	1
26		9156.207	- CONNECTOR SNAP TIGHT	1
27	●	9180.514	- PHOTO-INTERRUPTER	1
28	●	9180.515	- PHOTO-INTERRUPTER	1
29	●	9180.516	- PHOTO-INTERRUPTER	3
31		9180.534	- MTH M2.3X10 SCREW	1
32		9180.597	- 2 REAR CABLE	1
33	●	9180.517	- SWITCH	1
34		9173.941	- SCREW RS M4X8	6
35		9180.599	- CABLE, 1 REAR	1

INDEX	SP.	PART NO.	DESCRIPTION	QTY
		36	● 9180.518 - 90T BELT	1
		37	9180.601 - FRONT CABLE	1
		38	9180.602 - S, M4X6 SCREW	10
		40	9180.659 - HANDLE, UPPER GUIDE	1
		41	9180.660 - SUPPORT, MAGNET, FRONT	1
		42	9180.661 - SUPPORT, MAGNET, REAR	1
		43	9180.662 - CATCH, MAGNET	1
		44	9180.663 - HOLDER, SWITCH	6
		45	9180.664 - SPRING, LEAF	1
		46	9180.665 - CABLE, SWITCH	1
		47	9180.517 - SWITCH	1
		501	9155.832 - MACH.TRUSS.HEAD SCREW M3X4	2
		502	● 9155.843 - MACH.TRUSS HEAD SCREW M3X6	1
		503	9156.277 - SCREW TRUSS HEAD M4X6	2
		504	9156.121 - SCREW TRUSS HEAD M4X6	1
		505	● 9155.834 - E RING	3
		506	9156.215 - RING-E	2
		507	9157.628 - WASHER TOOTHED LOCK	1
		508	9170.446 - SPRING PIN	1
		509	9180.603 - DOWEL PIN	1
		510	9156.975 - SCREW, TTH M4X10	5
		511	9156.975 - SCREW, TTH M4X10	2

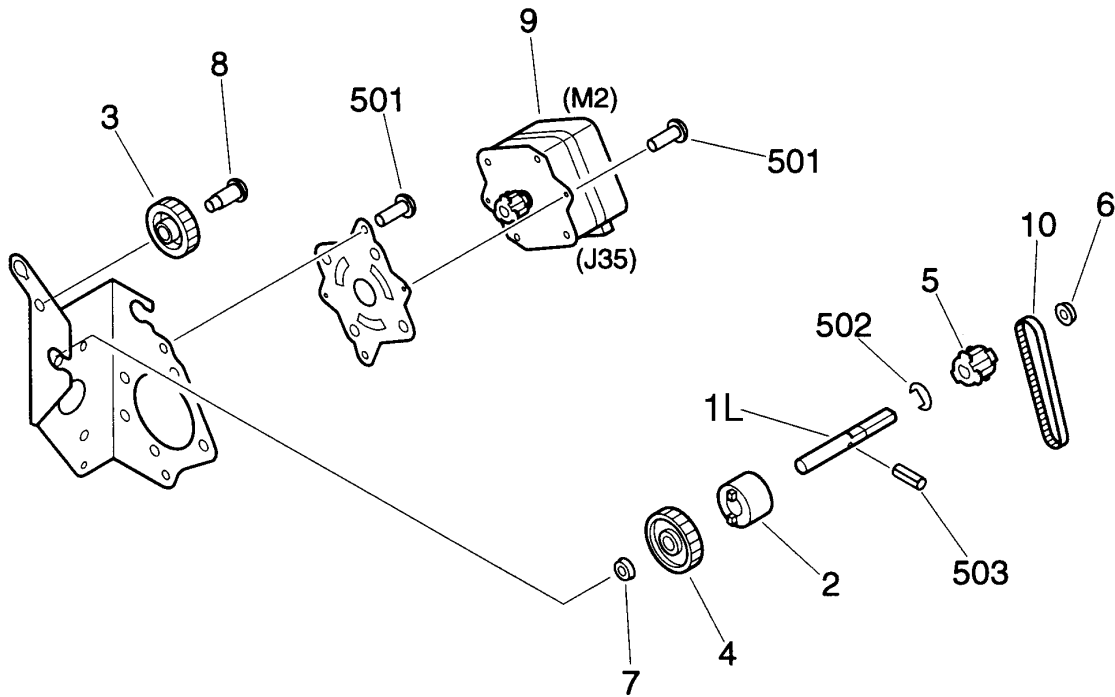
Z-2185 Bin assy



INDEX	SP.	PART NO.	DESCRIPTION	QTY
1			BIN ASSY	1
		9180.604	- BIN ASSEMBLY	1
	1L	9180.606	- BIN	1
	2	9180.607	- BIN, FRONT COVER	1
	3	9180.608	- BIN, REAR COVER	1
	4	● 9180.519	- STEPPED, 24V MOTOR	1
	5	9180.609	- ROD	1
	6	● 9180.520	- PHOTO TRANSISTER PCB ASSEMBLY	1
	7	● 9180.521	- LED PCB ASSY	1
	8	9180.610	- SENSOR CABLE	1
	9	9180.611	- 132T GEAR	1
	10	9180.612	- TORSION SPRING	1
	11	● 9166.360	- GEAR 18T	1
	12	● 9180.516	- PHOTO-INTERRUPTER EE-SX1235-P2	1
	13	9180.613	- CABLE BIN	1
	14	9180.614	- BIN, LOWER COVER	1
	15	9180.615	- BIN, UPPER COVER	1
	16	9180.616	- COVER	1
	17	9180.617	- SECTOR ARM	1
	18	9180.618	- BIN COVER	1
	19	9180.619	- CABLE, 2 HOLDER	1
	20	9180.620	- ADJUSTING ROLLER	2
	21	9180.621	- UPPER SENSOR COVER	1
	22	9180.622	- INSULATING (2) SHEET	1
	23	9174.948	- SCREW M4X10	12
	24	9162.042	- SCREW P M3X8	2
	501	● 9155.843	- MACH.TRUSS HEAD SCREW M3X6	2
	502	9156.277	- SCREW TRUSS HEAD M4X6	2
	503	9171.081	- TP SCREW M3X6	1

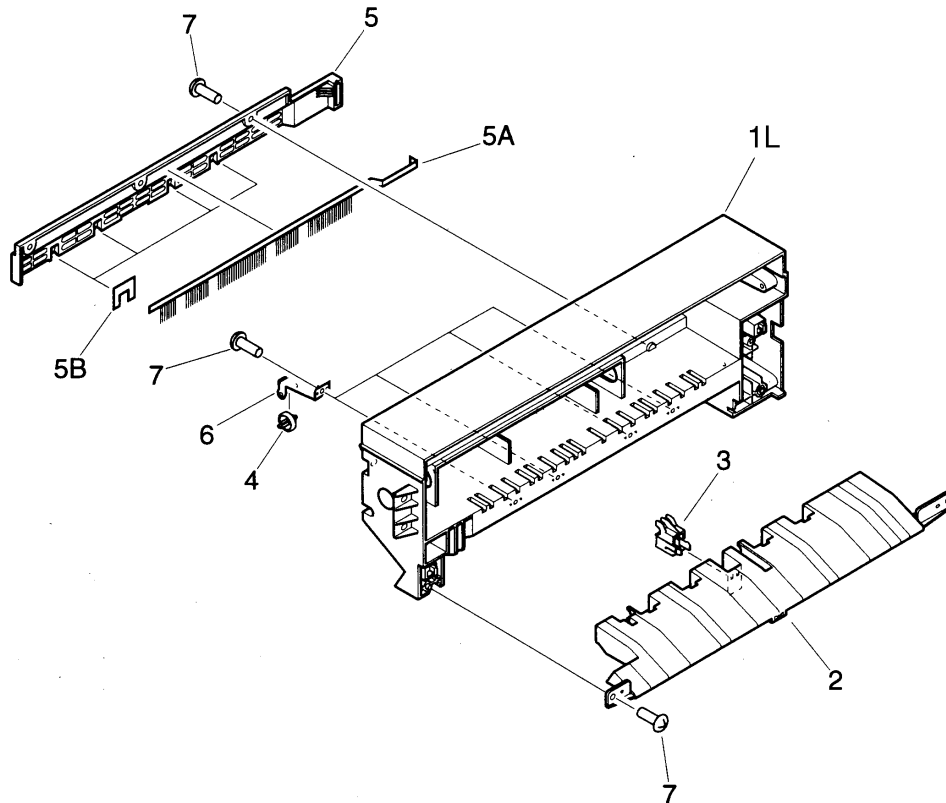
Z-2187 Drive assy

INDEX	SP.	PART NO.	DESCRIPTION	QTY
1		● 9180.522	DRIVE ASSY	1
			- DRIVE ASSY	1
	1L	9180.623	- DC22V MOTOR	1
	2	9180.530	- 30T/PULLEY, 22T GEAR	1
	3	9180.518	- 15T/PULLEY, 39T GEAR	1
	4	9180.625	- 37T/15T GEAR	2
	5	9180.626	- 37T GEAR	1
	6	9180.627	- 53T BELT	1
	7	9180.628	- 90T BELT	1
	501	9155.832	- MACH.TRUSS.HEAD SCREW M3X4	2
	502	● 9155.834	- E RING	3

Z-2189 Feeder drive assy

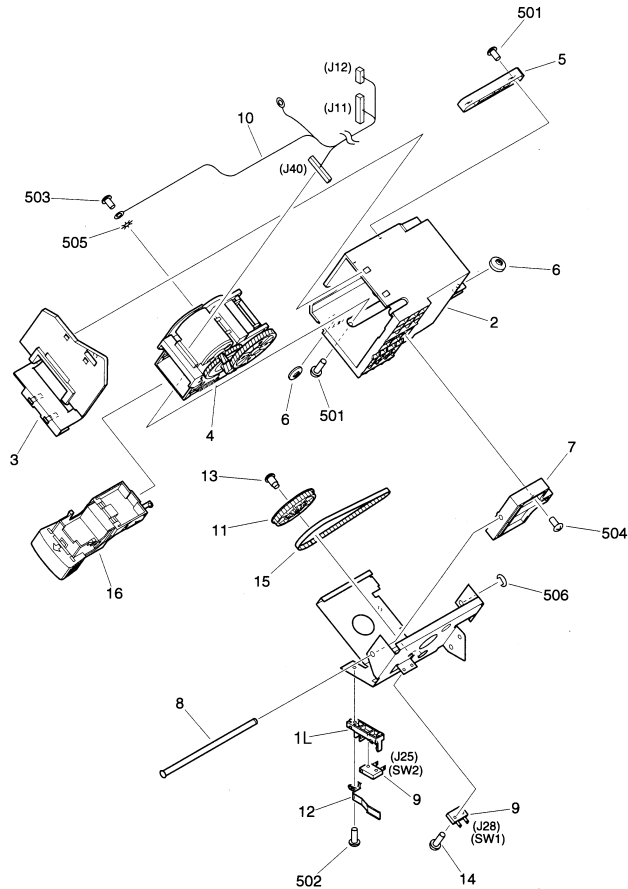
INDEX	SP.	PART NO.	DESCRIPTION	QTY
			FEEDER DRIVE ASSY	1
1		● 9180.523	- FEEDER DRIVE ASSY	1
	1L	9180.629	- LIMITER SHAFT	1
	2	9180.630	- TORQUE LIMITER	1
	3	9180.631	- 36T GEAR	1
	4	9180.632	- 40T GEAR	1
	5	9180.633	- 19T PULLEY	1
	6	9180.531	- BUSHING	1
	7	9180.532	- BUSHING	1
	8	9180.533	- STEPPED, M4 SCREW	1
	9	9180.634	- STEPPED, 24V MOTOR	1
	10	9180.655	- 61T BELT	1
	501	9155.832	- MACH.TRUSS.HEAD SCREW M3X4	4
	502	9156.215	- RING-E	1
	503	9171.604	- SPRING PIN	1

Z-2191 Feeder guide assy



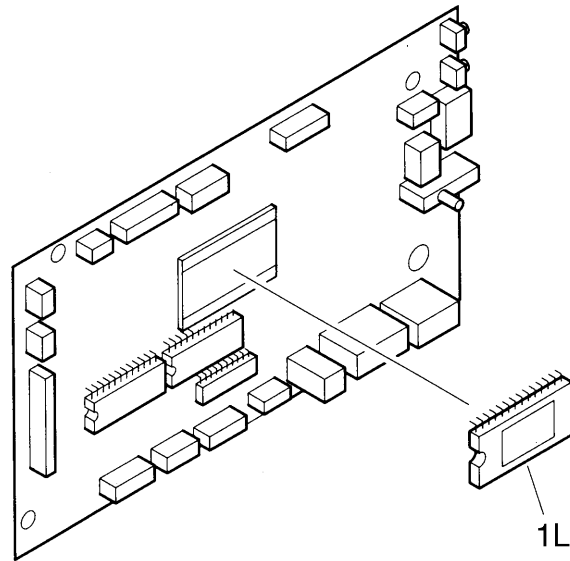
INDEX	SP.	PART NO.	DESCRIPTION	QTY
1		● 9180.524	FEEDER GUIDE ASSY	1
		● 9180.524	- FEEDER GUIDE ASSY	1
	1L	9180.636	- UPPER GUIDE	1
	2	9180.637	- LOWER GUIDE	1
	3	9180.638	- RIB	1
	4	9180.639	- DELIVERY ROLLER	4
	5	9180.640	- BRUSH COVER	1
	5A	● 9180.525	- STATIC CHARGE ELIMINATOR BRUSH	1
	5B	9180.641	- STATIC CHARGE ELIMINATOR MYLAR	4
	6	9180.642	- LEAF SPRING	4
7	9174.948	- SCREW M4X10	9	

Z-2193 Stapler assy



INDEX	SP.	PART NO.	DESCRIPTION	QTY
1			STAPLER ASSY	1
		● 9180.526	- STAPLER ASSY	1
	1L		9180.643 - SWITCH HOLDER	1
	2		9180.644 - STAPLER COVER	1
	3		9180.645 - STAPLER, REAR COVER	1
	4		9180.646 - STAPLER	1
	5		9180.647 - UPPER GUIDE	1
	6		9180.648 - GUIDE ROLLER	2
	7		9180.649 - SLIDING PLATE	1
	8		9180.650 - ROD	1
	9	●	9180.517 - SWITCH	1
	10		9180.651 - STAPLER CABLE	1
	11		9180.652 - 83T PULLEY	1
	12		9180.653 - LEAF SPRING	1
	13		9180.533 - STEPPED, M4 SCREW	1
	14		9180.534 - MTH M2.3X10 SCREW	1
	15		9180.654 - 141T BELT	1
	16		9180.655 - 61T BELT	1
	501	●	9155.843 - MACH.TRUSS HEAD SCREW M3X6	5
	502		9173.556 - SCREW MTH M3X8	1
	503		9156.277 - SCREW TRUSS HEAD M4X6	1
504		9156.209 - SCREW M4X35	2	
505		9157.628 - WASHER TOOTHED LOCK	1	
506		9156.215 - RING-E	1	

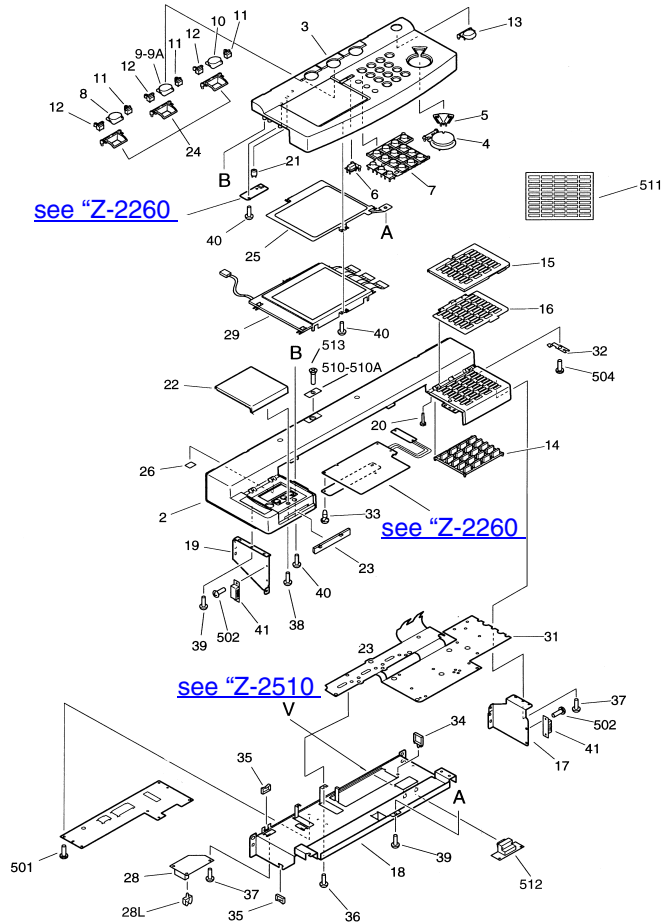
Z-2195 Sorter controller PCB assembly



INDEX	SP.	PART NO.	DESCRIPTION	QTY
1	1L	● 9180.528	SORTER CONTROLLER PCB ASSEMBLY	1
		9180.657	- SORTER CONTROLLER PCB ASSEMBLY	1
			- EP-ROM IC	1

22. Power and control

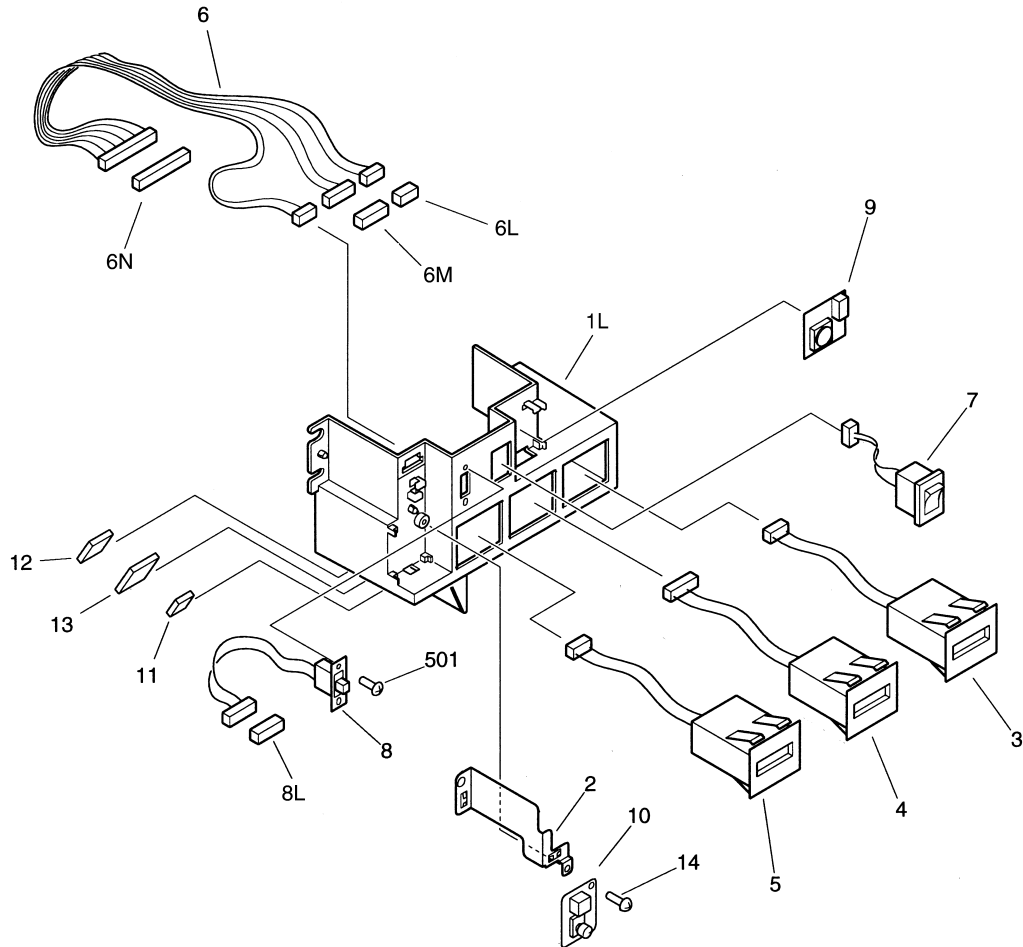
Z-2200 Control panel assy



INDEX	SP.	PART NO.	DESCRIPTION	QTY
			CONTROL PANEL ASSY	1
1	●	9165.074	- CONTROL PANEL ASSY	1
2		9165.838	-- CASE CONTROL	1
3	●	9165.024	-- CONTROLPANEL	1
4		9166.802	-- KEY TOPSTART	1
5	●	9166.803	-- KEY TOP STOP	1
6		9165.839	-- KEY TOP RESET	1
7		9165.840	-- KEY TOP NUMBER	1
8		9165.841	-- KEY TOP FUNCTION 1	1
9		9165.863	-- KEY TOP FUNCTION 2, UP TO 3121.03000	1
9A		9166.915	-- KEY TOP FUNCTION 2, FROM 3121.03000 AND FOR 3122	1
10		9165.842	-- KEY TOP FUNCTION 3	1
11		9165.843	-- COVER LEDPANEL RIGHT	3
12		9165.844	-- COVER LEDPANEL LEFT	3
13		9165.845	-- KEY TOP POWER SUPPLY	1
14		9165.846	-- KEY TOP ONE-TOUCH	1
15		9165.847	-- COVER 1	1
16		9165.848	-- COVER 2	1
17		9165.849	-- MOUNT RIGHT	1
18		9165.850	-- MOUNT CENTER	1
19		9165.851	-- MOUNT LEFT	1
20	●	9165.119	-- ACTUATOR	2
21		9165.853	-- CAP PILOT LAMP	1
22		9165.854	-- COVER CC-5	1
23		9165.855	-- PLATE CARD BLANKING	1
24		9165.856	-- BLOCK REFLECTOR	3
25	●	9165.029	-- GROUNDING PLATE	1
26		9165.852	-- BLANKING SHEET	2
28	●	9165.062	-- CONT.PANEL INVERTER PBA	1
28L		9155.041	-- CABLE CLAMP	1
29	●	9166.811	-- LCD UNIT	1
31	●	9165.078	-- MEMBRANE SWITCH PBA UNIT	1
32	●	9165.201	-- LEAF SPRING	2
33		9165.860	-- SPACER	3

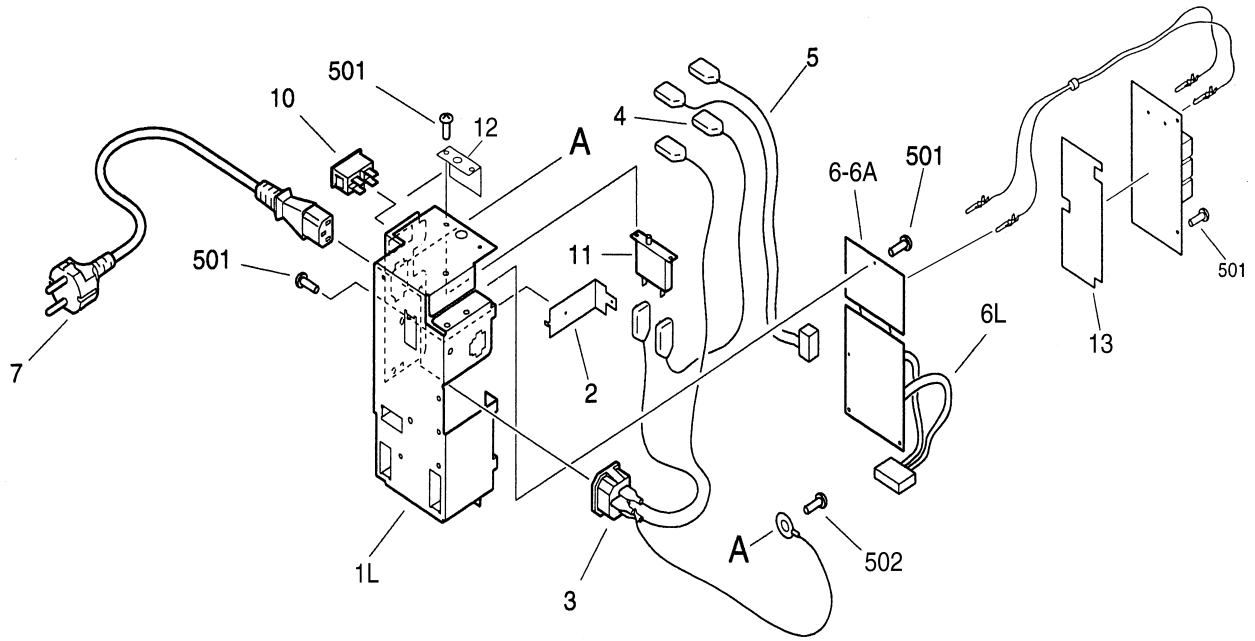
INDEX	SP.	PART NO.	DESCRIPTION	QTY
34	●	9156.205	-- CLAMP CABLE	1
35		9165.861	-- CABLE CLIP	2
36		9156.651	-- SCREW M3X8	6
37	●	9156.651	-- SCREW M3X8	2
38	●	9156.651	-- SCREW M3X8	1
39		9162.041	-- SCREW P M3X6	13
40		9162.041	-- SCREW P M3X6	18
41		9165.862	-- MAGNET CATCH	2
501		9156.123	-- SCREW TRUSS HEAD M3X4	8
502	●	9155.843	-- MACH.TRUSS HEAD SCREW	2
504		9166.934	-- SCREW TTH M2X4	2
510		9156.063	- PLATE COVER, UP TO 3121.03000	1
510A		9166.916	- PLATE COVER, FROM 3121.03000 AND FOR 3122	1
511		9165.857	- LABEL ONE-TOUCH KEY	2
512		9165.859	- RS232C END PBA ASSY	1
513		9156.124	- SCREW CS HEAD M4X8	1

Z-2210 Counter assy



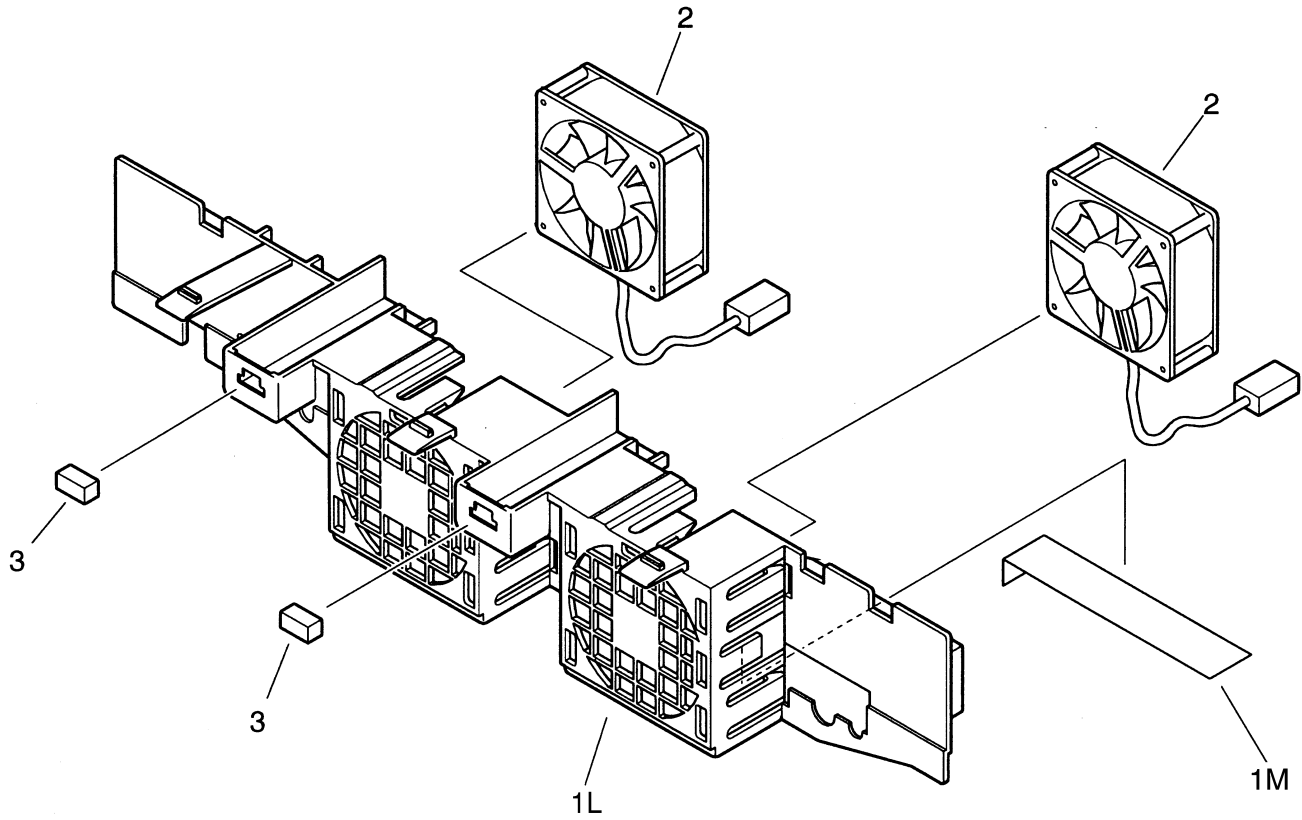
INDEX	SP.	PART NO.	DESCRIPTION	QTY
1			COUNTER ASSY	1
		● 9165.073	- COUNTER ASSY	1
	1L	9165.807	-- COUNTER MOUNT	1
	2	9165.808	-- LEAF SPRING	1
	3	● 9165.052	-- COUNTER 1 CNT1	1
	4	● 9165.053	-- COUNTER 2 CNT2	1
	5	● 9165.054	-- COUNTER 3 CNT3	1
	6	9165.812	-- COUNTER CABLE	1
	6L	9156.203	-- CONNECTOR SNAP TIGHT	1
	6M	9156.204	-- CONNECTOR SNAP TIGHT	1
	6N	9156.208	-- CONNECTOR SNAP TIGHT	1
	7	9165.813	-- CABLE OPTION SWITCH SW4	1
	8	9165.814	-- CABLE DEHUMIDIFIER SWITCH SW3	1
	8L	9156.204	-- CONNECTOR SNAP TIGHT	1
	9	● 9165.061	-- SERVICE SWITCH PBA ASSY	1
	10	● 9165.076	-- C PANEL VOLUME PBA ASSY	1
	14	● 9156.651	-- SCREW M3X8	1
	501	9157.662	-- SCREW TRUSS HEAD M2X4	2
11	9156.207	- CONNECTOR SNAP TIGHT	1	
12	9156.208	- CONNECTOR SNAP TIGHT	1	
13	9157.141	- CONNECTOR SNAP TIGHT	1	

Z-2220 Power cord terminal assy



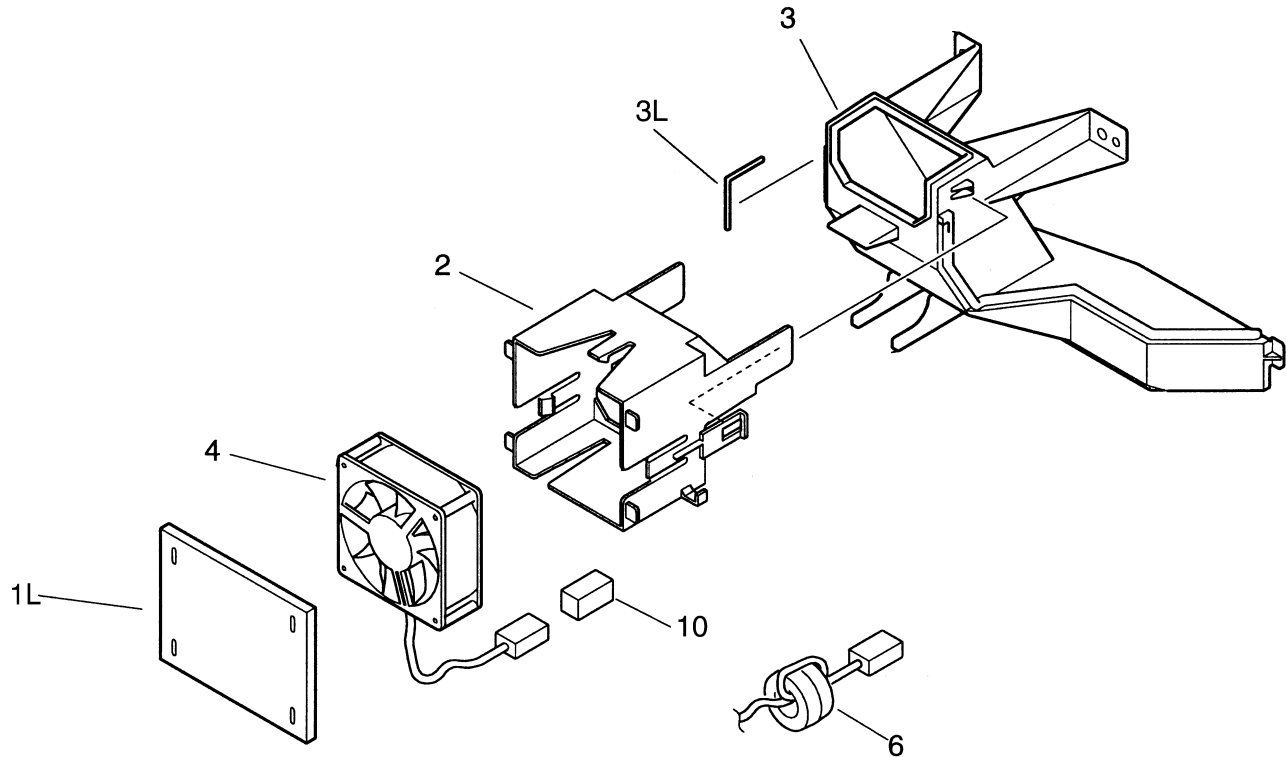
INDEX	SP.	PART NO.	DESCRIPTION	QTY
			POWER CORD TERMINAL ASSY	1
1A	●	9165.071	- POWERCORD TERMINAL ASSY	1
		9166.812	- POWERCORD TERMINAL ASSY, AUSTRALIA	1
1L		9165.815	-- MOUNT POWER CORD	1
2		9165.816	-- SUPPORT FILTER PBA	1
3		9165.817	-- AC INLET CORD	1
4		9165.818	-- CIRCUIT BREAKER CABLE	1
5		9165.819	-- FILTER CABLE 4	1
6	●	9165.820	-- NOISE FILTER PBA ASSY	1
6A		9166.813	-- NOISE FILTER PBA ASSY, AUSTRALIA	1
6L		9165.821	-- FILTER CABLE 3	1
10	●	9165.089	-- MAIN SWITCH SW1	1
11	●	9165.101	-- CIRCUIT BREAKER CB1	1
12		9166.986	-- SHEET, SEPARATION	1
13	●	9166.987	-- SHEET, FILTER	1
15		9166.814	-- VARISTOR, AUSTRALIA	1
501		9156.532	-- TH MACH SCREW M3X6	10
502		9165.481	-- SCREW W/WASHER M4X6	1
7		9155.994	- POWER CORD 220V	1

Z-2230 Exhaust fan assy



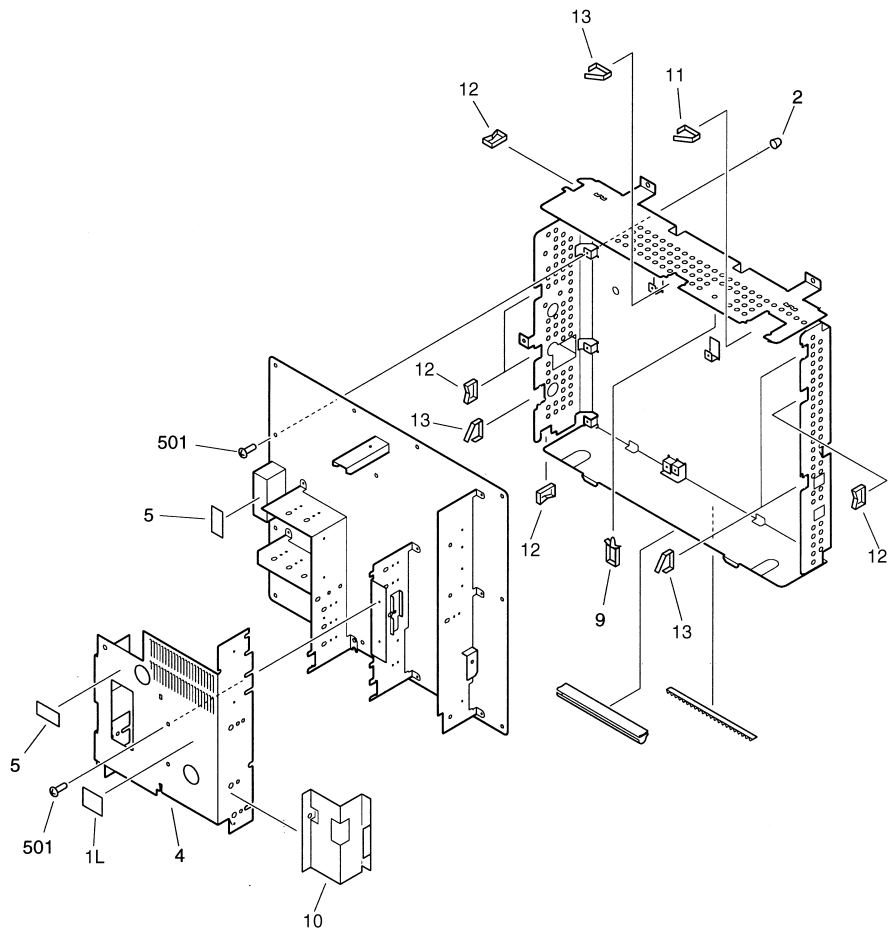
INDEX	SP.	PART NO.	DESCRIPTION	QTY
1	1L	● 9165.823	EXHAUST FAN ASSY	1
		● 9165.824	- EXHAUST FAN ASSY	1
	1M	9165.824	-- EXHAUST FAN MOUNT	1
		9165.827	-- DUCT SHEET 3	1
	2	● 9166.839	-- COOLING FAN FM2	2
	3	9156.203	-- CONNECTOR SNAP TIGHT	2

Z-2240 Laser cooling fan assy



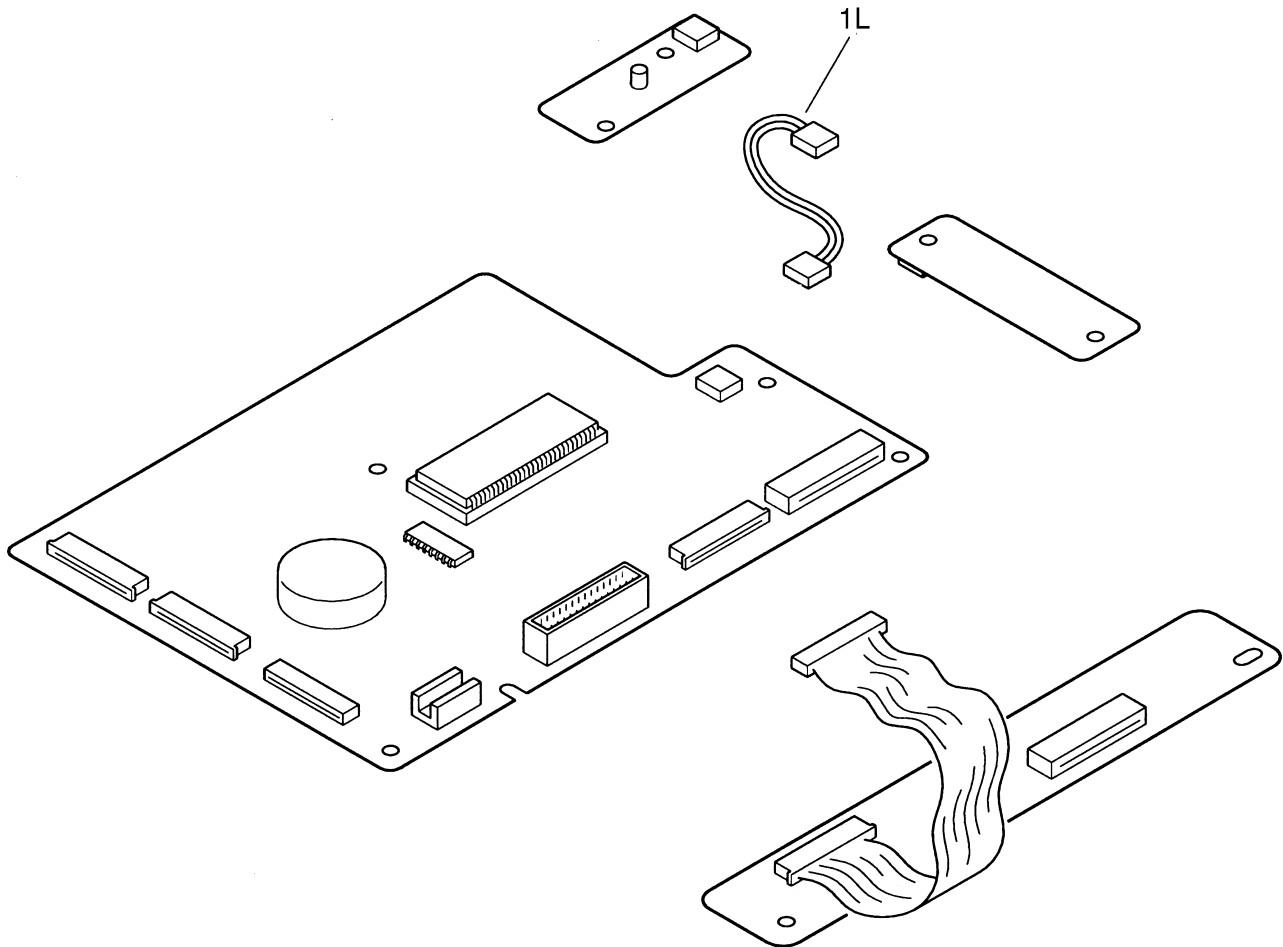
INDEX	SP.	PART NO.	DESCRIPTION	QTY
1		● 9165.828	LASER COOLINGFAN ASSY	1
		● 9165.828	- LASER COOLING FAN ASSY	1
	1L	● 9165.228	-- AIR FILTER	1
	2	9165.829	-- MOUNT COOLING FAN	1
	3	9165.830	-- DUCT 1 COOLING FAN	1
	3L	9165.831	-- SEAL 1 DUCT	2
	4	● 9165.084	-- COOLING FAN FM4	1
	6	9165.302	-- CORE	1
	10	9156.203	- CONNECTOR SNAP TIGHT	1

Z-2250 DC Power supply PBA



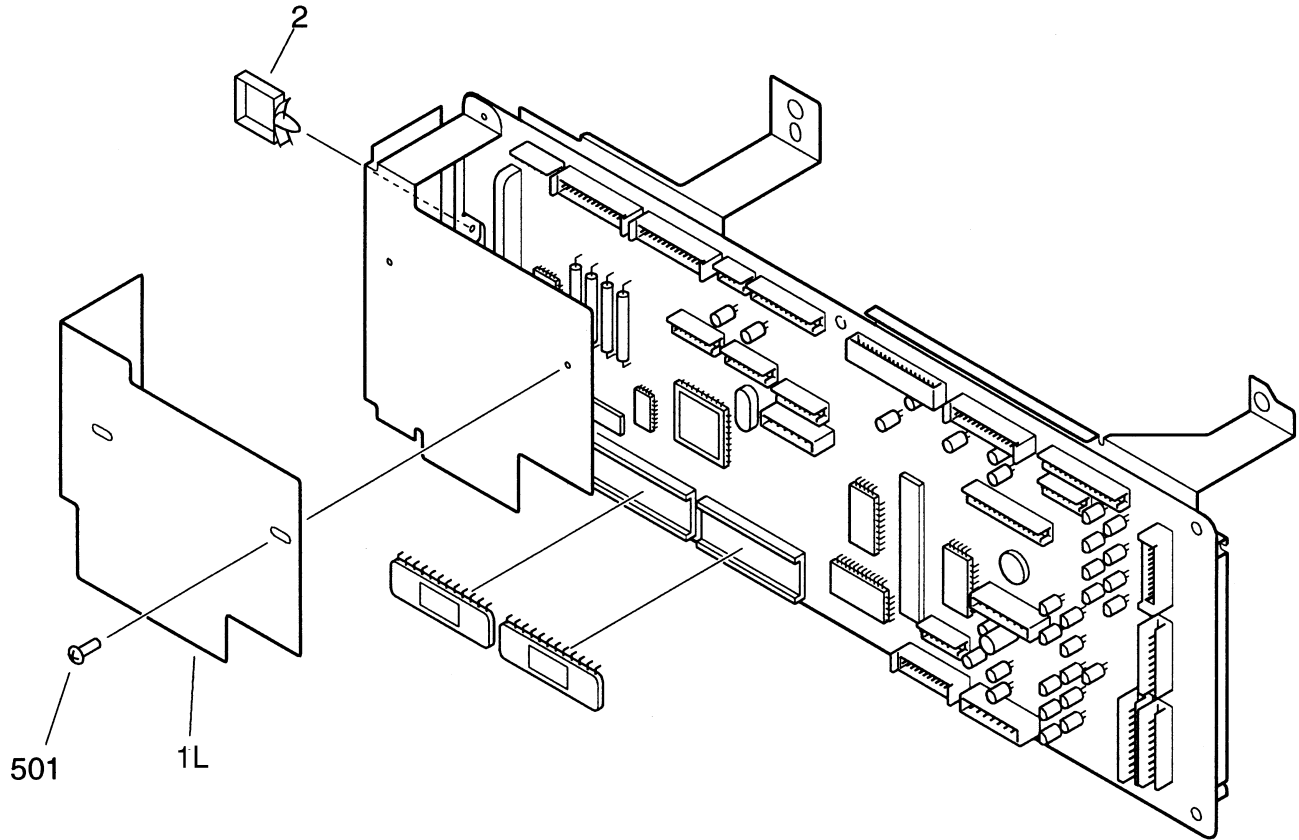
INDEX	SP.	PART NO.	DESCRIPTION	QTY
1			DC POWER SUPPLY PBA	1
		● 9165.832	- DC POWER SUPPLY PBA ASSY (FOR 3121)	1
	1L	9165.833	-- LABEL "VOLTAGE"	1
	2	9165.250	-- CUP	9
	4	9165.835	-- HEATSINK PLATE	1
	5	9165.836	-- LABEL "HIGH VOLTAGE"	2
	9	9165.275	-- CABLE CLAMP	1
	501	9165.532	-- SCREW TRUSS HEAD M3X6	11
	10	9165.834	- PARTITION SHEET	1
	11	● 9155.244	- CABLE CLIP	1
	12	● 9156.201	- CLIP CABLE	1
	13	● 9155.363	- WIRE CLIP	4
	25	● 9166.972	- DC POWER SUPPLY PBA ASSY (FOR 3122)	1
26	9165.836	-- LABEL "CAUTION, HIGH VOLTAGE"	1	

Z-2260 Control panel CPU PBA



INDEX		SP.	PART NO.	DESCRIPTION	QTY
1		●	9165.865	CONTROL PANEL CPU PBA	1
			9165.865	- CONTROL PANEL CPU PBA	1
	1L		9165.866	-- CABLE ONE-TOUCH	1

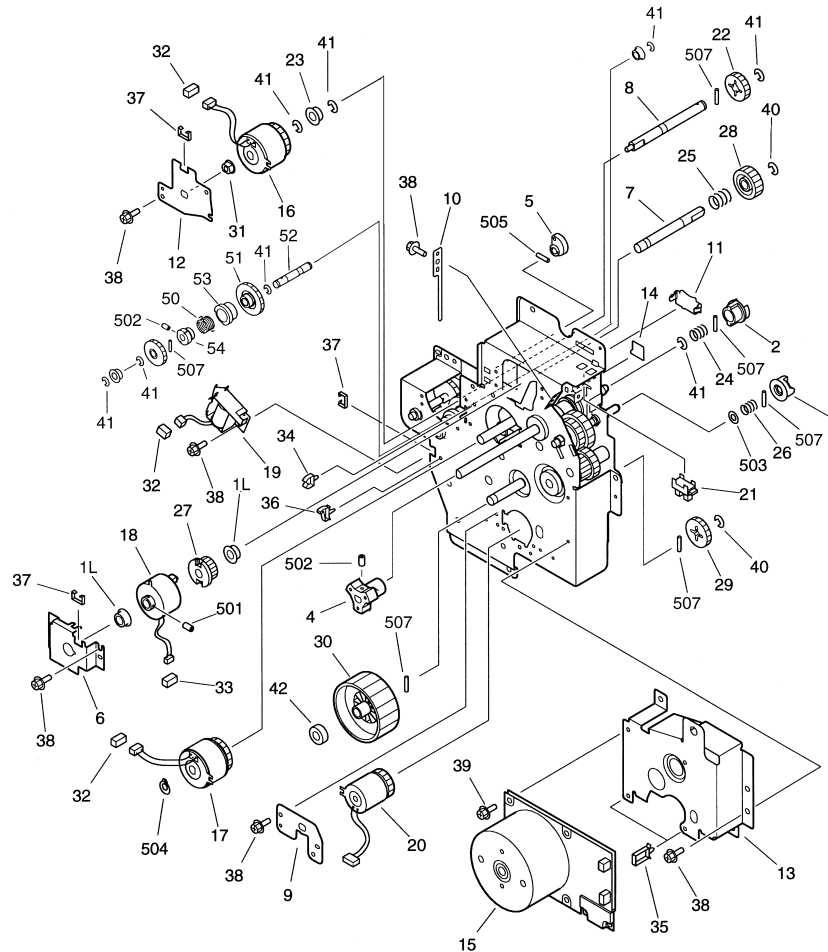
Z-2270 DC Controller PBA



INDEX	SP.	PART NO.	DESCRIPTION	QTY
1		● 9165.175	DC CONTROLLER PBA ASSY - DC CONTROLLER PBA ASSY (FOR 3121)	1
		1L	9165.864	-- HEATSINK PLATE
	2	9165.275	-- CABLE CLAMP	1
103		● 9165.160	-- IC EP-ROM	1
104		● 9165.161	-- IC EP-ROM	1
	501	9156.532	-- SCREW TRUSS HEAD M3X6	4
200		● 9166.973	- DC CONTROLLER PBA ASSY (FOR 3122)	1
203		● 9166.974	-- IC EP-ROM	1
204		● 9166.975	-- IC EP-ROM	1

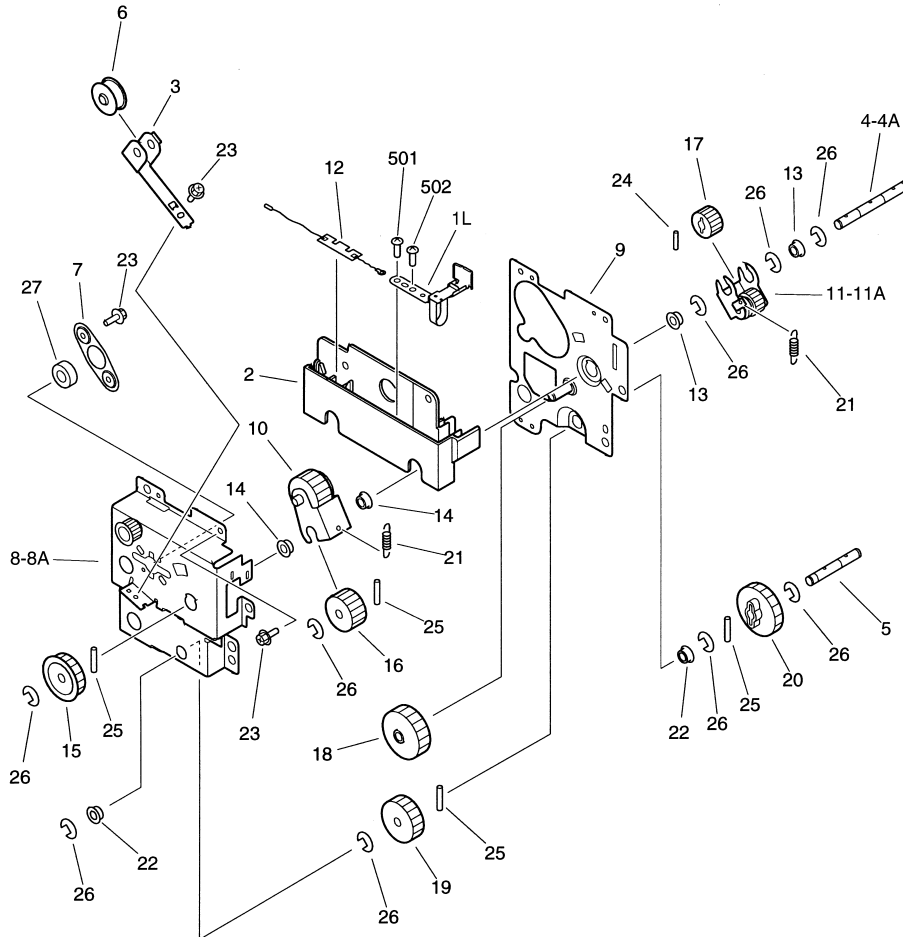
23. Drive

Z-2300 Main drive assy



INDEX	SP.	PART NO.	DESCRIPTION	QTY	INDEX	SP.	PART NO.	DESCRIPTION	QTY
1			MAIN DRIVE ASSY	1					
	●	9165.867	- MAIN DRIVE ASSY	1	35	●	9156.205	-- CLAMP CABLE	2
1L	●	9155.550	-- BUSHING	2	36	●	9155.420	-- CORD CLAMP	1
2	●	9165.106	-- COUPLING	1	37		9165.277	-- CABLE CLIP	3
3	●	9165.107	-- COUPLING	1	38		9156.690	-- SCREW M3X6	15
4		9165.868	-- MOUNT FLYWHEEL	1	39		9158.404	-- SCREW RS M4X10	4
5	●	9156.906	-- CAM PLATE	1	40		9165.421	-- E-RING	6
6		9165.869	-- DRUM CLUTCH PLATE	1	41		9165.361	-- E-RING	18
7		9165.870	-- DEVELOPING DRIVE SHAFT	1	42	●	9156.741	-- BEARING BALL	2
8		9165.871	-- CLUTCH SHAFT	1	50		9173.588	-- SPRING, CLUTCH	1
9		9165.872	-- CLUTCH PLATE	1	51		9173.580	-- GEAR, 36T	1
10		9165.873	-- GROUNDING PLATE	1	52		9166.988	-- SHAFT, ONE-WAY	1
11		9165.874	-- SLEEVE SUPPORT	1	53		9173.567	-- RING, RATCHET CONTROL	1
12		9165.875	-- CLUTCH PLATE	4	54	●	9173.566	-- DRUM, CLUTCH DRIVE 1	1
13		9165.876	-- MOTOR MOUNT	1	501		9156.949	-- SET SCREW M3X6	2
14		9165.877	-- INSULATION SHEET	1	502		9165.884	-- SETSCREW M4X6	3
15	●	9165.079	-- MOTOR DC24V M1	1	503		9165.885	-- SHIM	1
16	●	9165.180	-- ELECTROMAGNETIC CLUTCH CL2	1	505		9157.055	-- PIN SPRING	1
18	●	9165.183	-- ELECTROMAGNETIC CLUTCH CL4	1	507		9156.787	-- PIN DOWEL	11
19	●	9165.187	-- SOLENOID	1	17	●	9165.181	- ELECTROMAGNETIC CLUTCH CL1	1
20	●	9165.188	-- ELECTROMAGNETIC CLUTCH CL5	1	32		9156.203	- CONNECTOR SNAP TIGHT	3
21	●	9156.175	-- IC PHOTO-MICROSENSOR PS10	1	33		9156.204	- CONNECTOR SNAP TIGHT	1
22	●	9156.753	-- GEAR 22T	1	60	●	9180.674	- TIMING BELT S3M-648	1
23	●	9136.568	-- BUSHING	1	504		9156.885	- RING GRIP	1
24		9165.878	-- COMPRESSION SPRING	1					
25		9165.879	-- COMPRESSION SPRING	1					
26		9165.880	-- COMPRESSION SPRING	1					
27	●	9165.094	-- DEVICE CLUTCH PULLEY 32T	1					
28		9165.881	-- GEAR 27T	1					
29		9165.882	-- GEAR 24T	1					
30	●	9165.099	-- GEAR 86T	1					
31		9165.883	-- BUSHING	2					
34	●	9156.262	-- CLIP CABLE	4					

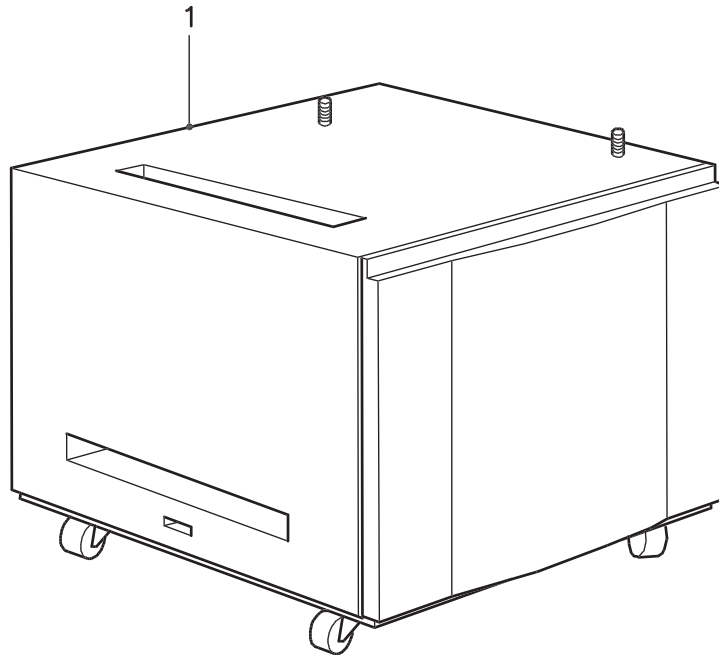
Z-2305 Fixing drive assy



INDEX	SP.	PART NO.	DESCRIPTION	QTY
			FIXING DRIVE ASSY	1
1	●	9165.886	- FIXING DRIVE ASSY, UP TO 3121.03000	1
1A	●	9166.917	- FIXING DRIVE ASSY, FROM 3121.03000 AND FOR 3122	1
1L	●	9165.021	-- BIAS CONNECTING PLATE	1
2		9165.887	-- COVER BIAS CONNECTING	1
3	●	9165.030	-- LEAF SPRING	1
4		9165.888	-- FIXING DRIVE SHAFT 1, UP TO 3121.03000	1
4A		9166.918	-- FIXING DRIVE SHAFT 1, FROM 3121.03000 AND FOR 3122	1
5		9165.889	-- FIXING DRIVE SHAFT 2	1
6	●	9165.031	-- TENSION PLATE	1
7		9165.890	-- PLATE BEARING SUPPORT	1
8		9165.891	-- UPPER PLATE DRIVE, UP TO 3121.03000	1
8A		9166.919	-- UPPER PLATE DRIVE, FROM 3121.03000 AND FOR 3122	1
9		9165.892	-- LOWER PLATE DRIVE	1
10		9165.893	-- SWING PLATE 1	2
11		9165.894	-- SWING PLATE 2, UP TO 3121.03000	1
11A		9166.920	-- SWING PLATE 2, FROM 3121.03000 AND FOR 3122	1
12	●	9165.075	-- FIXING BIAS CONNECT PBA	1
13	●	9136.567	-- BUSHING	2
14		9165.896	-- BUSHING	2
15	●	9165.091	-- PULLEY 30T	1
16	●	9180.667	-- GEAR 30T	1
17		9165.898	-- GEAR 20T	1
18		9165.899	-- GEAR 28T	1
19		9165.900	-- GEAR 24T	1
20	●	9165.095	-- GEAR 32T	1
21		9165.901	-- TENSION SPING	2
22	●	9165.767	-- BUSHING	2
23		9156.690	-- SCREW M3X6	5
24	●	9156.632	-- PIN DOWEL	1

INDEX	SP.	PART NO.	DESCRIPTION	QTY
	25	● 9156.722	-- PIN DOWEL	4
	26	9165.421	-- E- RING	9
	27	9165.741	-- BEARING BALL	1
	501	9155.832	-- MACH.TRUSS.HEAD SCREW M3X5	1
	502	9165.725	-- SCREW W WASHER M3X6	1

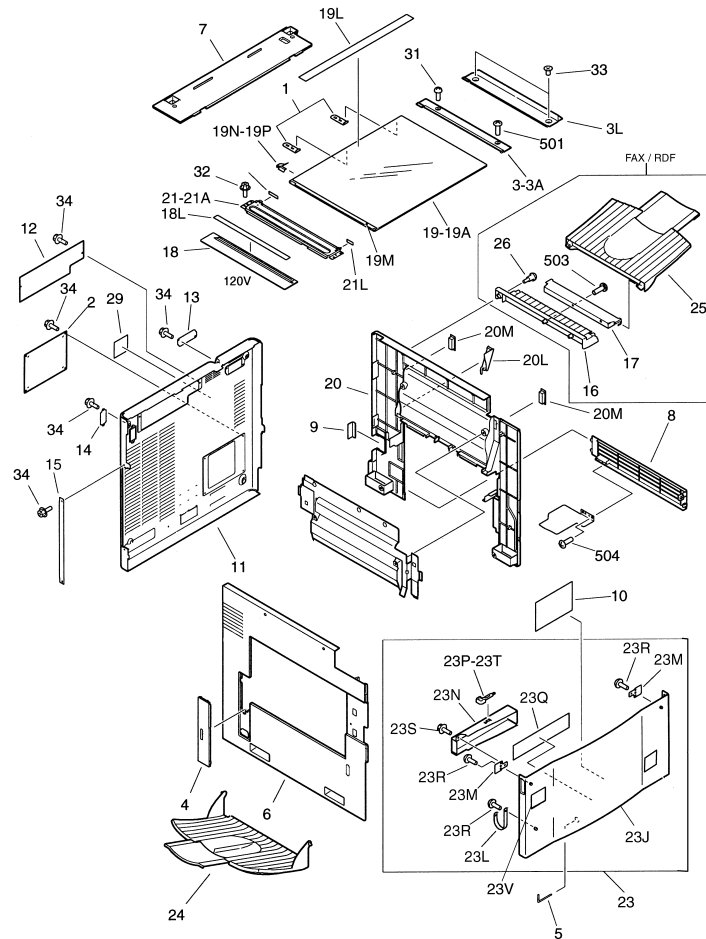
24. Accessories

Z-2450 Console Océ 3121-3122

INDEX	SP.	PART NO.	DESCRIPTION	QTY
	1		CONSOLE Océ 3121-3122	1
			- CONSOLE Océ 3121-3122	1

25. Customer / environment / material / installation

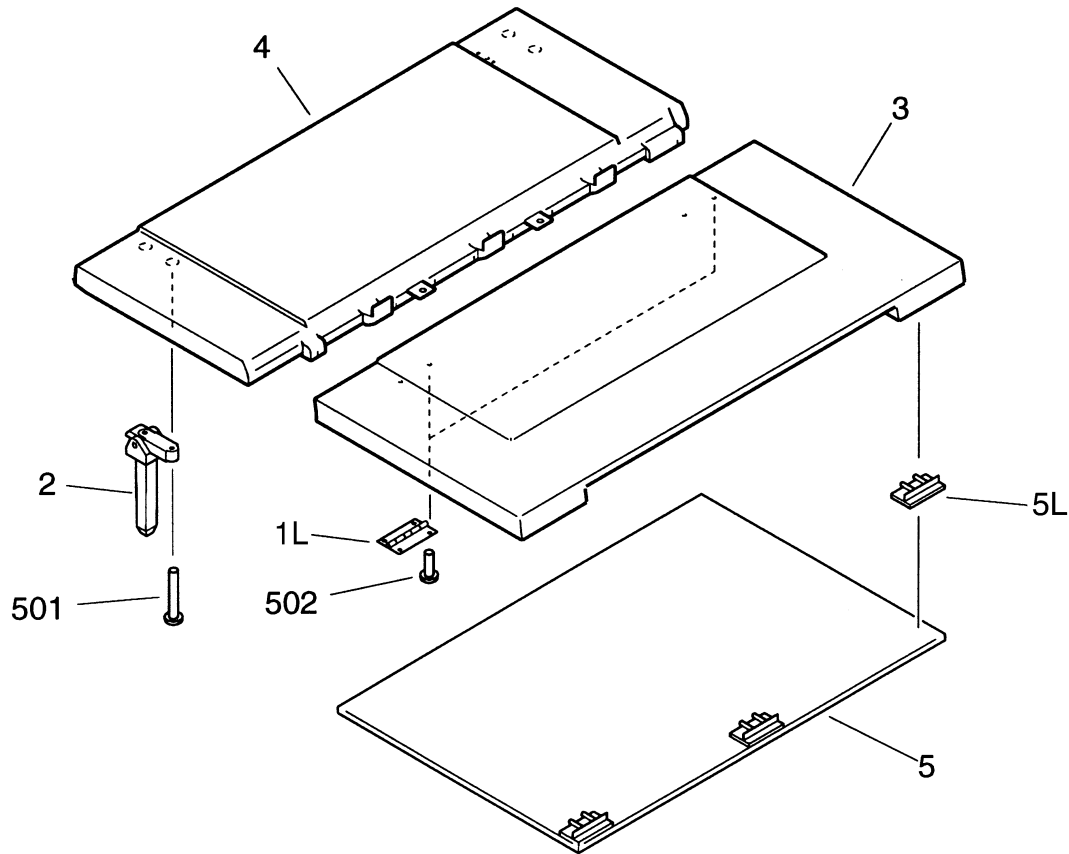
Z-2500 External covers / panels



INDEX	SP.	PART NO.	DESCRIPTION	QTY	INDEX	SP.	PART NO.	DESCRIPTION	QTY
			EXTERNAL COVERS/PANELS	1					
1		9165.902	- GLASS HOLDER	2	21		9165.927	- LEFT UPPER CROSSMEMBER, UP TO 3121.03000	1
2		9165.903	- ASSIST COVER	1	21A		9166.926	- LEFT UPPER CROSSMEMBER, FROM 3121.03000 AND FOR 3122	1
3	●	9165.010	- GLASS RETAINER RIGHT, UP TO 3121.03000	1	21L		9166.928	- GLASS PROTECTIVE SHEET 1	1
3A	●	9166.922	- GLASS RETAINER RIGHT, FROM 3121.03000 AND FOR 3122	1	21M		9165.929	- GLASS PROTECTIVE SHEET 2	1
3L	●	9165.904	- GLASS RETAINER RIGHT/RDF	1	23	●	9165.930	- FRONT COVER UNIT (FOR 3121)	1
4	●	9165.905	- LEFT COVER	1			9166.959	- FRONT COVER UNIT (FOR 3122)	1
5	●	9165.116	- HINGE PIN	2	23J		9166.960	- PANEL, FRONT (FOR 3121)	1
6	●	9165.906	- LEFT COVER	1			9165.961	- PANEL, FRONT (FOR 3122)	1
7	●	9165.907	- UPPER COVER REAR	1	23L		9166.928	- - DOOR SUPPORT STRAP 1	1
8	●	9165.908	- LOWER COVER RIGHT	1	23M		9165.934	- - CATCH PLATE	2
9	●	9165.909	- POWER CORD COVER	1	23N		9165.935	- - CASE COVER (FOR 3121)	1
10	●	9165.910	- LABEL SERVICE (FOR 3121)	1			9166.962	- - CASE COVER (FOR 3122)	1
	●	9166.958	- LABEL SERVICE (FOR 3122)	1	23P		9165.936	- - CLEANING BRUSH	1
11	●	9165.911	- REAR COVER	1	23Q		9165.939	- - LABEL "TONER SUPPLY" (FOR 3121)	1
12		9165.912	- BLANKING PLATE SYS	1			9166.963	- - LABEL "TONER SUPPLY" (FOR 3122)	1
13		9165.913	- BLANKING PLATE SC	1	23R		9165.806	- - SCREW M4X8	3
14		9165.914	- BLANKING PLATE F	1	23S	●	9156.091	- - SCREW RS M4X8 (FOR 3121)	1
15		9165.915	- BLANKING PLATE P,	1			9166.889	- - SCREW RS M4X8 (FOR 3122)	1
16		9165.916	- TRAY MOUNT/RDF	1	23T		9166.927	- - CLEANING BRUSH, FROM 3121.03000 AND FOR 3122	1
17		9165.917	- TRAY PLATE/RDF	1	23V		4812.482	- NAME PLATE Océ 3121	1
18	●	9165.918	- LEFT UPPER COVER	1			7013.831	- NAME PLATE Océ 3122	1
18L	●	9165.919	- VERTICAL SIZE PLATE	1	24		9165.942	- PAPER DELIVERY TRAY UNIT	1
19	●	9165.059	- COPYBOARD GLASS, UP TO 3121.03000	1	25		9165.943	- PAPER DELIVERY TRAY UNIT RDF	1
19A	●	9166.924	- COPYBOARD GLASS, FROM 3121.03000	1	26	●	9165.944	- STEPPED SCREW M4	1
19L		9165.921	- HORIZONTALE SIZE PLATE	1	29		9165.945	- LABEL "LASER CLASS V" (FOR 3121)	1
19M		9165.922	- PLATE GLASS LEFT	1	31		9158.365	- SCREW W/WASHER TRUSS HEAD	1
19N	●	9162.177	- SPRING LEAF, UP TO 3121.03000	1	32		9156.690	- SCREW M3X6	6
19P		9166.925	- GROUNDING PLATE, FROM 3121.03000 AND FOR 3122	1	33		9165.455	- FH MACH SCREW M3X4	2
20		9165.924	- RIGHT COVER	1	34		9165.946	- RS SCREW M4X6	12
20L		9165.925	- COVER MULTIFEED CABLE	1	501		9156.529	- SCREW TRUSS HEAD M4X6	1
20M		9165.926	- LATCH MAGNET	2					

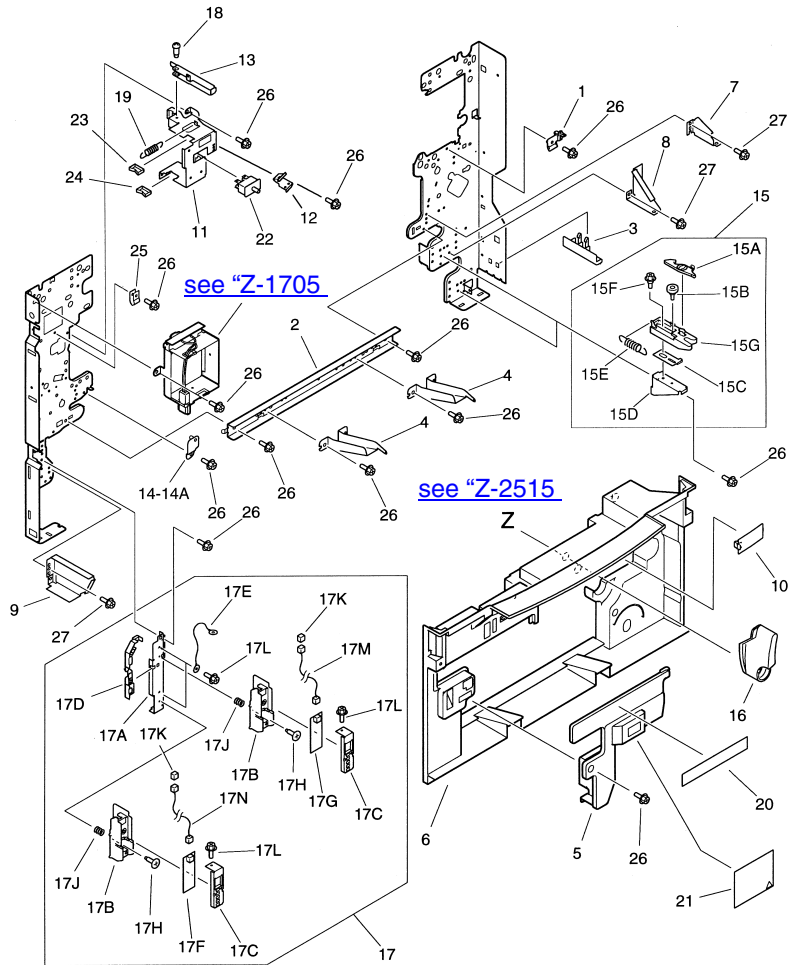
INDEX	SP.	PART NO.	DESCRIPTION	QTY
	503	9156.613	- SCREW TRUSS HEAD M4X25	1
	504	9158.792	- SCREW TP TRUSS HEAD M4X10	2

Z-2503 Copyboard cover assy



INDEX	SP.	PART NO.	DESCRIPTION	QTY
1		● 9165.948	COPYBOARD COVER ASSY	1
	1L	9165.007	- COPYBOARD COVER ASSY	1
	2	9165.007	-- PLATE, HINGE	2
	2	9165.008	-- HINGE COPYBOARD COVER	2
	3	9165.949	-- FRONT COPYBOARD COVER	1
	4	9165.950	-- REAR COPYBOARD COVER	1
	5	9165.051	-- CUSHION ASSY	1
	5L	9165.006	-- PLATE CUSHION MOUNTING	3
	501	9165.951	-- TH MACH SCREW M4X16	4
	502	9156.120	-- SCREW TP TRUSS HEAD M4X8	4

Z-2505 Machine front plate

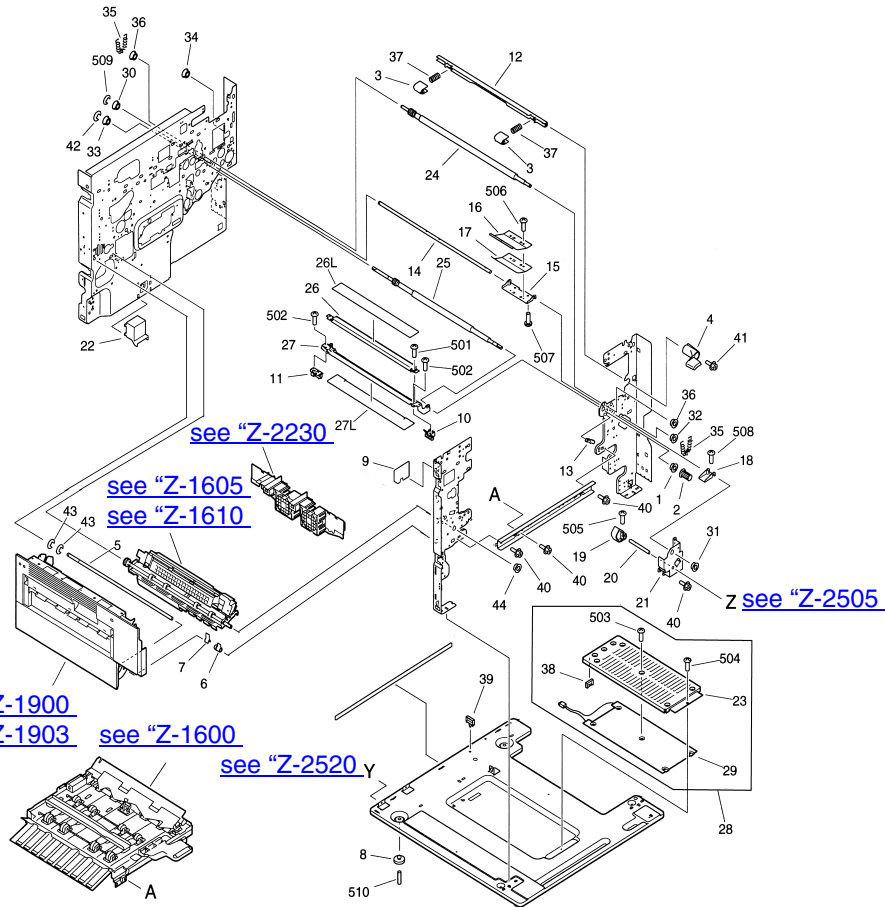


INDEX	SP.	PART NO.	DESCRIPTION	QTY	INDEX	SP.	PART NO.	DESCRIPTION	QTY
			MACHINE FRONT PLATE	1		17F	9165.602	-- CASSETTE SIZE SENSOR PBA LOWER	1
1		9165.115	- STOP DEVELOPING PLATE	1		17G	9165.964	-- CASSETTE SIZE SENSOR PBA UPPER	1
2		9165.952	- FRONT PLATE CROSSMEMBER	2		17H	9165.603	-- PIN PLATE HOLDER	2
3		9165.953	- FRONT RIGHT HANDLE	1		17J	9165.605	-- COMPRESSION SPRING	2
4		9165.954	- FRONT COVER HINGE	2		17K	9156.208	-- CONNECTOR SNAP TIGHT	2
5	●	9165.019	- INNER COVER FIXING	1		17L	9156.690	-- SCREW M3X6	4
6	●	9165.955	- INNER COVER	1		17M	9165.965	-- CABLE UPPER SIZE SENSOR PBA	1
7		9165.956	- RIGHT- U REINFORCEMENT	1		17N	9165.609	-- CABLE LOWER SIZE SENSOR PBA	1
8		9165.624	- REINFORCEMENT PLATE RIGHT	1		18	9165.944	- STEPPED SCREW M4	1
9		9165.625	- REINFORCEMENT PLATE LEFT	1		19	9165.193	- TENSION SPRING	1
10	●	9165.957	- INNER COVER BLANKING PLATE	1		20	9165.967	- LABEL "WARNING LASER"	1
11		9165.958	- DOOR SWITCH MOUNT	1		21	9165.968	- LABEL "CAUTION LASER"	1
12		9166.929	- LEAF SPRING, FROM 3121.03000 AND FOR 3122	1		22	9156.177	- SWITCH PUSH SW2	1
13		9165.959	- I.L. LEVER	1		23	9156.201	- CLIP CABLE	1
14		9165.960	- THRUST STOP PLATE, UP TO 3121.03000	1		24	9155.363	- WIRE CLIP	1
14A		9166.930	- THRUST STOP PLATE, FROM 3121.03000 AND FOR 3122	1		25	9165.969	- CABLE CLAMP	1
15	●	9165.065	- CASSETTE CLICK UNIT	2		26	9156.091	- SCREW RS M4X8	1
15A		9165.618	-- CLICK LEVER	1		27	9156.274	- SCREW RS M4X12	6
15B		9165.619	-- STEPPED SCREW M3	1					
15C		9165.620	-- PLATE HORIZONTAL REGISTRATION	1					
15D		9165.621	-- CLICK LEVER SUPPORT	1					
15E		9165.622	-- TENSION SPRING	1					
15F		9165.623	-- STEPPED SCREW RS M4.	1					
15G		9165.961	-- CASSETTE STOP BLOCK	1					
16	●	9165.962	- HANDLE UNIT	1					
	●	7140.392	- FEEDER ENGAGEMENT HANDLE UNIT	1					
17	●	9165.963	- SIZE SENSOR SWITCH UNIT	1					
17A		9165.606	-- MOUNT PBA HOLDER	1					
17B		9165.604	-- PBA HOLDER	2					
17C		9165.601	-- PBA COVER	2					
17D		9165.607	-- CABLE GUIDE	1					
17E		9165.608	-- GROUNDING CABLE	2					

INDEX	SP.	PART NO.	DESCRIPTION	QTY
			INTERNAL COMPONENTS 1	1
1	●	9165.005	- POSITIONING PIN	1
2	●	9157.059	- PIN PLATE	1
3		9165.970	- SHEET	1
4		9165.971	- SHEET 1	2
5		9165.972	- SHEET GLASS PROTECTIVE	2
6		9165.586	- UPPER RAIL LEFT	1
7		9165.587	- LOWER RAIL LEFT	1
8		9165.588	- COVER RIGHT RAIL	2
9	●	9165.014	- POSITIONING PIN	2
10		9165.973	- COVER DELIVERY CONNECT	1
11		9165.974	- AC CABLE COVER	1
12		9165.975	- REAR LOWER FEEDER GUIDE	1
13		9165.976	- RAIL DEVELOPING ASSY	1
14	●	9165.977	- STOP BLOCK	2
15		9165.978	- SLIDE BLOCK	1
16	●	9165.141	- SIDE REGISTRATION LINK	1
17	●	9165.142	- TORSION SPRING	1
20		9165.979	- PLATE CABLE CLAMP	1
21		9165.980	- TONER SENSOR CABLE	1
21L		9156.204	- CONNECTOR SNAP TIGHT	1
22		9165.981	- CABLE CCV	1
23		9165.982	- SIDE REGISTRATION CABLE	1
24		9165.983	- SIDE REG. CONECT CABLE	1
24L		9156.204	- CONNECTOR SNAP TIGHT	1
24M		9156.208	- CONNECTOR SNAP TIGHT	1
25		9165.984	- ELECTRO MOUNT	1
25L		9165.985	- PUSH NUT	1
28		9165.986	- FRONT SUPPORT	1
29		9165.987	- REAR SUPPORT	1
30		9165.611	- RAIL RIGHT	2
31		9165.988	- BRACKET	1
33		9165.989	- LOWER PLATE	1
34		9165.990	- REAR PLATE	1
35		9165.991	- UPPER CROSSMEMBER	1

INDEX	SP.	PART NO.	DESCRIPTION	QTY	
		35L	9165.992	- SHEET MOTOR CABLE GUIDE	1
		37	● 9165.083	- STEPPING MOTOR M9	1
		38	● 9156.175	- IC PHOTO-MICROSENSOR PS14	1
		39	9165.664	- BUSHING	1
		40	9165.664	- BUSHING	1
		42	9165.623	- STEPPED SCREW RS M4.	1
		44	9158.578	- SCREW STEPPED M4	1
		45	9165.994	- GEAR 12T/36T	1
		46	9165.995	- TENSION SPRING	1
		47	9165.612	- TENSION SPRING	2
		48	9156.204	- CONNECTOR SNAP TIGHT	1
		49	9156.208	- CONNECTOR SNAP TIGHT	1
		50	9156.369	- CONNECTOR SNAP TIGHT	1
		51	9166.856	- FERRITE CORE	1
		52	● 9156.205	- CLAMP CABLE	2
		53	9165.275	- CABLE CLAMP	1
		54	● 9156.091	- SCREW RS M4X8	1
		55	● 9156.196	- SCREW RS M3X8	1
		56	● 9156.196	- SCREW RS M3X8	1
		57	● 9156.196	- SCREW RS M3X8	2
		75	9166.965	- CABLE, CHOKE COIL (FOR 3122)	1
		76	9166.966	- COIL, CHOKE (FOR 3122)	3
		77	9165.303	- CLAMP CABLE (FOR 3122)	3
		78	9156.091	- SCREW RS M4X8 (FOR 3122)	1
		79	9166.889	- SCREW RS M4X8 (FOR 3122)	6
		501	● 9155.843	- MACH.TRUSS HEAD SCREW	2
		502	● 9155.843	- MACH.TRUSS HEAD SCREW	1

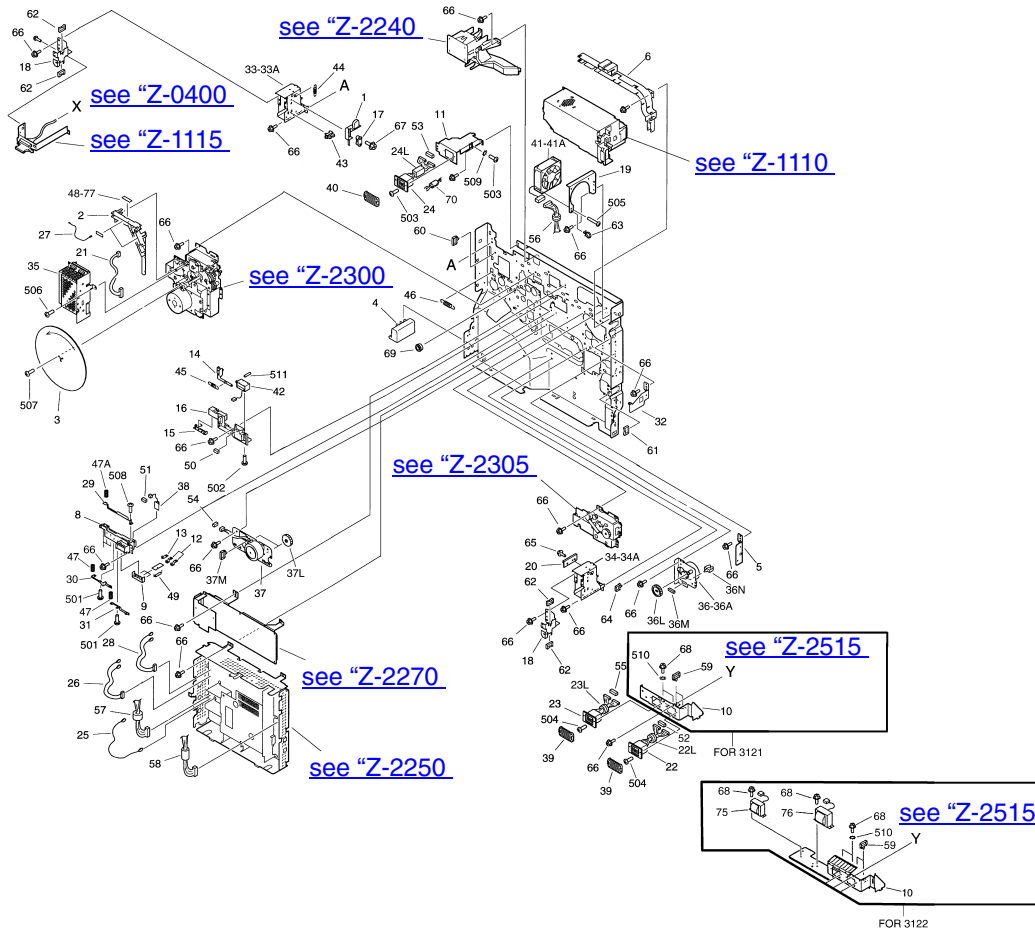
Z-2515 Internal components 2



INDEX	SP.	PART NO.	DESCRIPTION	QTY
			INTERNAL COMPONENTS 2	1
1	●	9157.474	- BUSHING	1
2		9165.996	- KNOB	1
3		9165.997	- CAM DEVELOPMENT PRESSURE	2
4		9165.998	- HANDLE DEVELOPMENT PRESSURE	1
5	●	9165.015	- SHAFT PAPER DELIVERY	1
6		9165.999	- BUSHING	1
7		9166.001	- BUSHING	1
8	●	9165.016	- RUBBER FOOT	2
9		9166.002	- BLANKING SHEET	1
10		9166.003	- FRONT PUSH-ON BLOCK	1
11		9166.004	- REAR PUSH-ON BLOCK	1
12	●	9165.032	- PRESSURE SHAFT	1
13		9166.956	- TRANSFER GUIDE SUPPORT BLOCK	1
14	●	9165.044	- FEED PRESSURE SHAFT	1
15		9166.005	- LEAF SPRING HOLDER	1
16	●	9165.045	- UPPER LEAF SPRING	1
17	●	9165.046	- LOWER LEAF SPRING	1
18		9166.006	- LEVER PAPERFEED PRESSURE	1
19		9166.007	- PRESSURE CAM	1
20		9166.008	- CAM SHAFT	1
21		9166.009	- MOUNT PRESSURE CAM	1
22		9165.616	- COVER HEATER CONNECTOR	1
23		9165.613	- COVER CASSETTE HEATER	1
24	●	9165.057	- UPPER REGISTRATION ROLLER	1
25	●	9165.058	- LOWER REGISTRATION ROLLER	1
26		9166.010	- UPPER TRANSFER GUIDE	1
26L		9166.011	- UPPER TRANSFER SHEET	1
27		9166.012	- LOWER TRANSFER GUIDE	1
27L	●	9165.128	- LOWER TRANSFER SHEET	1
28		9166.021	- CASSETTE HEATER UNIT	1
29		9166.013	- CASSETTE HEATER	1
30	●	9156.734	- BUSHING	1

INDEX	SP.	PART NO.	DESCRIPTION	QTY
31	●	9156.734	- BUSHING	1
32	●	9136.568	- BUSHING	1
33	●	9157.507	- BUSHING	1
34		9166.014	- BUSHING	1
35		9166.015	- TENSION SPRING	2
36		9166.016	- UPPER REGISTRATION BUSHING	2
37		9166.017	- COMPRESSION SPRING	2
38	●	9155.042	- WIRE CLIP	2
39		9165.275	- CABLE CLAMP	1
40	●	9156.091	- SCREW RS M4X8	1
41	●	9156.091	- SCREW RS M4X8	1
42		9165.361	- E-RING	1
43		9165.361	- E-RING	2
44	●	9156.741	- BEARING BALL	2
501	●	9155.843	- MACH.TRUSS HEAD SCREW	2
502		9155.857	- MACH.TRUS HEAD SCREW	2
503		9158.049	- SCREW TRUSS HEAD M4X4	5
504		9156.529	- SCREW TRUSS HEAD M4X6	1
505		9165.951	- TH MACH SCREW M4X16	1
506		9166.018	- TP SCREW M4X5	2
507		9166.019	- TP SCREW M5X12	2
508		9166.019	- TP SCREW M5X12	1
509		9156.275	- RING-E	2
510		9165.281	- DOWEL PIN	2

Z-2520 Machine rear plate



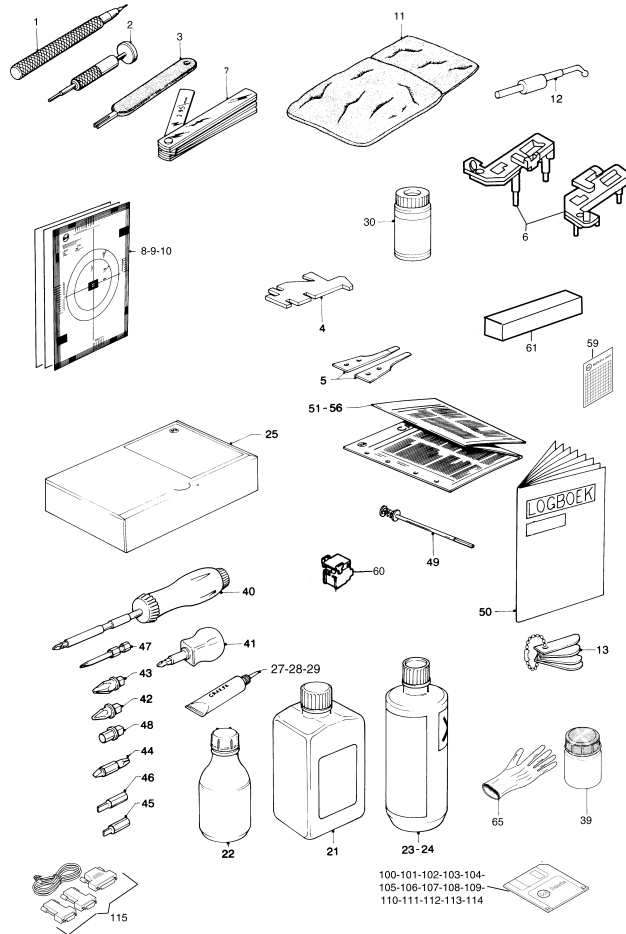
INDEX	SP.	PART NO.	DESCRIPTION	QTY
			MACHINE REAR PLATE	1
1	●	9166.020	- SENSING LEVER	1
2		9166.022	- DC CABLE GUIDE 1	1
3		9166.023	- FLYWHEEL	1
4		9166.024	- RIGHT HANDLE REAR	1
5		9166.025	- REAR PLATE REINFORCEMENT	1
6		9166.026	- CABLE GUIDE 2	1
8		9166.027	- TRANSFER CONNECTING BLOCK	1
9		9166.028	- CORD SUPPORT	1
10		9166.029	- MOUNT ACC CONNECTOR (FOR 3121)	1
		9166.968	- MOUNT ACC CONNECTOR (FOR 3122)	1
11		9166.030	- MOUNT DF CONNECTOR	1
12	●	9165.120	- TERMINAL PLATE 1	2
13	●	9165.121	- TERMINAL PLATE 2	1
14		9166.031	- LINK SOLENOID DRIVE	1
15		9166.032	- CONTACT PLATE	1
16		9166.033	- CONTACT BLOCK	1
17		9166.034	- ROLLER SENSOR MOUNT	1
18		9166.035	- RDF SLIDER PLATE	2
19		9166.036	- MOUNT COOLING FAN	1
20		9166.037	- RDF GUIDE	1
21		9166.038	- CABLE FLUORESCENT LAMP	1
22		9166.039	- CABLE SORTER	1
22L		9165.302	- CORE	1
23		9166.040	- CABLE PEDESTAL	1
23L		9165.302	- CORE	1
24		9166.041	- CABLE DF	1
24L		9166.042	- FERRITE CORE	1
25		9166.043	- CABLE TRANSFER	1
26		9166.044	- CABLE STATIC EL/TRANS. GUIDE	1
27		9166.045	- CABLE DEV/OUTPUT	2
28		9166.046	- CABLE DEV/PRIMARY	1
29	●	9165.165	- TERMINAL PLATE TG	1

INDEX	SP.	PART NO.	DESCRIPTION	QTY
30	●	9165.166	- TERMINAL PLATE T	1
31	●	9165.167	- TERMINAL PLATE S	1
32		9166.047	- PRINTER SUPPORT	1
33		9166.048	- RDF SLIDE MOUNT, UP TO 3121.03000	1
33A		9166.932	- RDF SLIDE MOUNT, FROM 3121.03000 AND FOR 3122	1
34		9166.048	- RDF SLIDE MOUNT, UP TO 3121.03000	1
34A		9166.932	- RDF SLIDE MOUNT, FROM 3121.03000 AND FOR 3122	1
35	●	9165.064	- APC POWER SUPPLY PBA	1
36	●	9165.066	- INLET DRIVE UNIT, DUPLEX MOTOR M7 UP TO 3121.03000	1
36A	●	9166.931	- INLET DRIVE UNIT, DUPLEX MOTOR M7 FROM 3121.03000 AND FOR 3122	1
36L		9166.050	- GEAR 34T	1
36M		9156.208	- CONNECTOR SNAP TIGHT	1
36N		9155.041	- CABLE CLAMP	1
37	●	9165.067	- LOWER FEED DRIVE UNIT M6	1
37L		9166.050	- GEAR 34T	2
37M		9165.275	- CABLE CLAMP	1
38	●	9165.174	- DRUM SENSOR UNIT	1
39		9156.517	- COVER CONNECTOR 1	2
40		9156.517	- COVER CONNECTOR 1	1
41	●	9165.086	- FAN POWER SUPPLY COOLING FM5	1
41A		9166.984	- FAN POWER SUPPLY COOLING FM5 (FOR 3122)	1
42	●	9165.179	- SOLENOID DC24V SL1	1
43	●	9156.175	- IC PHOTO-MICROSENSOR PS3	1
44		9166.052	- TENSION SPRING	1
45	●	9165.194	- TENSION SPRING	1
46		9166.054	- TENSION SPRING	1
47		9166.055	- COMPRESSION SPRING	2
47A		9173.726	- COMPRESSION SPRING	1

INDEX	SP.	PART NO.	DESCRIPTION	QTY
48		9165.836	- LABEL "HIGH VOLTAGE" (FOR 3121)	2
49		9166.057	- RESISTOR 10KOHM 1/4W	3
50		9156.203	- CONNECTOR SNAP TIGHT	1
51		9156.203	- CONNECTOR SNAP TIGHT	1
52		9156.207	- CONNECTOR SNAP TIGHT	1
53		9156.264	- CONNECTOR SNAP TIGHT	1
54	●	9156.208	- CONNECTOR SNAP TIGHT	1
55		9157.141	- CONNECTOR SNAP TIGHT	1
56		9165.302	- CORE	1
57		9166.058	- FERRITE CORE	1
58	●	9166.059	- SLEEVE CORE	1
59	●	9156.205	- CLAMP CABLE	2
60	●	9156.205	- CLAMP CABLE	4
61	●	9156.201	- CLIP CABLE	1
62	●	9156.201	- CLIP CABLE	4
63	●	9155.095	- CORD CLAMP	1
64		9165.275	- CABLE CLAMP	1
65		9156.690	- SCREW M3X6, UP TO 3121.03000	1
66	●	9156.091	- SCREW RS M4X8	1
67		9156.274	- SCREW RS M4X12	1
68	●	9156.196	- SCREW RS M3X8	2
69		9165.574	- BEARING BALL	1
70		9166.985	- CLAMP, SLEEVE FERRITE	1
75		9166.969	- COIL, CHOKE (FOR 3122)	1
76		9166.970	- COIL, CHOKE (FOR 3122)	1
77		9165.836	- LABEL "WARNING, HIGH TEMP" (FOR 3122)	1
501		9166.060	- TH MACH SCREW M3X4	5
502		9155.832	- MACH.TRUSS.HEAD SCREW	2
503		9156.532	- SCREW TRUSS HEAD M3X6	3
504		9156.532	- SCREW TRUSS HEAD M3X6	4
505		9156.613	- SCREW TRUSS HEAD M4X25	3
506		9165.481	- SCREW W/WASHER M4X6	1
507		9166.061	- SCREW W/WASHER M4X10	3
508		9165.345	- TAPPING TH SCREW M3X6	1

INDEX	SP.	PART NO.	DESCRIPTION	QTY
509		9166.062	- TOOTHED LOCK WASHER	1
510		9166.062	- TOOTHED LOCK WASHER	1
511	●	9815.560	- DOWEL PIN	1

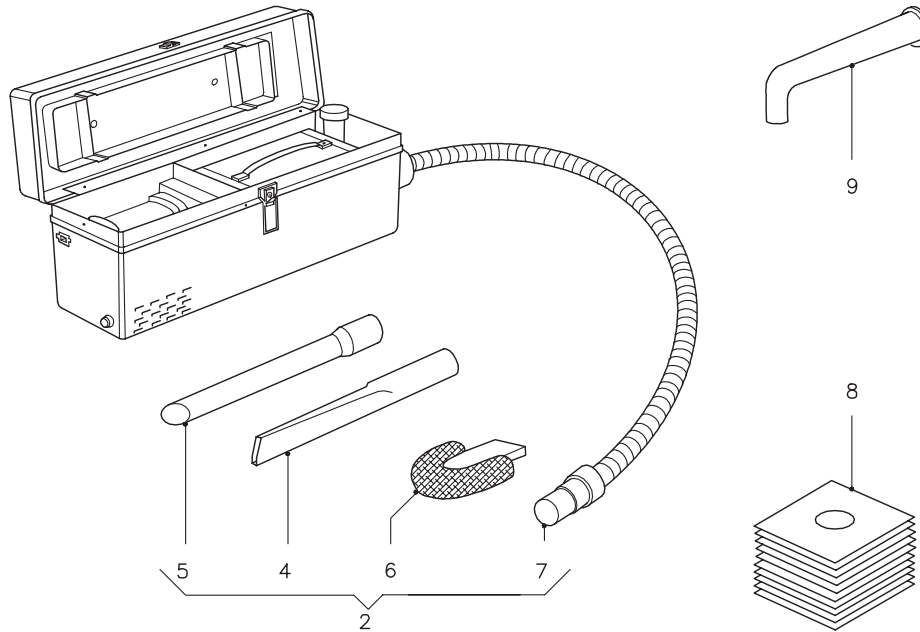
Z-2575 Tools / CAS-C Cards



INDEX	SP.	PART NO.	DESCRIPTION	QTY	INDEX	SP.	PART NO.	DESCRIPTION	QTY
			TOOLS / CAS-C CARDS	1					
1	●	7991.374	- EXTRACTION TOOL 1	1	46	●	7991.478	- BIT-FLAT TIP 046X9/32	1
2	●	7991.375	- EXTRACTION TOOL 2	1	47	●	7991.479	- BIT-POW PHIL ARC 1-15/1	1
3	●	7991.401	- EXTRACTION TOOL	1	48	●	7991.480	- BIT- 1/4HD - 1/4SQ	1
4	●	9156.035	- DOOR SWITCH	1	49	●	7991.489	- E-CLIP PULLER	1
5	●	9156.036	- STOPPING PLIERS/REPLACE	1	50	●	0109.327	- LOGBOOK	1
6		9166.800	- MIRROR POSITIONING TOOL	1	51		0109.328	- CAS-C CARD NL	1
7	●	7991.158	- THICKNESS GAUGE	1	52		0109.329	- CAS-C CARD GB	1
8	●	1068.094	- TESTCHART 1	1	53		0109.330	- CAS-C CARD DE	1
9	●	1947.490	- TESTCHART 19	1	54		0109.331	- CAS-C CARD FR	1
10	●	0831.212	- TESTCHART 25	1	55		0109.332	- CAS-C CARD IT	1
11	●	7991.194	- WASTE BAG	1	56		0109.333	- CAS-C CARD ES	1
12	●	7991.143	- TENSION GAUGE	1	59	●	4827.348	- MODIFICATION LABEL	1
13	●	9162.205	- S-B GAP GAGE	1	60	●	29701.442	- S17 STAPLE CARTRIDGE (3X2000)	1
18		9714.527	- CLEANING CLOTH	1	61		26901.462	- TONER	1
19	●	7991.255	- MASSLIN 650 N.WOVEN TOWELS	1	62		26901.463	- OPC DRUM	1
20	●	1093.797	- CLEANING CLOTH	1	63	●	9166.816	- PRESSURE RELEASE PLATE	1
21	●	1055.449	- CLEANER R	1	65		9719.543	- GLOVES	1
22	●	1055.452	- CLEANER O MIRROR	1	100	●	7991.535	- DOWNLOAD UT. IP SW V1.0	1
23	●	1929.023	- CLEANER GB- NL- DK- NO- SE	1	101	●	7991.567	- IP LANGUAGE GB SW R.59	1
24	●	1929.022	- CLEANER GB- FR- DE- IT- ES	1	102	●	7991.568	- IP LANGUAGE FR SW R.59	1
25	●	1068.116	- CLEANER A - KIT	1	103	●	7991.569	- IP LANGUAGE DE SW R.59	1
26	●	1068.112	- - CLEANING CLOTH	1	104	●	7991.570	- IP LANGUAGE DK SW R.59	1
27	●	1842.018	- CONDUCTIVE GREASE	1	105	●	7991.571	- IP LANGUAGE SE SW R.59	1
28	●	7991.454	- GREASE TEMP 78	1	106	●	7991.572	- IP LANGUAGE NO SW R.59	1
29	●	7991.395	- SPECIAL GREASE TUBE	1	107	●	7991.573	- IP LANGUAGE NL SW R.59	1
30	●	9156.033	- LUBRICANT CLEANING	1	108	●	7991.574	- IP LANGUAGE ES SW R.59	1
39	●	7991.393	- GREASE POLYLUB GLY 801	1	109	●	7991.575	- IP LANGUAGE PT SW R.59	1
40	●	7991.472	- SCREWDRIVER RATCHET MAG	1	110	●	7991.576	- IP LANGUAGE CZ SW R.59	1
41	●	7991.473	- SCREWDRIVER RATCHET MAG 5	1	111	●	7991.577	- IP LANGUAGE HU SW R.59	1
42	●	7991.474	- BIT-PHIL ACR 1	1	112	●	7991.578	- IP LANGUAGE PL SW R.59	1
43	●	7991.475	- BIT-PHIL ACR 2	1	113	●	7991.579	- IP LANGUAGE IT SW R.59	1
44	●	7991.476	- BIT-PHIL WOBBLE 2	1	114	●	7991.580	- IP LANGUAGE FI SW R.59	1
45	●	7991.477	- BIT-FLAT TIP 031X3/16	1	115		7991.513	- CABLE SET LAPTOP	1
					115L		7991.508	- - CABLE MODULAIR RJ45	1

INDEX	SP.	PART NO.	DESCRIPTION	QTY
115M		7991.509	- - ADAPTER DB25 FEM YELLOW	1
115N		7991.510	- - ADAPTER DB9 FEM YELLOW	1
115P		7991.511	- - ADAPTER DB9 FEM RED	1
120		5641.111	- 3121 ENGINE FIRM WEAR R59.04	1
121		5641.112	- 3121 ENGINE FIRM WEAR R73.01	1

Z-2580 Vacuum cleaner



INDEX	SP.	PART NO.	DESCRIPTION	QTY
			VACUUM CLEANER	1
2		7991.220	- VACUUM CLEANER	1
4		7991.368	- - CREVICE TOOL	1
5		7991.369	- - SNORKEL TUBE	1
6		7991.370	- - BRUSH ADAPTOR	1
7		7991.367	- - EXTENSION TUBE	1
8		7991.257	- FILTER BAGS (1 SET=10PCS)	1
9		7991.591	- SNORKEL NOZZLE	2

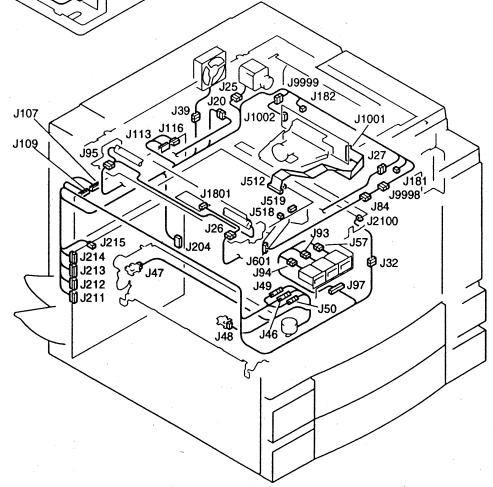
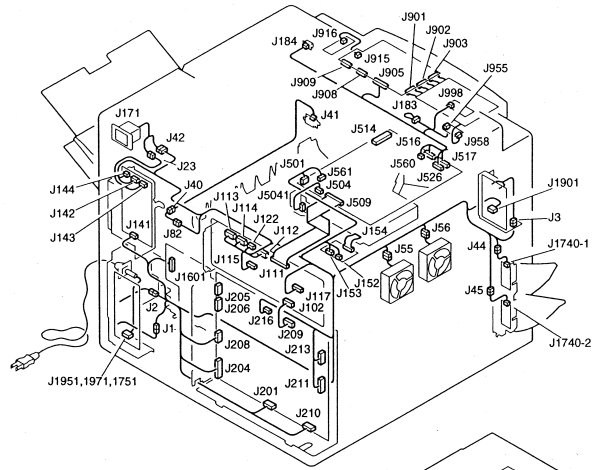
Z-2590 Language infosets

INDEX	SP.	PART NO.	DESCRIPTION	QTY
			LANGUAGE INFOSETS	
1		7157.675	- MEDIAPACK GB R1.21	1
2		7078.117	- INFO SET GB	1
3		7137.022	- FAX MANUAL GB	1
4		7055.985	- PRINTER MANUAL GB	1
				1
10		7157.676	- MEDIAPACK FR R1.21	1
11		7078.118	- INFO SET FR	1
12		7137.246	- FAX MANUAL FR	1
13		7055.986	- PRINTER MANUAL FR	1
				1
20		7157.677	- MEDIAPACK DE R1.21	1
21		7078.119	- INFO SET DE	1
22		7137.024	- FAX MANUAL DE	1
23		7055.987	- PRINTER MANUAL DE	1
				1
31		7078.120	- INFO SET DK	1
32		7055.975	- FAX MANUAL DK	1
				1
41		7078.121	- INFO SET SE	1
42		7137.026	- FAX MANUAL SE	1
				1
51		7078.122	- INFO SET NO	1
52		7137.027	- FAX MANUAL NO	1
				1
61		7078.123	- INFO SET NL	1
62		7137.028	- FAX MANUAL NL	1
				1
70		7157.678	- MEDIAPACK ES R1.21	1
71		7078.124	- INFO SET ES	1
72		7055.979	- FAX MANUAL ES	1
73		7055.992	- PRINTER MANUAL	1

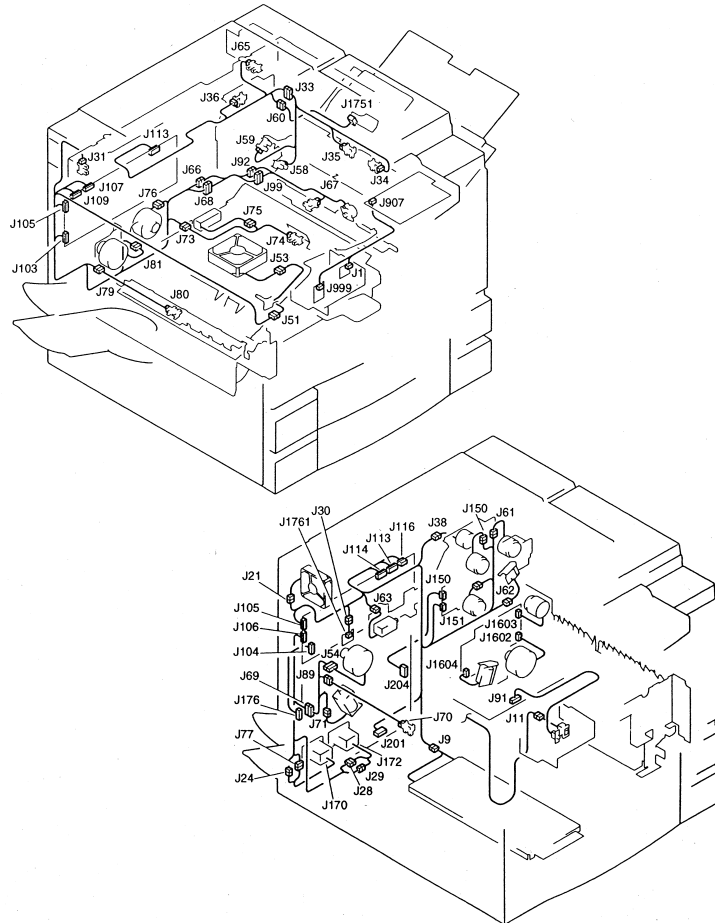
INDEX	SP.	PART NO.	DESCRIPTION	QTY
	81	7078.125	- INFO SET PT	1
	82	7137.245	- FAX MANUAL PT	1
				1
	91	7078.126	- INFO SET CZ	1
	92	7137.031	- FAX MANUAL CZ	1
				1
	101	7078.127	- INFO SET HU	1
	102	7137.032	- FAX MANUAL HU	1
				1
	111	7078.128	- INFO SET PL	1
	112	7137.243	- FAX MANUAL PL	1
				1
	120	7157.679	- MEDIAPACK IT R1.21	1
	121	7078.129	- INFO SET IT	1
	122	7137.034	- FAX MANUAL IT	1
	123	7055.997	- PRINTER MANUAL IT	1

List of Connectors

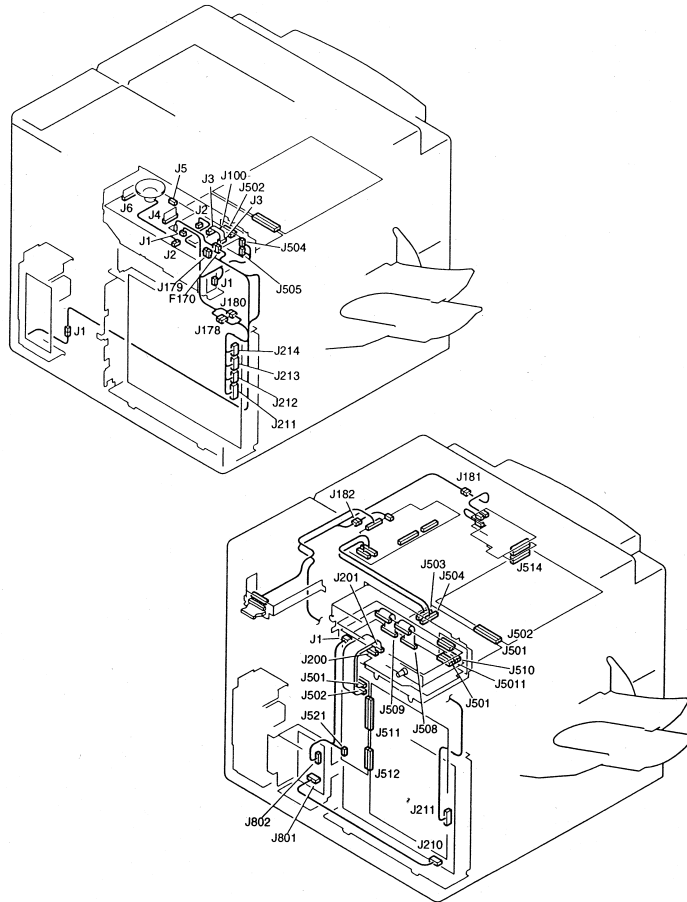
Z-9010 List of connector 1 Basic



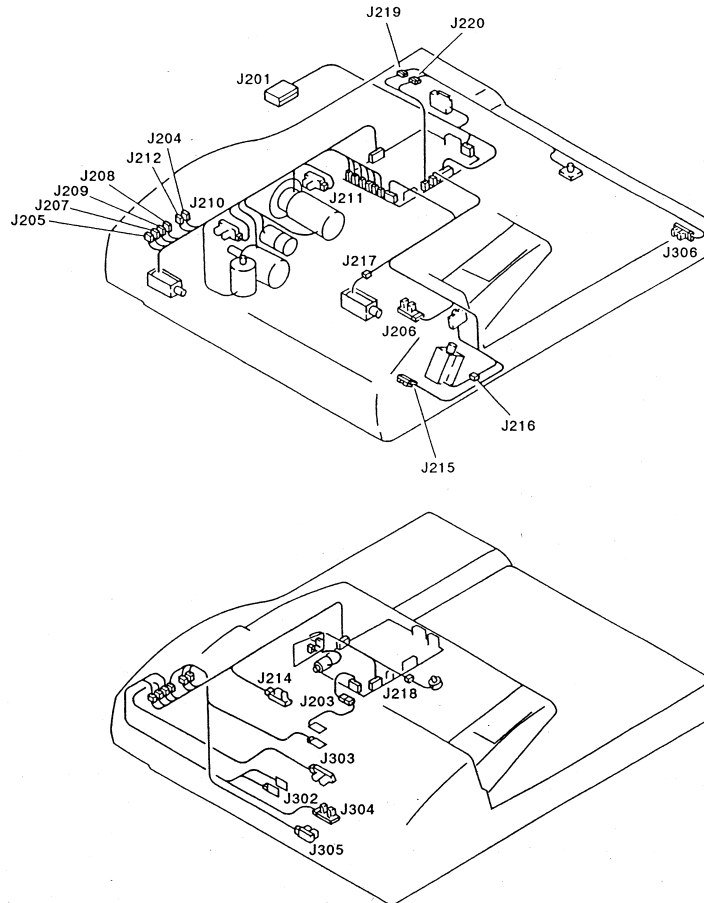
Z-9010 List of connectors 2 Basic



Z-9010 List of connectors 3 Basic



Z-9010 List of connectors 4 RDF-RADF



Z-9010 List of connectors 5 Stapler Sorter-E

