

**TOSHIBA**

---

DIGITAL PLAIN PAPER COPIER  
**OPERATOR'S MANUAL**

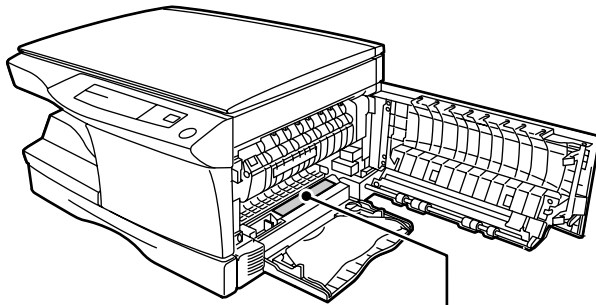
**e-STUDIO12/15**

CLASS 1 LASER PRODUCT

LASER KLASSE 1

LUOKAN 1 LASERLAITE

KLASS 1 LASERAPPARAT



**VAROITUS!**  
LAITTEEN KÄYTTÄMINEN  
MUULLA KUIN TÄSSÄ  
KÄYTTÖOHJEESSA MAINITULLA  
TAVALLA SAATTA A ALTISTAA  
KÄYTTÄJÄN  
TURVALLISUUSLUOKAN 1  
YLITTÄVÄLLE  
NÄKYMÄTTÖMÄLLE  
LASERSÄTEILYLLE.

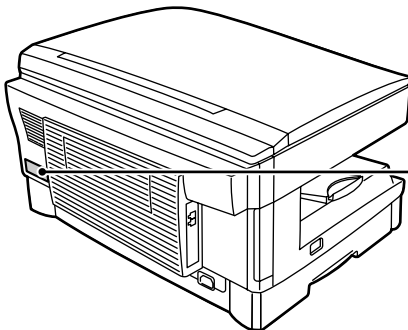
**VARNING**  
OM APPARATEN ANVÄNDS PÅ  
ANNAT SÄTT ÄN I DENNA  
BRUKSANVISNING  
SPECIFICERATS, KAN  
ANVÄNDAREN UTSÄTTAS FÖR  
OSYNLIG LASERSTRÅLNING,  
SOM ÖVERSKRIDER GRÄNSEN  
FÖR LASERKLASS 1.



Laserstrahl

**CAUTION** INVISIBLE LASER RADIATION WHEN OPEN AND INTERLOCKS DEFEATED.  
AVOID EXPOSURE TO BEAM.  
**VORSICHT** UNSICHTBARE LASERSTRAHLUNG WENN ABDECKUNG GEÖFFNET UND  
SICHERHEITSVORRICHTUNG ÜBERRÜCKT. NICHT DEM STRAHL AUSSETZEN.  
**ADVARSEL** USYNLIG LASERSTRÅLNING VED ÅBNING, NÅR SIKKERHEDSafbrydere ER  
UDE AF FUNKTION. UNDGÅ UDSÆTTELSE FOR STRÅLNING.

**ADVERSEL** USYNLIG LASERSTRÅLNING NÅR DEKSEL ÅPNES OG SIKKERHEDSLÅS BRYTES.  
UNNGÅ EKSPONERING FOR STRÅLEN.  
**VARNING** OSYNLIG LASERSTRÅLNING NÅR DENNA DEL ÄR ÖPPNAD OCH SPÄRRAR ÄR  
URKOPPLADE. STRÅLEN ÄR FARLIG. BETRÄKTA EJ STRÅLEN.  
**VARO!** AVATTAESSA JA SUOJALUKITUS OHJETTAESSA OLET ALTTIINA NÄKYMÄTÖNTÄ  
LASERSÄTEILYLLE. ÄLÄ KATSO SÄTEESEEN.



**CLASS 1  
LASER PRODUCT  
LASER KLASSE 1**

**Caution**

This product contains a low power laser device. To ensure continued safety do not remove any cover or attempt to gain access to the inside of the product. Refer all servicing to qualified personnel.

---

# CONTENTS

## **1 GETTING STARTED**

INTRODUCTION	3
CAUTIONS	4
MAIN FEATURES	5
PART NAMES	6
OPERATION PANEL	7
COPIER INSTALLATION	8
CAUTIONS ON HANDLING	9
LOADING COPY PAPER	10

## **2 MAKING COPIES**

NORMAL COPYING	12
– Setting a large original	14
EXPOSURE ADJUSTMENT/PHOTO COPYING	14
REDUCTION/ENLARGEMENT/ZOOM	15
BYPASS FEED (including special paper)	16
TWO-SIDED COPYING	17

## **3 SPECIAL FUNCTIONS**

DESCRIPTION OF SPECIAL FUNCTIONS	19
TONER SAVE MODE	19
USER PROGRAMS (power save modes, auto clear time, stream feeding mode)	20
– Setting the power save modes and auto clear time	20
DISPLAYING TOTAL NUMBER OF COPIES	21

## **4 SUPPLIES AND USER MAINTENANCE**

TONER CARTRIDGE REPLACEMENT	22
USER MAINTENANCE	24
– Cabinet	24
– Original table and original cover	24
– Transfer charger	25
– When copier is not in use	25

## **5 COPIER TROUBLE?**

- MISFEED REMOVAL **26**
  - A Misfeed in the paper feed area **27**
  - B Misfeed in the fusing area **27**
  - C Misfeed in the transport area **28**
- DEVELOPER REQUIRED **29**
- MAINTENANCE REQUIRED **29**
- TROUBLESHOOTING **30**
- STATUS INDICATORS **31**
- AUTOMATIC EXPOSURE ADJUSTMENT **32**

## **6 APPENDIX**

- SPECIFICATIONS **33**
- SUPPLIES **34**
  - Types and sizes of copy paper **34**

## **7 OPTIONAL EQUIPMENT**

- SYSTEM CONFIGURATION **36**
- AUTO DOCUMENT FEEDOR (MR-2013) **37**
  - Part names **37**
  - Specifications **37**
  - Using the ADF **37**
  - Stream feeding mode **38**
  - Misfeed in the ADF **38**
- 250-SHEET PAPER FEED UNIT (MY-1019) **40**
  - Part names **40**
  - Loading copy paper **40**
  - Misfeed removal **40**
  - Specifications **41**

## **INDEX**

This chapter provides basic information for using the copier.

## INTRODUCTION

This copier has been designed to provide intuitive operating ease while requiring a minimum amount of space. To get full use of all copier features, be sure to familiarise yourself with this manual and the copier.

For quick reference during copier use, keep this manual in a handy location.



Note

This copier can be used as a laser printer and as a facsimile machine by installing optional components. However, this manual describes only the copier features. For description of the printer features and facsimile features, see the separate manuals.

### Conventions used in this manual

In this manual, the following icons are used to provide the user with information pertinent to the use of the copier.



Warning

Warns the user that injury to the user or damage to the copier may result if the contents of the warning are not properly followed.



Caution

Cautions the user that damage to the copier or one of its components may result if the contents of the caution are not properly followed.



Note

Notes provide information relevant to the copier regarding specifications, functions, performance, operation and such, that may be useful to the user.



Indicates a letter displayed in the display.

### AB series (metric) and inch series references

When references are made to paper sizes and weights, the inch series values are quoted in brackets.

For example:

Page 34 ----- 52 to 130 g/m<sup>2</sup> (14 lbs. to 34.5 lbs.)

Page 35 ----- A4 (8-1/2" x 11")

# CAUTIONS

Follow the cautions below when using this copier.



- The fusing area is hot. Exercise care in this area when removing misfed paper.
- Do not look directly at the light source. Doing so may damage your eyes.
- Do not switch the copier rapidly on and off. After turning the copier off, wait 10 to 15 seconds before turning it back on.
- Copier power must be turned off before installing any supplies.



- Place the copier on a firm, level surface.
- Do not install the copier in a humid or dusty location.
- When the copier is not used for a long time, for example, for consecutive holidays, turn the power switch off and remove the power cord from the outlet.
- When moving the copier, be sure to turn the power switch off and remove the power cord from the outlet.
- Do not cover the copier with a dust cover, cloth or plastic film while the power is on. Doing so may prevent heat radiation, damaging the copier.
- Use of controls or adjustments or performance of procedures other than those specified herein may result in hazardous radiation exposure.

## Cautions on laser

Wave length	770 nm - 795 nm
Pulse times	11.82 $\mu$ s/7 mm
Output power	0.17 mW $\pm$ 0.01 mW

## Trademark acknowledgment

PCL is a trademark of Hewlett-Packard Company.

All other trademark and copyrights are the property of their respective owners.

# MAIN FEATURES

## ① High-speed laser copying

- Since warm-up time is zero, copying can be started immediately after the power switch is turned on.
- First-copy time is only 9.6 seconds (normal mode).
- Copying speed is 15 copies/min. (for e-STUDIO15), 12 copies/min. (for e-STUDIO12), which adapts to business use, allowing improvement of working efficiency.

## ② High-quality digital image

- High-quality image copying at 600 dpi can be performed.
- In addition to the automatic exposure mode, the manual exposure can be adjusted in five steps.
- The photo mode copying function allows clear copying of delicate halftone original images such as monochrome photos and colour photos.

## ③ Substantial copying functions

- Zoom copying from 50% to 200% in 1% increments can be performed.
- Continuous copying of maximum 99 sheets can also be performed.
- Toner save mode reduces toner consumption by approximately 10%.
- User programs allow setting/modification of functions for customer's needs.

## ④ Scan once / Print many (e-STUDIO15 only)

- The copier is equipped with a 1-page memory buffer. This memory allows the copier to scan an original once only and make up to 99 copies. This feature allows for improved workflow, reduced operating noise from the copier and reduced wear and tear on the scanning mechanism. This feature provides for a higher reliability.

## ⑤ Optional features(e-STUDIO15 only)

- An optional auto document feeder (ADF) allows automatic document feeding of up to 30 sheets.
- The copier can be used as a laser printer by installing an optional printer expansion kit.
- This copier can be used as a facsimile machine by installing an optional facsimile expansion kit.
- An optional 250-sheet paper feed unit (PFU) can be installed to allow a total capacity of 500 sheets with two paper trays.



Note

Some options may not be available in some countries.

## ⑥ Environmentally friendly design

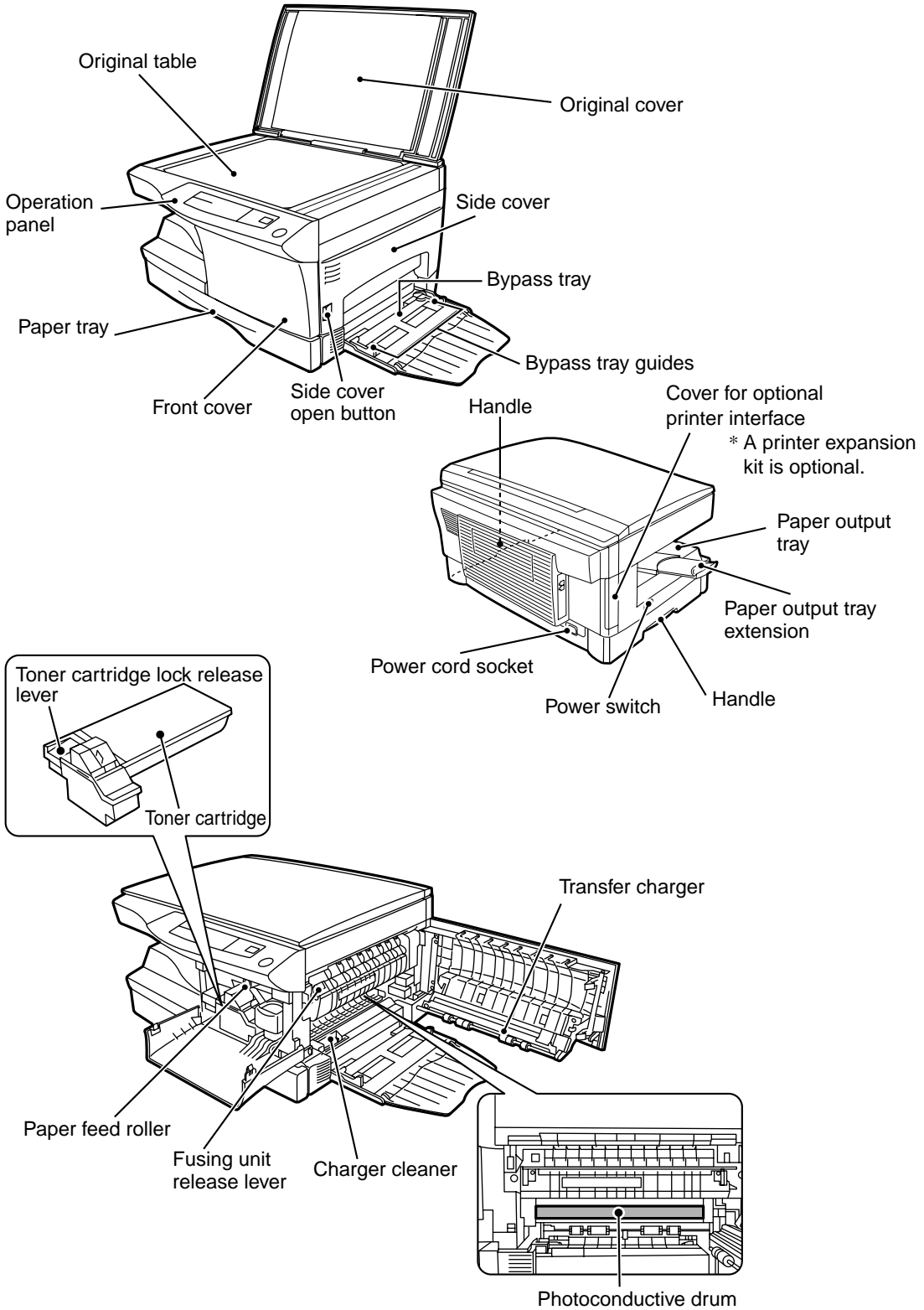
- Paper output tray is housed in the copier for space saving.
- Preheat and auto power shut-off modes are provided to reduce power consumption in standby mode.

## ⑦ The e-STUDIO12 has GDI Print function as standard.

# PART NAMES

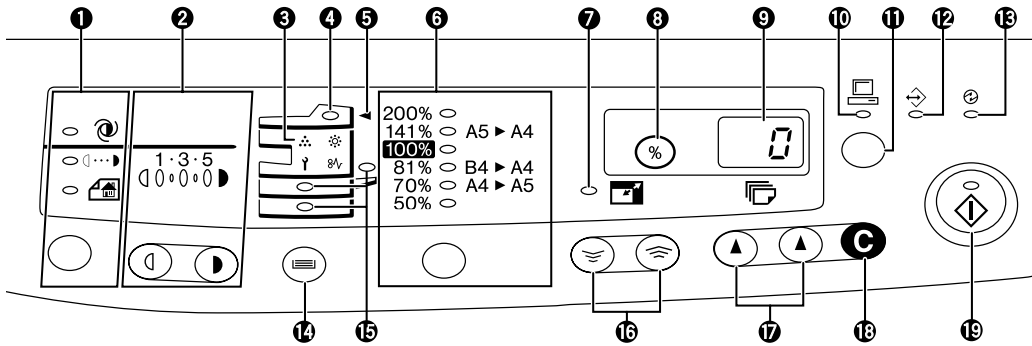
1

Getting started





# OPERATION PANEL



## 1 Exposure mode selector key and indicators

Use to sequentially select the exposure modes:

- : AUTO
- : MANUAL
- : PHOTO

Selected mode is shown by a lit indicator.  
(p. 15)

## 2 Light and dark keys and exposure indicators

Use to adjust the MANUAL or PHOTO exposure level. Selected exposure level is shown by a lit indicator. (p.15)

Use to start and terminate user program setting. (p. 20)

## 3 Alarm indicators

- : Developer replacement required indicator (p. 29)
- : Misfeed indicator (p. 26)
- : Toner cartridge replacement required indicator (p. 22)
- : Maintenance indicator (p. 29)

## 4 ADF indicator (p. 38) <sup>(1)</sup>

## 5 ADF misfeed indicator (p. 38) <sup>(1)</sup>

## 6 Copy ratio selector key and copy ratio indicators

Use to sequentially select preset reduction/enlargement copy ratios.

Selected copy ratio is shown by a lit indicator.  
(p. 16)

## 7 Zoom indicator (p. 16)

## 8 Copy ratio display (%) key (p. 15)

## 9 Display

Displays the specified copy quantity, zoom copy ratio, user program code, and error code.

## 10 ON LINE indicator

Lights up when the machine is used as a printer. To use the copier as a printer, an optional printer expansion kit is needed.

## 11 ON LINE key

Changes between the on-line and off-line modes when the PCL expansion kit has been installed and a PCL printer is used.

Changes modes from the off-line to on-line when the GDI expansion kit has been installed and a GDI printer is used.

## 12 DATA indicator <sup>(1)</sup>

Indicates that the printer is receiving or processing print data. To use the copier as a printer, an optional PCL expansion kit is needed.

## 13 Power save indicator

Lights up when the copier is in a power save mode. (p. 19)

## 14 Tray select key

Use to select a paper feed station (paper tray or bypass tray). (p. 17)

## 15 Paper feed location indicators

Light up to show the selected paper feed station.

## 16 Zoom keys

Use to select any reduction or enlargement copy ratio from 50 to 200% in 1% increments. (p. 15)

## 17 Copy quantity keys

- Use to select the desired copy quantity (1 to 99). (p. 15)
- Use to make user program entries. (p. 20)

## 18 Clear key

- Press to clear the display, or press during a copy run to terminate copying. (p. 13)
- Press and hold down during standby to display the total number of copies made to date. (p. 21)

## 19 Print key and ready indicator

- Copying is possible when the indicator is on.
- Use to set a user program.

(1) Except for e-STUDIO12

# COPIER INSTALLATION

Improper installation may damage the copier. Please note the following during initial installation and whenever the copier is moved.

**1** The copier should be installed by an authorized TOSHIBA Service Technician.



Note

The packing material should be disposed of properly.

**2**

To obtain the best possible results, this machine should be used in conjunction with a dedicated AC power line at the following ratings:  
220/230 VAC, 50Hz



Note

1. The use of other appliances or other equipment on the same line as this machine may adversely affect performance and copy quality.
2. Be sure to use a 3-conductor, grounded wall outlet.
3. In areas where a 2-pin plug is used, the copier must be grounded for safety. Never ground it to a gas pipe, a water pipe, or any other object not suitable for grounding.

**3**

After a suitable place has been selected for installation of the copier, please avoid frequent movement. Avoid excessive heat, dust, vibration and direct sunlight. Also, provide proper ventilation as the copier emits a small amount of ozone.



Caution

If the copier is moved from a cool place to a warm place, condensation may form inside the copier. Operation in this condition will cause poor copy quality and malfunctions. Leave the copier at room temperature for at least 2 hours before use.

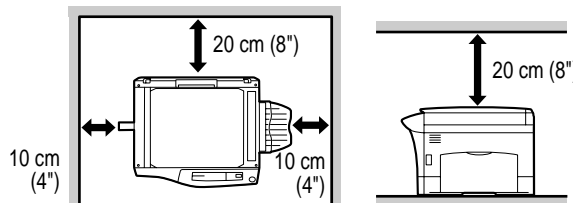


Note

1. The recommended environmental range for use is as follows:

- Temperature: 10~30°C/50~86°F
- Humidity: 20~85% RH

2. To ensure optimal operation, allow clearances of at least 10 cm on the left, 10 cm on the right and 20 cm in the rear (refer to the illustration below).



The copier should be placed near an outlet that is easily accessible.

**4** Handle and use the machine gently and carefully.

- Do not drop the copier, subject it to shock or strike it against any object.
- Do not touch the photoconductive drum (green portion).  
Scratches or smudges on the drum will cause dirty copies.
- Do not place anything on the paper cassettes or original feed tray.
- Never allow the power cable to be trampled on or pinched between hard objects, otherwise an accident or electrical trouble might occur.
- Do not allow any metal items such as paper clips to fall into the copier.

**5** Be sure to turn OFF the power switch

- When you leave your office at night.
- If a power failure occurs.



Caution

When turning OFF the power switch, be sure to do so only after the machine cycling has come to a complete stop.

Be sure to disconnect the power-cord plug:

- When you do not intend to use the machine for an extended period of time.

Be sure to turn OFF the power switch immediately and call for service:

- If an unusual noise is heard from the copier.
- If the outside of the copier becomes unusually hot.
- If any part of the copier is damaged, or it has been dropped.
- If the copier has been exposed to rain or liquid.

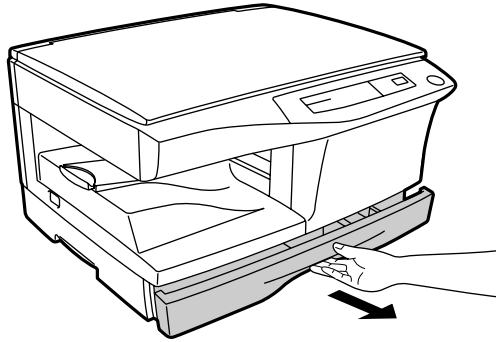
**6** It is recommended that only supplies made or designated by Toshiba be used for the copier in order to optimize copy quality. All supplies should be stored in a cool, dry area.

For optimum performance, it is recommended that high quality 80 g/m<sup>2</sup>. Xerographic bond paper be used.

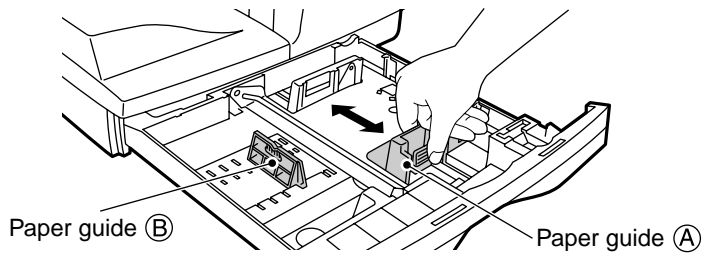
Paper of lower quality may contain inherent properties such as excess paper dust and may lead to premature servicing.

# LOADING COPY PAPER

- 1 Raise the handle of the paper tray and pull the paper tray out until it stops.



- 2 Adjust the paper guides on the paper tray to the copy paper width and length. Squeeze the lever of paper guide (A) and slide the guide to match with the width of the paper. Move paper guide (B) to the appropriate slot as marked on the tray.

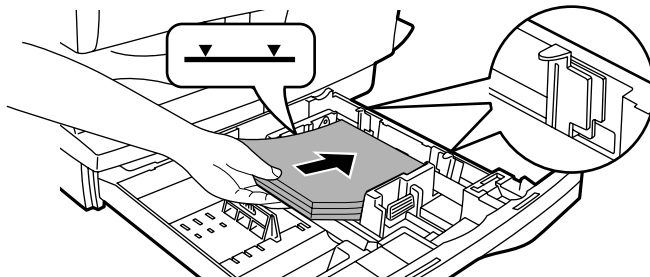


- 3 Fan the copy paper and insert it into the tray. Make sure the edges go under the corner hooks.



Note

Do not load paper above the maximum height line ( ▼▼ ). Exceeding the line will cause a paper misfeed.

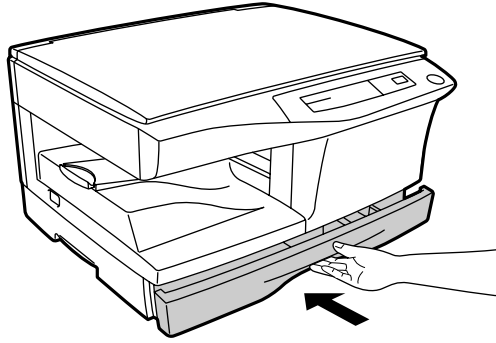


- 4** Gently push the paper tray back into the copier.



Note

After loading copy paper, to cancel the blinking "P" without restarting copying, press the clear (C) key. The "P" in the display will go out and the ready (D) indicator will light up.



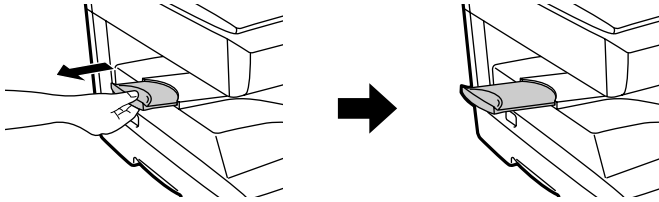
# 2

## MAKING COPIES

This chapter describes basic copying functions and some other copying functions using the bypass tray.

### NORMAL COPYING

- 1 Ensure that paper of the desired size is set in the paper tray. See page 10, **LOADING COPY PAPER**. When copying onto paper larger than A4 (8-1/2" x 11") size, pull out the paper output tray extension.

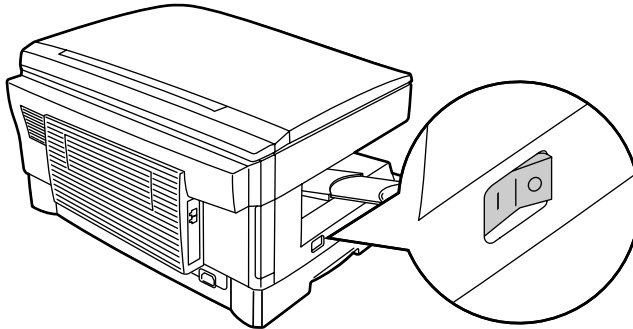


- 2 Turn the power switch on. The ready (Ⓢ) indicator will light up.

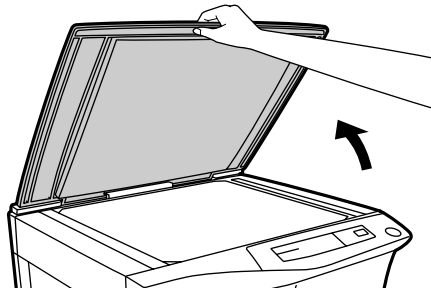


Note

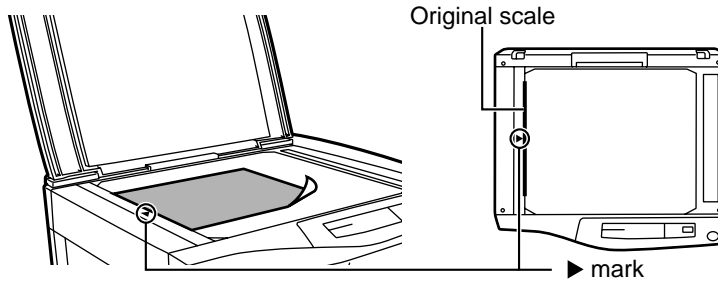
- The copier will enter a power save mode once the set time has elapsed without any copier operation after the last copy of a run is made or power is turned on. The settings of the power save modes can be modified. See page 20, **USER PROGRAMS**.
- The copier will return to the initial settings a preset amount of time after the last copy is made. The preset amount of time (auto clear time) can be changed. See page 20, **USER PROGRAMS**.



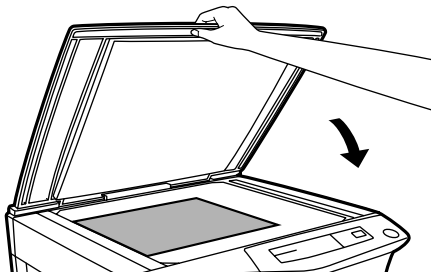
**3** Open the original cover.



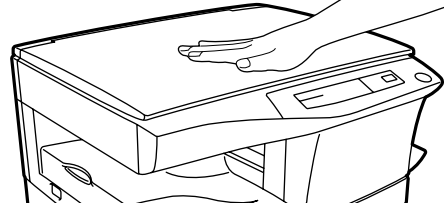
**4** Place the original face down on the original table. Align it with the original scale and the centring (▶) mark.



**5** Gently close the original cover. When copying a book or an original which has been folded or a crumpled original, press down the original cover lightly. If the original cover is not securely closed, the copies may be striped or blurred.



**A book, an original which has been folded, or a crumpled original**

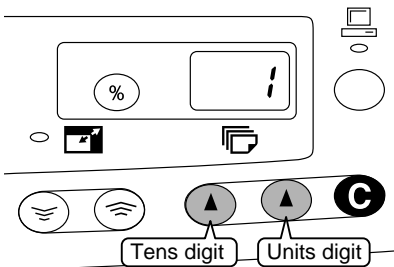


**6** Set the number of copies using the two copy quantity (▲, ▲) keys.



Note

- Press the clear (C) key to clear an entry if a mistake is made.
- A single copy can be made with the initial setting, i.e., when “1” is displayed.



- Press the right copy quantity key to set the units digit from 0 to 9. This key will not change the tens digit.
- Press the left copy quantity key to set the tens digit from 1 to 9.

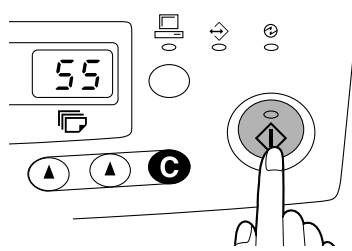
## NORMAL COPYING

- 7 Press the print (Ⓞ) key.



Note

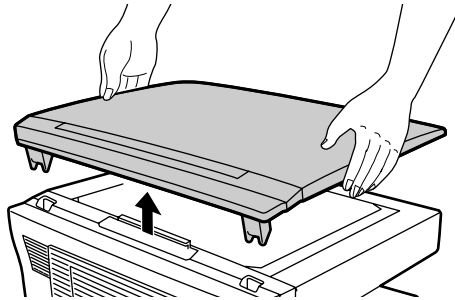
- To display the number of copies made in a continuous run, press the left copy quantity key.
- To stop copying in the middle of a run, press the clear (Ⓞ) key. Copying will stop and the number in the display will be reset to "1".



### Setting a large original

The original cover can be removed to allow copying of bulky objects.

- 1 Simply lift the original cover straight up.



- 2 To reattach the original cover, reverse the above procedure.

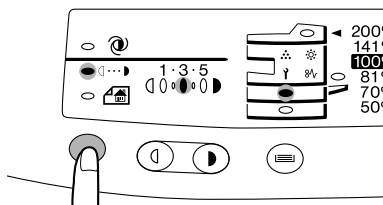
## EXPOSURE ADJUSTMENT/PHOTO COPYING

Copy density adjustment is not required for most originals in the automatic exposure (Ⓞ) mode. To adjust the copy density manually or to copy photographs, the exposure level can be adjusted in five steps manually.

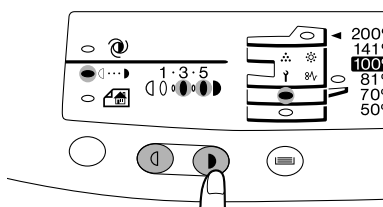
- 1 Set the original and check the copy paper size.



- 2** Press the exposure mode selector key to select the MANUAL (M) mode or PHOTO (P) mode.



- 3** Use the light (L) and dark (D) keys to adjust the exposure level. If exposure level 2 is selected, the two left-handmost indicators for that level will light up simultaneously. Also, if level 4 is selected, the two right-handmost indicators for that level will light up simultaneously.



- 4** Set the number of copies using the copy quantity (▲, ▼) keys and press the print (P) key.

## REDUCTION/ENLARGEMENT/ZOOM

Three preset reduction ratios and two enlargement ratios can be selected. The zoom function enables copy ratio selection from 50% to 200% in 1% increments.

- 1** Set the original and check the copy paper size.
- 2** Use the copy ratio selector key and/or zoom (⊖, ⊕) keys to select the desired copy ratio.



Note

- To verify a zoom setting without changing the zoom ratio, press and hold down the copy ratio display (%) key. When the key is released, the display will return to the copy quantity display.
- To reset the ratio to 100%, press the copy ratio selector key repeatedly until the 100% indicator lights up.

## REDUCTION/ENLARGEMENT/ZOOM

### To select a preset copy ratio:

Preset reduction and enlargement ratios are: 50%, 70%, 81%, 141%, and 200% (50%, 64%, 78%, 129%, and 200%)

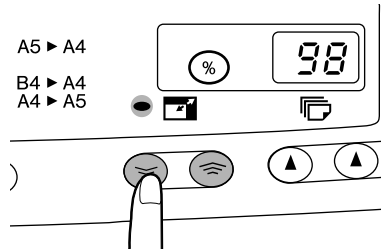
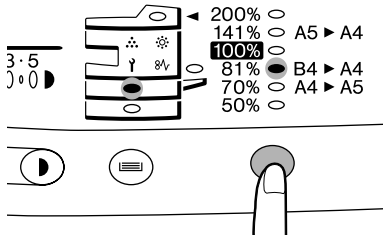
### To select a zoom ratio:

When a zoom (⊖ or ⊕) key is pressed, the ZOOM (📐) indicator will light up and the zoom ratio will be displayed in the display.



Note

To decrease or increase the zoom ratio rapidly, press and hold down the ⊖ or ⊕ key. However, the value will stop at the preset reduction or enlargement ratios. To move beyond these ratios, release the key and then press and hold it down again.



3

Set the number of copies using the copy quantity (▲, ▲) keys and press the print (🖨️) key.

## BYPASS FEED (including special paper)

The bypass tray automatically feeds up to 50 sheets of standard copy paper and also feeds special papers such as transparency film and labels one sheet at a time. Copy paper measuring from A6 to A4 (3-1/2" x 5-1/2" to 8-1/2" x 14") and in the weight range of 52 to 130 g/m<sup>2</sup> (14 to 34.5 lbs.) can be used in this tray. (For paper weighing from 52 to 130 g/m<sup>2</sup> (28 to 34.5 lbs.), A4 (8-1/2" x 11") is the maximum size.)

1

Place the original face down on the original table. Align it with the original scale and close the original cover.

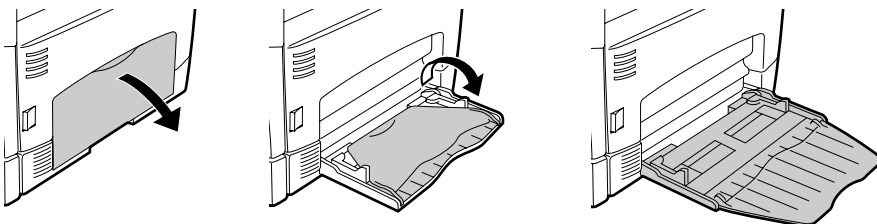


Note

The original image must be smaller than the paper or media for copying. If the original image is bigger than the paper or media, this may cause smudges on the edges of the copies.

2

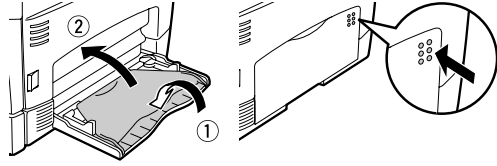
Open the bypass tray and extend the tray.





Note

To close the bypass tray, perform step 1 and then step 2 in the illustration and push the round projections at the right of the tray until the tray clicks into place.



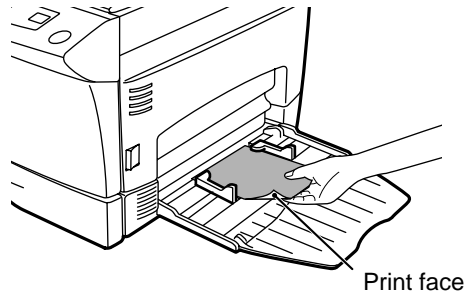
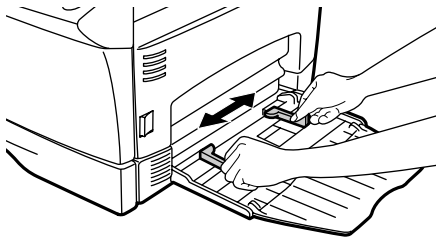
**3**

Set the paper guides to the copy paper width. Insert the copy paper (print face down) all the way into the bypass tray.



Note

- Paper must be fed narrow side into the feed slot.
- Transparency film, labels, and other special purpose papers must be fed individually.
- When copying onto transparency film, remove each copy promptly. Do not let copies stack up.
- When loading an envelope, make sure that it is straight and flat.



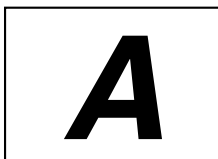
**4**

Press the tray select (⊞) key to select the bypass tray. Set the number of copies if using standard copy paper. Press the print (⊞) key.

## TWO-SIDED COPYING

Two-sided copying can be made on this copier using the bypass tray.

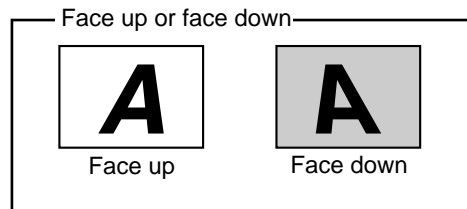
Example: The following two originals will be copied onto two sides of copy paper.



First original

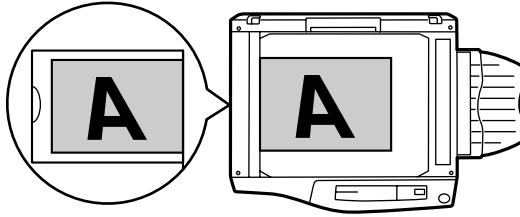


Second original



## TWO-SIDED COPYING

- 1 Place the first original on the original table and make a copy. The first copy can be made using either the paper tray or the bypass tray.

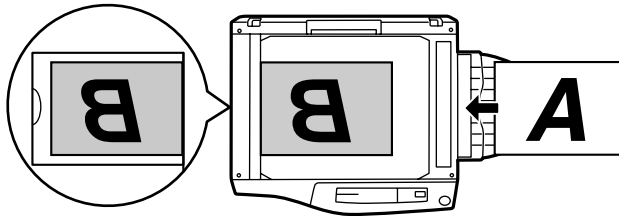


- 2 Replace the first original with the second original on the original table and close the original cover. Make sure that the first and second originals are oriented in the same way on the original table.
- 3 For tablet binding, turn the first copy over left to right as shown below. For booklet binding, turn the first copy over top to bottom (not shown). Feed the first copy into the bypass tray.
- 4 Press the tray select (☰) key to select the bypass tray and press the print (⏏) key.



Note

Be sure to feed the copy paper one sheet at a time.



# 3

# SPECIAL FUNCTIONS

This chapter describes the special functions of this copier. Use these functions as needed.

## DESCRIPTION OF SPECIAL FUNCTIONS

### Toner save mode

Reduces toner consumption by approximately 10%.

### Power save modes (page 20)

The copier has two power save modes of operation: preheat mode and auto power shut-off mode.

- **Preheat mode**

When the copier enters the preheat mode, the power save (Ⓢ) indicator will light up and other indicators will remain on or off as before. In this condition, the fuser in the copier is maintained at a lower heat level, thereby saving power. To copy from the preheat mode, make desired copier selections and press the print (Ⓞ) key using the normal copying procedure.

- **Auto power shut-off mode**

When the copier enters the auto power shut-off mode, the power save (Ⓢ) indicator will light up and other indicators will go out. The auto power shut-off mode saves more power than the preheat mode but requires a longer time before starting copying. To copy from the auto power shut-off mode, press the print (Ⓞ) key. Then make desired copier selections and press the print (Ⓞ) key using the normal copying procedure.

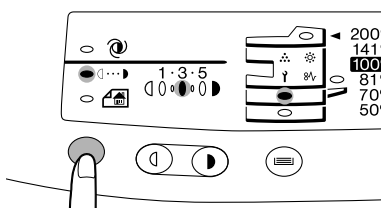
### Auto clear (page 20)

The copier returns to the initial settings a preset amount of time after the last copy is made. This preset amount of time (auto clear time) can be changed.

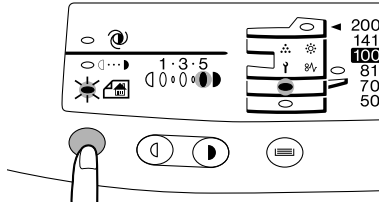
## TONER SAVE MODE

1

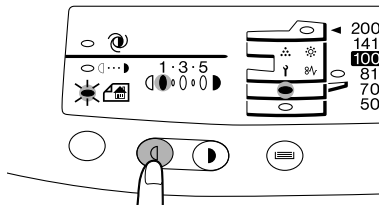
Press the exposure mode selector key to select the MANUAL (◀...▶) mode.



- 2 Press and hold down the exposure mode selector key for approximately 5 seconds. The MANUAL (☐⋯☐) indicator will go out and the PHOTO (📷) indicator will begin to blink. The exposure indicator marked “5” will light up, indicating the standard toner mode is active.



- 3 To enter the toner save mode, press the light (☐) key. The exposure indicator marked “1” will light up, indicating the toner save mode is selected.



- 4 Press the exposure mode selector key twice. The PHOTO (📷) indicator will stop blinking and the AUTO (Ⓜ) indicator will light up steadily. The toner save mode is now active.



Note



To return to the standard mode, repeat the procedure but use the dark (☐) key to select exposure level “5” in step 3.

## USER PROGRAMS (power save modes, auto clear time, stream feeding mode)

The user programs allow the parameters of certain functions to be set, changed, or canceled as desired.


### Setting the power save modes and auto clear time

- 1 Press and hold down the light (☐) and dark (☐) keys simultaneously for more than 5 seconds until all the alarm indicators (⊙, Ⓜ, ⚡, and 📷) blink and “— —” appears in the display.
- 2 Use the left copy quantity (⬆) key to select a user program number (1: auto clear time, 2: preheat mode, 3: auto power shut-off timer, 4: stream feeding mode, 5: auto power shut-off mode). The selected number will blink in the left side of the display.

- 3** Press the print () key. The entered program number will be steadily lit and the currently selected parameter number for the program will blink on the right side of the display.
- 4** Select the desired parameter using the right copy quantity () key. The entered parameter number will blink on the right of the display.


Program No.	Mode	Parameters					
1	Auto clear time	0 ⇨ OFF	1 ⇨ 30 sec.	* 2 ⇨ 60 sec.	3 ⇨ 90 sec.	4 ⇨ 120 sec.	5 ⇨ 10 sec.
2	Preheat mode	0 ⇨ 30 sec.	1 ⇨ 60 sec.	* 2 ⇨ 90 sec.			
3	Auto power shut-off timer	0 ⇨ 2 min.	* 1 ⇨ 5 min.	2 ⇨ 15 min.	3 ⇨ 30 min.	4 ⇨ 60 min.	5 ⇨ 120 min.
4	Stream feeding mode	0 ⇨ OFF	* 1 ⇨ ON				
5	Auto power shut-off mode	0 ⇨ OFF	* 1 ⇨ ON				

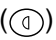

Factory default settings are indicated with an asterisk (\*).

- 5** Press the print () key. The right-hand number in the display will be steadily lit and the entered value will be stored.





Note

To change the setting or to set another mode, press the clear () key. The copier will return to step 2.

- 6** Press the light () or dark () key to return to the normal copy mode.

## DISPLAYING TOTAL NUMBER OF COPIES

Use the following procedure to display the total number of copies.

- 1** Press the clear () key to reset the display to one.
- 2** Press and hold down the clear () key for approximately 5 seconds. The total number of copies will appear in two steps, each with three digits.  
Example: Total number of copies is 1,234.

 ⇨ 

# 4

## SUPPLIES AND USER MAINTENANCE

This chapter describes how to replace the toner cartridge.



Caution

Be sure to use only genuine TOSHIBA parts and supplies.

### TONER CARTRIDGE REPLACEMENT

When the toner cartridge replacement required (∴) indicator lights up, replacement of the toner cartridge will be needed soon. Obtain a new cartridge. When the toner cartridge replacement required (∴) indicator blinks, the toner cartridge must be replaced before copying can be resumed. Replace the toner cartridge by following the procedure below.

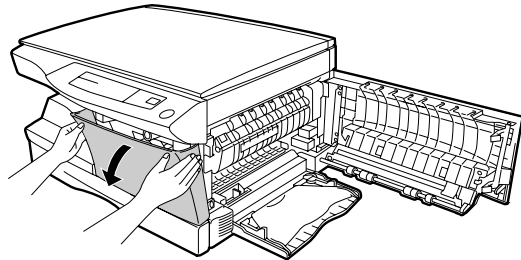
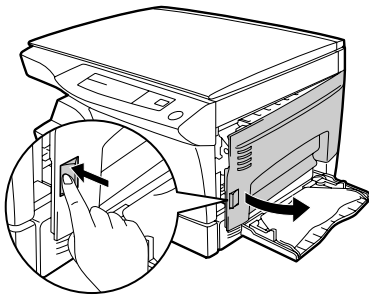


Note

During a long copy run of a dark original, the ready (⊙) indicator may blink, the ∴ indicator light up, and the copier stop, even though toner is left. The copier will feed toner up to 2 minutes and then the ready (⊙) indicator will light up. Press the print (⊙) key to restart copying.

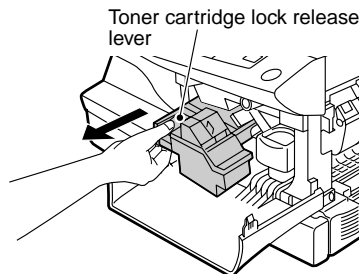
1

Ensure that the bypass tray is open and then open the side cover while pressing the side cover open button. Then, push gently on both sides of the front cover and open it.



2

Push the toner cartridge lock release lever and pull the toner cartridge out. Dispose of the old toner cartridge in accordance with local regulations.



Note

After removing the toner cartridge, do not shake it or tap on it. Doing so may cause toner to leak from the cartridge. Put the old cartridge immediately in the bag contained in the box of the new cartridge.

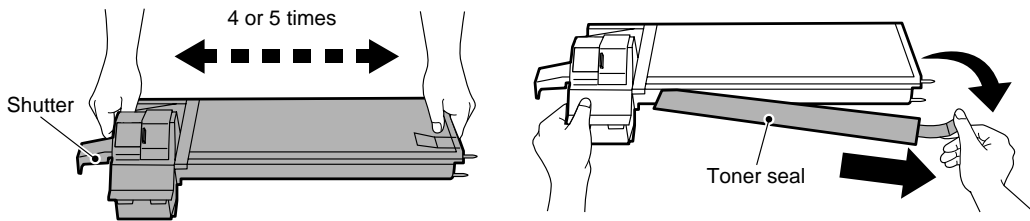


- Remove the toner cartridge from the bag. Grasp the cartridge on both sides and shake it horizontally four or five times. After shaking the cartridge, remove the toner seal.

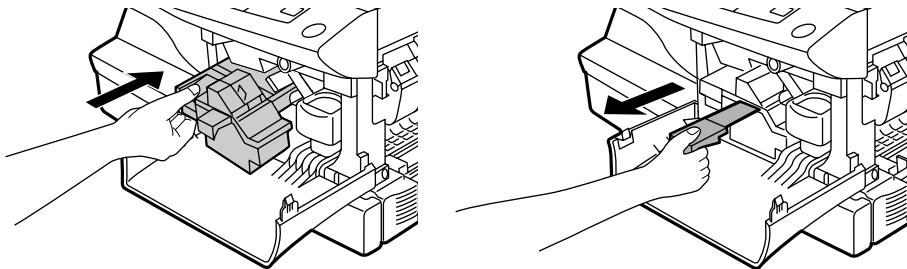


Note

Grasp the toner cartridge as shown in the illustration. Do not hold the cartridge by the shutter. Be sure to only shake the cartridge before the toner seal is removed.



- Gently insert the toner cartridge along the guides until it locks in place while pushing the lock release lever. Remove the tape from the shutter. Pull the shutter out of the toner cartridge as shown in the illustration. Discard the shutter.



- Close the front cover and then the side cover by pressing the round projections near the side cover open button. The  $\therefore$  indicator will go out and the ready ( $\odot$ ) indicator will light up.



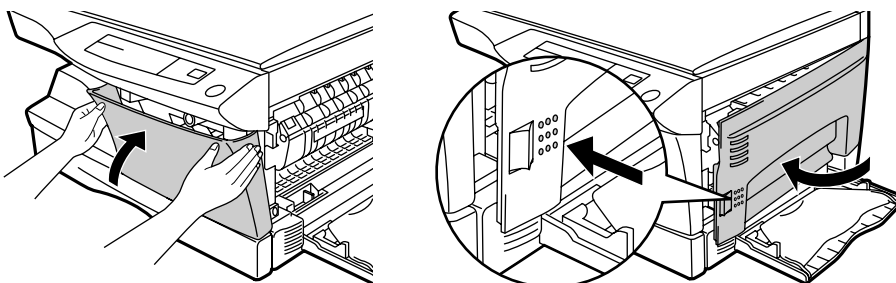
Caution

When closing the covers, be sure to close the front cover securely and then close the side cover. If the covers are closed in the wrong order, the covers may be damaged.



Note

Even after a new toner cartridge is installed, the ready ( $\odot$ ) indicator may not light up, indicating copying cannot be restarted (toner is not sufficiently fed). In this case, open and close the side cover. The copier will feed toner again approximately 2 minutes and then copying can be restarted.



## USER MAINTENANCE

Proper care is essential in order to get clean, sharp copies. Be sure to take a few minutes to regularly clean the copier.



Before cleaning, be sure to turn the power switch off and remove the power cord from the outlet.



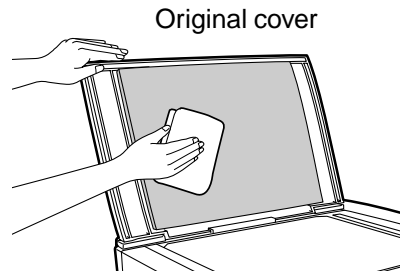
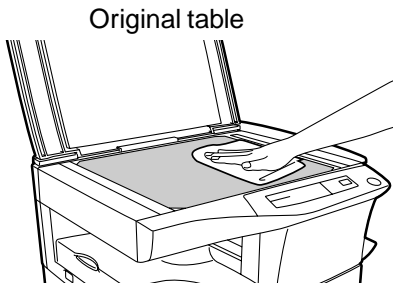
Do not use thinner, benzene or other volatile cleaning agents. Doing so may cause deformation, discoloration, deterioration or malfunction.

### Cabinet

Wipe the cabinet with a soft, clean cloth.

### Original table and original cover


Stains on the glass or cover will also be copied. Wipe the glass and the cover with a soft, clean cloth. If necessary, dampen the cloth with a glass cleaner.



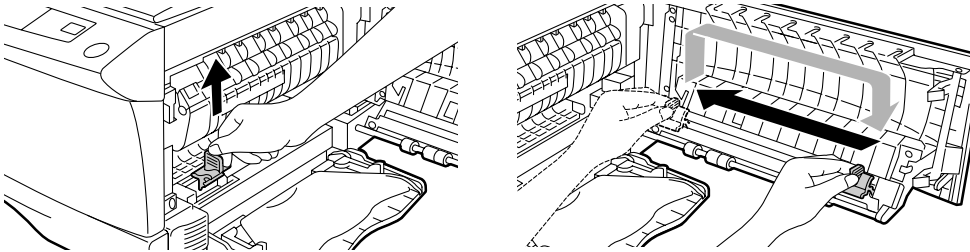
## Transfer charger

If copies start becoming streaky or blotchy, the transfer charger may be dirty. Clean the charger using the following procedure.

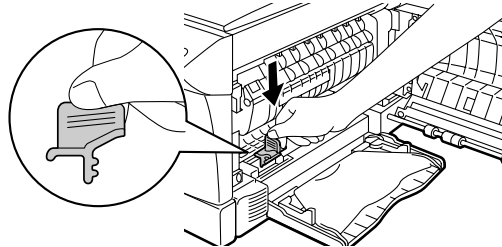
- 1** Turn the power switch off.
- 2** Ensure that the bypass tray is open and then open the side cover while pressing the side cover open button.
- 3** Take the charger cleaner out by holding the tab. Set the charger cleaner onto the right end of transfer charger, gently slide the cleaner to the left end, and then remove it. Repeat this operation two or three times.



**Caution** Slide the charger cleaner from the right end to the left end along the groove of the transfer charger. If the cleaner is stopped on the way, smudges on copies may occur.



- 4** Return the charger cleaner to its original position. Close the side cover by pressing the round projections near the side cover open button.

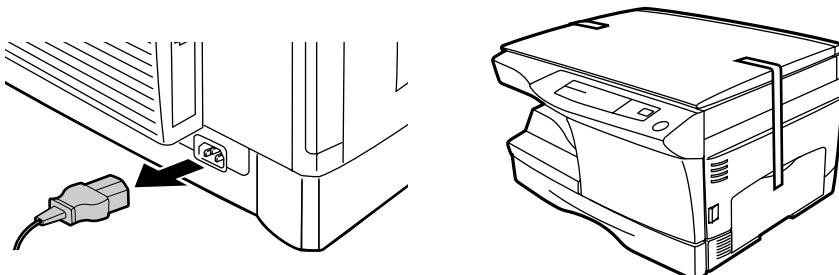


- 5** Turn the power switch on.

## When copier is not in use

To prevent entry of dust and foreign matter, store the copier as follows.

- 1** Remove the power cord and secure the copier using tape (two locations).



# 5

# COPIER TROUBLE?

This chapter describes misfeed removal and troubleshooting.

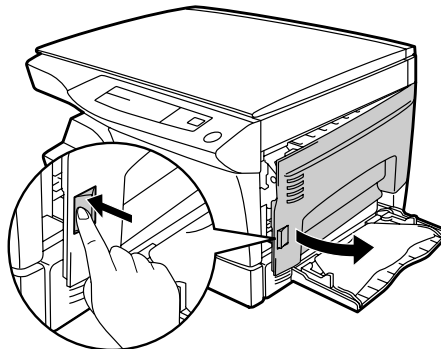
## MISFEED REMOVAL

When the misfeed (⚠) indicator blinks or **P** blinks in the display, the copier will stop because of a misfeed.

If a misfeed occurs when using the ADF, a number may appear in the display after a minus sign. This indicates the number of the originals that must be returned to the document feeder tray after a misfeed. Return the required number of originals. Then this number will disappear when copying is resumed or the clear (Ⓢ) key is pressed.

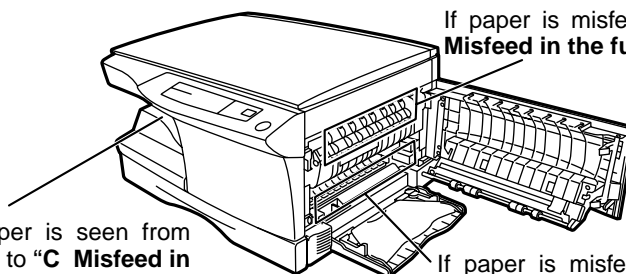
When the ADF misfeeds an original sheet, the copier will stop and the ADF misfeed (⬅) indicator will blink, while the misfeed (⚠) indicator will remain off. For a misfeed of originals in the ADF, see page 38.

- 1 Ensure that the bypass tray is open and then open the side cover while pressing the side cover open button.



- 2 Check the misfeed location. Remove the misfed paper following the instructions for each location in the illustration below.

If **P** blinks in the display, proceed to “**A Misfeed in the paper feed area**”. (p. 27)





If paper is misfed here, proceed to “**B Misfeed in the fusing area**”. (p. 27)


If the misfed paper is seen from this side, proceed to “**C Misfeed in the transport area**”. (p. 28)

If paper is misfed here, proceed to “**A Misfeed in the paper feed area**”. (p. 27)

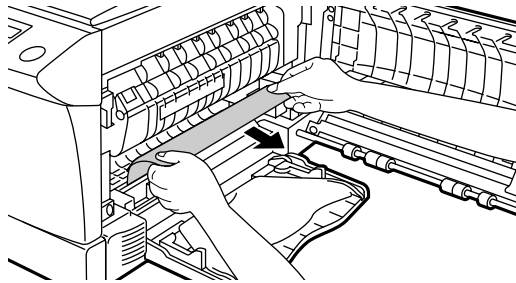
## A Misfeed in the paper feed area

- 1 Gently remove the misfed paper from the paper feed area as shown in the illustration. When  blinks in the display and the misfed paper is not seen from the paper feed area, pull out the paper tray and remove the misfed paper. If the paper cannot be removed, proceed to “B Misfeed in the fusing area”.

 **Warning** The fusing unit is hot. Do not touch the fusing unit when removing misfed paper. Doing so may cause a burn or other injury.

 **Caution**


- Do not touch the photoconductive drum (green portion) when removing the misfed paper. Doing so may damage the drum and cause smudges on copies.
- If the paper has been fed through the bypass tray, do not remove the misfed paper through the bypass tray. Toner on the paper may stain the paper transport area, resulting in smudges on copies.

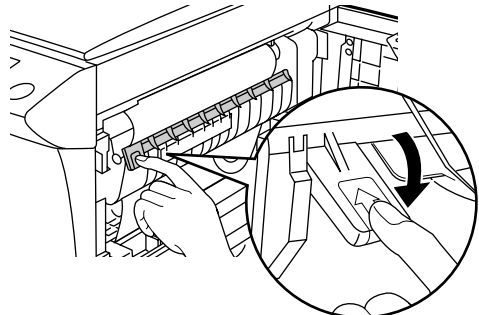
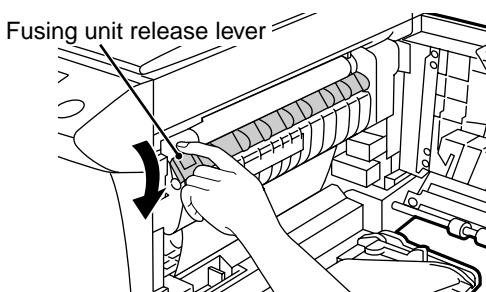


- 2 Close the side cover by pressing the round projections near the side cover open button. The misfeed (⚠) indicator will go out and the ready (Ⓢ) indicator will light up.

## B Misfeed in the fusing area

- 1 Lower the fusing unit release lever by rotating it all the way as shown in the illustration.

 **Note** While you are lowering the fusing unit release lever, it will not move smoothly at a location on the way. However, be sure to lower the lever by rotating it all the way to the location where it will not rotate as shown in the right illustration.



## MISFEED REMOVAL

- 2** Gently remove the misfed paper from under the fusing unit as shown in the illustration. If the paper cannot be removed, proceed to “**C Misfeed in the transport area**”.



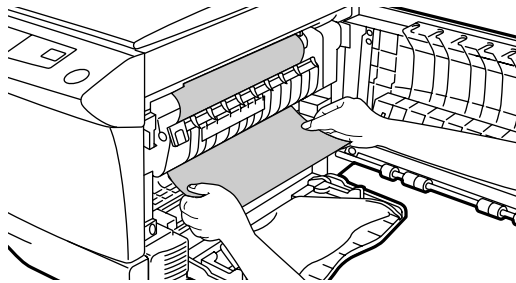
Warning

The fusing unit is hot. Do not touch the fusing unit when removing misfed paper. Doing so may cause a burn or other injury.



Caution

- Do not touch the photoconductive drum (green portion) when removing the misfed paper. Doing so may damage the drum and cause smudges on copies.
- Do not remove the misfed paper from above the fusing unit. Unfixed toner on the paper may stain the paper transport area, resulting in smudges on copies.



- 3** Raise the fusing unit release lever and then close the side cover by pressing the round projections near the side cover open button. The misfeed (⊗) indicator will go out and the ready (⊙) indicator will light up.

### C Misfeed in the transport area

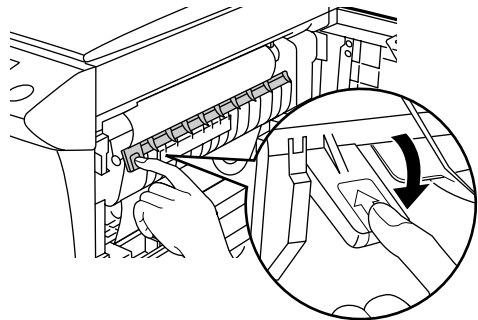
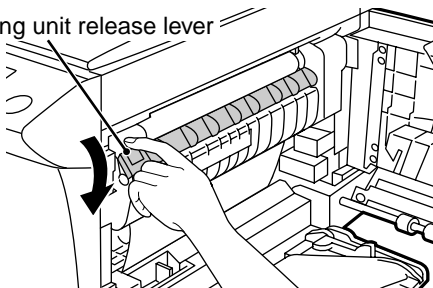
- 1** Lower the fusing unit release lever by rotating it all the way as shown in the illustration.



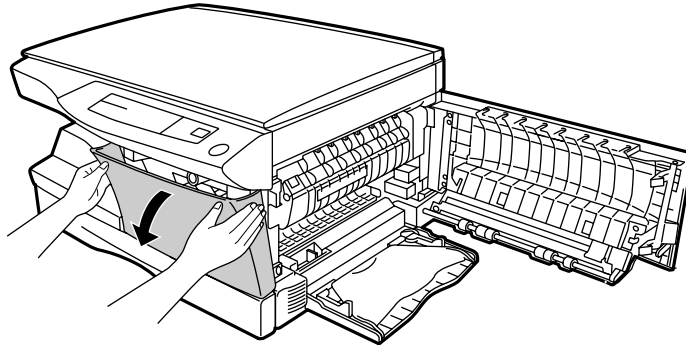
Note

While you are lowering the fusing unit release lever, it will not move smoothly at a location on the way. However, be sure to lower the lever by rotating it all the way to the location where it will not rotate as shown in the right illustration.

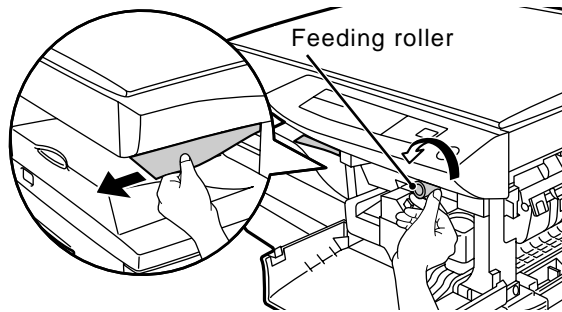
Fusing unit release lever



- 2** Push gently on both sides of the front cover and open it.



- 3** Rotate the feeding roller in the direction of the arrow and gently remove the misfed paper from the exit area.



- 4** Raise the fusing unit release lever, close the front cover and then close the side cover by pressing the round projections near the side cover open button. The misfeed (⚠) indicator will go out and the ready (Ⓜ) indicator will light up.



Caution

When closing the covers, be sure to close the front cover securely and then close the side cover. If the covers are closed in the wrong order, the covers may be damaged.

## DEVELOPER REQUIRED

When the ⚠ indicator lights up, the developer should be replaced. DEVELOPER REPLACEMENT SHOULD ONLY BE DONE BY AN AUTHORIZED TOSHIBA SERVICE TECHNICIAN. Contact your service centre as soon as possible.

## MAINTENANCE REQUIRED

When ⚠ indicator lights up, service by an authorised TOSHIBA service technician is required. Contact your service centre as soon as possible.

# TROUBLESHOOTING

If any problem occurs, check the list below before contacting the TOSHIBA service centre.



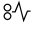






Problem	Possible cause	Solution	See page:
Copier does not operate.	Copier plugged in?	Plug the copier into a grounded outlet.	-
	Power switch on?	Turn the power switch on.	12
	Side cover closed securely?	Gently close the side cover.	-
	Front cover closed?	Gently close the front cover and then close the side cover.	-
Blank copies	Is the original placed face down on the original table?	Place the original face down on the original table.	13
Power save (⏻) indicator on.	Is the copier in the preheat mode?	Press any key to cancel the preheat mode.	19
	Is the copier in the auto power shut-off mode?	Press the print (Ⓜ) key to cancel the auto power shut-off mode.	19
Copies are too dark or too light.	Is original image too dark or too light?	Adjust the exposure manually.	15
	Is the copier in the automatic exposure mode?	Adjust the automatic exposure level.	32
	Is the copier in the photo exposure mode?	Cancel the photo exposure mode.	15
Dust, dirt, smudges appear on copies.	Original table or original cover dirty?	Clean regularly.	24
	Original smudged or blotchy?	Use a clean original.	-
Striped copies	Is transfer charger clean?	Clean the transfer charger.	25
Paper misfeeds frequently.	Non-standard paper used?	Use standard paper. If using special papers, feed the paper through the bypass tray.	34
	Paper curled or damp?	Store copy paper flat in the wrapper in a dry location.	-
	Pieces of paper inside copier?	Remove all pieces of misfed paper.	26
	Paper guides in the paper tray not set properly?	Set the guides properly depending on the paper size.	10
	Too much paper in the paper tray or bypass tray?	Remove excessive paper from the tray.	10
Images rub off the copy easily.	Is the copy paper too heavy?	Use copy paper within the specified range.	34
	Paper damp?	Replace with dry copy paper. If the copier is not used for a long time, remove the paper from the paper tray and store it in its wrapper in a dry location.	35



# STATUS INDICATORS

When the following indicators light up or blink on the operation panel or the following alphanumeric codes appear in the display, solve the problem immediately referring to both the table below and the relevant page.

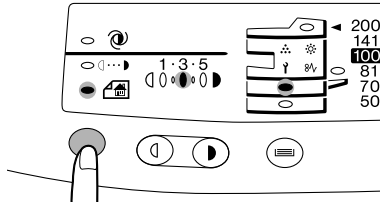
 Caution	Be sure to use only genuine TOSHIBA parts and supplies.
--	---

Indication		Cause and remedy		See page:
	Developer replacement required indicator	Steadily lit	Developer is required. Contact your TOSHIBA service centre as soon as possible.	29
	Toner cartridge replacement required indicator	Steadily lit	Replacement of toner cartridge will be needed soon. Obtain a new cartridge.	22
		Blinking	Toner cartridge must be replaced. Replace it with a new one.	22
	Misfeed indicator	Blinking	A misfeed has occurred. Remove the misfed paper referring to the description of "Misfeed removal."	26
	Maintenance indicator	Steadily lit	Service by an authorised TOSHIBA service technician is required.	29
	ADF misfeed indicator	Blinking	An original misfeed has occurred in the ADF. Remove the misfed originals referring to the description of "Misfeed in the ADF".	38
	The paper tray indicator is blinking.		The paper tray is not installed properly. Push the tray into the copier securely.	–
	"CH" is blinking in the display.		A toner cartridge is not installed. Install a toner cartridge. If "CH" is blinking even if a cartridge is installed properly, contact your TOSHIBA service centre immediately.	22
	"CH" is steadily lit in the display.		Side cover is open. Close the side cover securely by pressing the round projections near the side cover open button.	–
	"P" is blinking in the display.		Paper tray or bypass tray is empty. Load copy paper.	10
			A misfeed has occurred in the paper tray or bypass tray. Remove the misfed paper.	26
	A letter and a number appear alternately.		The copier will not function. Turn the power switch off, remove the power cord from the outlet, and contact your TOSHIBA service centre.	–

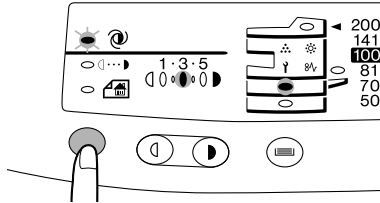
# AUTOMATIC EXPOSURE ADJUSTMENT

The automatic exposure level can be adjusted to suit your copying needs.

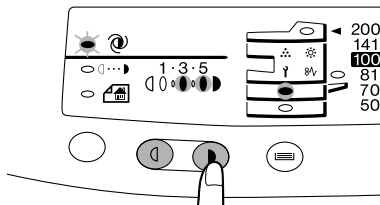
- 1 Press the exposure mode selector key to select the PHOTO (📷) mode.



- 2 Press and hold down the exposure mode selector key for approximately 5 seconds. The PHOTO (📷) indicator will go out and the AUTO (🌀) indicator will begin to blink. One or two exposure indicators corresponding to the automatic exposure level which has been selected will light up.



- 3 Press the light (⊖) or dark (⊕) key to lighten or darken the automatic exposure level as desired. If exposure level 2 is selected, the two left-handmost indicators for that level will light up simultaneously. Also, if level 4 is selected, the two right-handmost indicators for that level will light up simultaneously.



- 4 Press the exposure selector key. The AUTO (🌀) indicator will stop blinking and light up steadily.



Note

This automatic exposure level will remain in effect until you change it again by this procedure.

# 6

# APPENDIX

## SPECIFICATIONS

Type	Digital laser copier, desk-top type
Copy system	Dry, electrostatic transfer
Originals	Sheets, bound documents
Original size	Max. B4 (257 mm x 364 mm) (10" x 14")
Copy sizes	A6 to A4 (105 mm x 148.5 mm to 210 mm x 297 mm) (3-1/2" x 5-1/2" to 8-1/2" x 14") (Feed copy paper lengthwise only.) Image loss: Max. 4 mm (5/32") (leading and trailing edges) Max. 4.5 mm (11/64") (either of the other edges)
Copy speed	e-STUDIO12: 12 copies/min. e-STUDIO15: 15 copies/min.
Continuous copying	Max. 99 copies; subtractive counter
First-copy time (Approximately)	9.6 s (normal copying mode)
Copy ratio	Variable: 50% to 200% in 1% increments (total 151 steps) Fixed: 50%, 70%, 81%, 100%, 141%, 200% (50%, 64%, 78%, 100%, 129%, 200%)
Exposure system	Moving optical source, slit exposure (stationary platen) with automatic exposure
Copy paper feed	One paper tray with automatic feed (250 sheets); one bypass tray with 50-sheet automatic feed capability
Fusing system	Heat rollers
Development system	Magnetic brush development
Light source	Xenon lamp
Resolution	Scan: 400 dpi Output: 600 dpi
Memory	e-STUDIO12: 4MB e-STUDIO15: 6MB
Power supply	240V +6%, -10% in 240V power supply regions or local voltage ±10% in other regions (For this copier's power supply requirements, see the name plate located on the back of the unit.)
Power consumption	1,000 W
Overall dimensions	809 mm (W) x 483 mm (D) (31.9" (W) x 19" (D))
Weight	Approx. 20 kg (44.1 lbs.), toner cartridge included
Copier dimensions	518 mm (W) x 483 mm (D) x 293 mm (H) (20.4" (W) x 19" (D) x 11.5" (H))
Operating conditions	Temperature: 10°C to 30°C (50°F to 86°F) Humidity: 20% to 85%

## SPECIFICATIONS

Noise level	Sound Power Level $L_{WA}$ Copying: 66 [dB (A)], Standby: Background noise level Sound Pressure Level $L_{PA}$ (bystander positions) Copying: 40 [dB (A)], Standby: Background noise level Noise emission measurement in accordance with ISO 7779.
Optional equipment for e-STUDIO15	Auto document feeder (MR-2013) 250-sheet paper feed unit (MY-1019) Faxmile expansion kit (GD-1100) Print kit (GDI)(GA-1090) Print kit (PCL)(GA-1100)

- First-copy time may differ depending on operating conditions, such as power-supply voltage and room temperature.
- Some options may not be available in some countries.



Note

As a part of our policy of continuous improvement, TOSHIBA reserves the right to make design and specification changes for product improvement without prior notice. The performance specification figures indicated are nominal values of production units. There may be some deviations from these values in individual units.

## SUPPLIES

### Types and sizes of copy paper

For best results, use only paper recommended by TOSHIBA.

Type of paper feeding	Type of media	Size	Weight
Paper tray	Standard paper	A5 (148.5 mm x 210 mm) A4 (210 mm x 297 mm) B5 (182 mm x 257 mm) Letter (8-1/2" x 11") Legal (8-1/2" x 14") Invoice (5-1/2" x 8-1/2")	56 to 80 g/m <sup>2</sup> (15 lbs. to 21 lbs.)
Bypass tray	Standard paper and thick paper	A6 (105 mm x 148.5 mm) A5 (148.5 mm x 210 mm) A4 (210 mm x 297 mm) B5 (182 mm x 257 mm) Letter (8-1/2" x 11") Legal (8-1/2" x 14") Invoice (5-1/2" x 8-1/2")	52 to 130 g/m <sup>2</sup> (14 lbs. to 34.5 lbs.)**
	Special media	Transparency film	A4 (210 mm x 297 mm) Letter (8-1/2" x 11")
	Envelope*	International DL (110 mm x 220 mm) International C5 (162 mm x 229 mm) Commercial 10 (4-1/8" x 9-1/2") Monarch (3-7/8" x 7-1/2")	

- \* Do not use envelopes that have metal clasps, plastic snappers, string closures, windows, linings, self-adhesive, patches or synthetic materials. These will cause physical damage to the copier.
- \*\* For paper weighing from 104 to 130 g/m<sup>2</sup> (28 to 34.5 lbs.), A4 (8-1/2" x 11") is the maximum size that can be fed through the bypass tray.
- Special papers such as transparency film and labels must be fed one sheet at a time through the bypass tray.



Caution

Be sure to use only genuine TOSHIBA parts and supplies.

For best copying results, be sure to use only TOSHIBA Genuine Supplies which are designed, engineered, and tested to maximize the life and performance of TOSHIBA copiers. Look for the Genuine Supplies label on the toner package.

### Proper storage

1. Store the supplies in a location that is:
  - clean and dry,
  - at a stable temperature,
  - not exposed to direct sunlight.
2. Store copy paper in the wrapper and lying flat.
  - Paper stored out of the wrapper or in packages standing on end may curl or get damp, resulting in paper misfeeds.

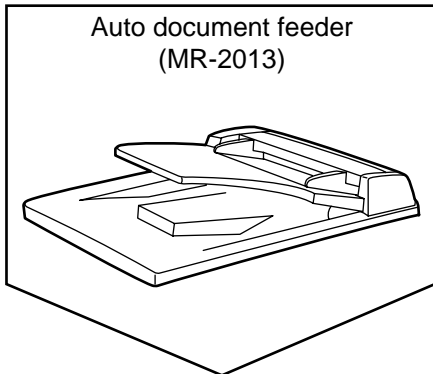
# 7

# OPTIONAL EQUIPMENT

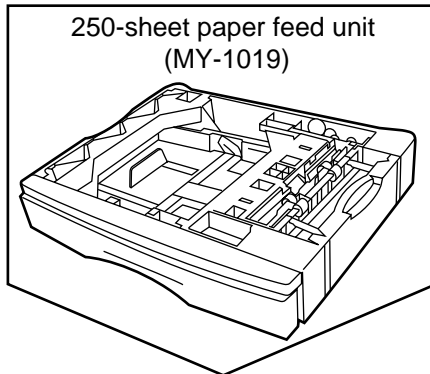
## SYSTEM CONFIGURATION

A number of options are available for the copier which allow you to configure a copier system to meet your particular needs. The options include the following.

Auto document feeder  
(MR-2013)



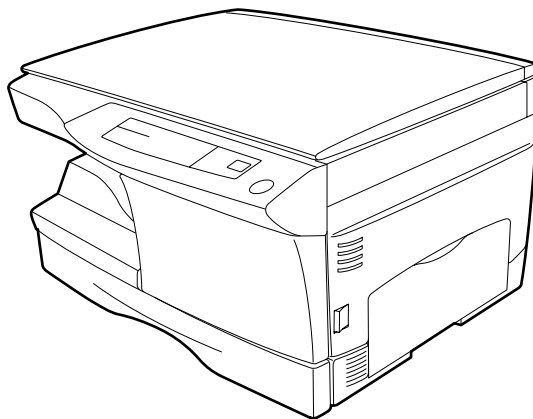
250-sheet paper feed unit  
(MY-1019)



Facsimile expansion kit (GD-1100)  
Print kit (GDI) (GA-1090)\*  
Print kit (PCL) (GA-1100)\*

\* These options are not used for the copier operation. For description of these options, see their separate manuals.

- Some options may not be available in some countries.



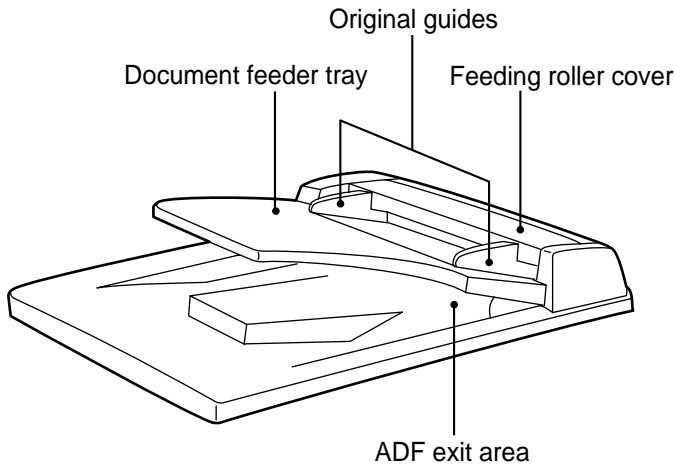
Note

The following options cannot be used together (exclusive combinations).  
Auto document feeder (MR-2013) and facsimile expansion kit (GD-1100)  
Print kit (PCL) (GA-1100) and facsimile expansion kit (GD-1100)  
Print kit (GDI) (GA-1090) and Print kit (PCL) (GA-1100)

# AUTO DOCUMENT FEEDER (MR-2013)

The auto document feeder (ADF) holds up to 30 originals for automatic feeding.

## Part names



## Specifications

Acceptable originals	Weight: 52 to 90 g/m <sup>2</sup> (14 to 23 lbs.) Size: A5 to B4 (5-1/2" x 8-1/2" to 8-1/2" x 14") Capacity: Up to 30 sheets
Power supply	Drawn from the copier
Weight	Approx. 3 kg (6.6 lbs.)
Dimensions	498 mm (W) x 380 mm (D) x 110 mm (H) (19.6" (W) x 15" (D) x 4.3" (H))



Note

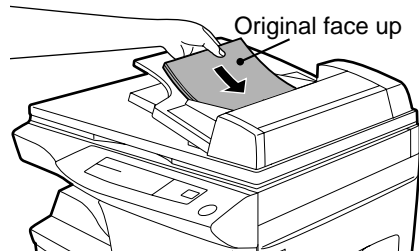
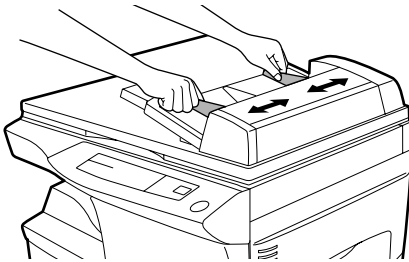
As a part of our policy of continuous improvement, TOSHIBA reserves the right to make design and specification changes for product improvement without prior notice. The performance specification figures indicated are nominal values of production units. There may be some deviations from these values in individual units.

## Using the ADF

- (1) Make sure that no original is left on the original table.
- (2) Adjust the original guides to the size of originals.
- (3) Set the originals face up in the document feeder tray.



- Before feeding originals in the document feeder tray, be sure to remove any staples or paper clips from them.
- Before placing curled or wavy originals into the document feeding tray, be sure to flatten them. If not, original misfeeds may result.
- The ADF (⊖) indicator on the operation panel will light up. If this indicator does not light up, the originals are not properly set or the ADF is not properly closed.
- Badly damaged originals may misfeed in the ADF. It is recommended that such originals be copied from the original table.
- Special originals such as transparency film should not be fed through the ADF, but should be placed directly on the original table.



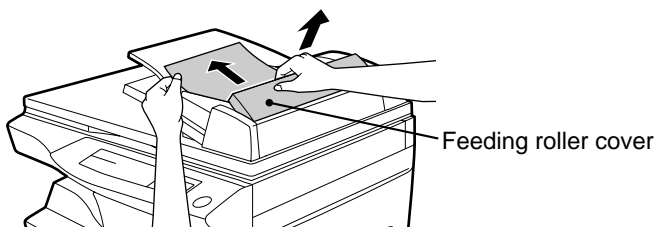
### Stream feeding mode

The stream feeding mode allows easy operation of continuous copying from the ADF. If the stream feeding mode has been enabled using user program No.4, the ADF (⊖) indicator will blink approximately 5 seconds after the last original has been fed by the ADF. While this indicator is blinking, any new originals placed in the document feeder tray will be fed and copied automatically. If the stream feeding mode has been disabled, the print (Ⓞ) key must be pressed each time the originals are set even immediately after completion of a copy run from the ADF. The default setting of the stream feeding mode is "ON". See page 20, **USER PROGRAMS**.

### Misfeed in the ADF

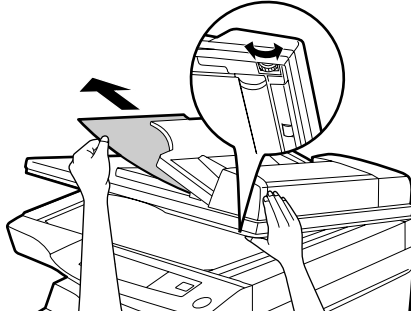
An original misfeed may occur at one of three locations: if the misfed original is seen from the document feeder tray, (A) in the document feeder tray; if the misfed original is not seen from the document feeder tray, (B) in the exit area or (C) under the feeding roller. Remove the misfed original following the instructions for each location.

- (A) Open the feeding roller cover and pull the original gently to the left and out from the document feeder tray. Close the feeding roller cover. Open and close the original cover to clear the ADF misfeed (◀) indicator. If the misfed original cannot be easily removed, proceed to (C) without pulling the original forcibly from the document feeder tray.

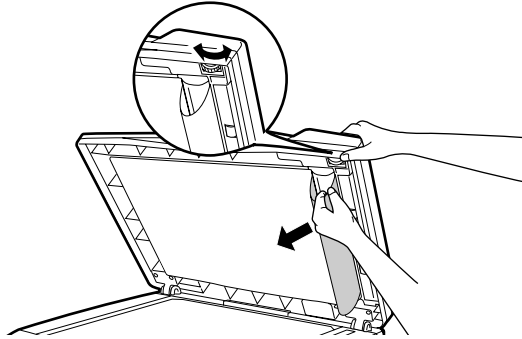




- (B) Open the original cover and rotate the roller rotating knob to remove the misfed original from the exit area.  
If the misfed original cannot be easily removed, proceed to (C).



- (C) If the original does not move easily into the ADF exit area, remove it in the direction of the arrow while rotating the knob.



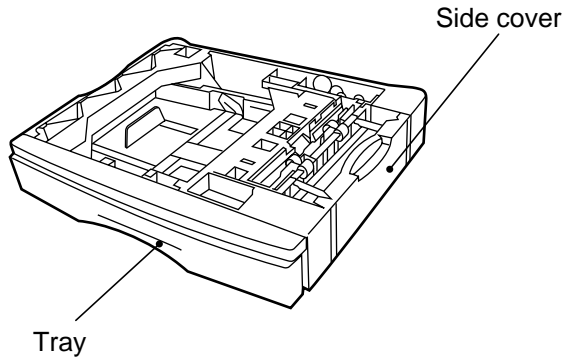
Note

A number may appear in the display after a minus sign, indicating the number of the originals that must be returned to the document feeder tray. Clear the misfeed and return the required number of originals. Then press the print (Ⓞ) key to resume copying.

# 250-SHEET PAPER FEED UNIT (MY-1019)

The paper feed unit (PFU) provides the convenience of increased paper capacity for the copier and a greater choice of paper sizes readily available for copying.

## Part names



## Loading copy paper

The method of loading copy paper for the paper tray of the paper feed unit (PFU) is the same as for the paper tray in the copier. See page 10.

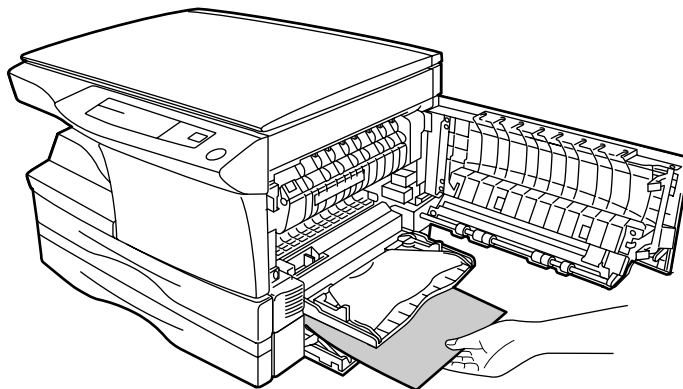
The method of changing the copy paper size is also the same for the paper tray in the copier. See page 10.

## Misfeed removal

The copier will stop when a misfeed occurs. The misfeed (⌘) indicator blinks or **P** blinks in the display.

1

Open the lower side cover (under the bypass tray) and remove the misfed paper. If **P** blinks and the misfed paper is not seen from the area of the lower side cover, pull out the lower paper tray and remove the misfed paper. Then close the lower paper tray.



- 2 Close the lower side cover.
- 3 Close the side cover by pressing the round projections near the side cover open button. The misfeed (⊗) indicator will go out and the ready (⊕) indicator will light up.

## Specifications

Copy paper size	A5 to B4 (5-1/2" x 8-1/2" to 8-1/2" x 14")
Paper weight	56 to 80 g/m <sup>2</sup> (15 lbs. to 21 lbs.)
Paper capacity	One paper tray with capacity for 250 sheets of 80 g/m <sup>2</sup> (21 lb.) bond paper
Weight	Approx. 3 kg (6.6 lbs.)
Dimensions	498 mm (W) x 395 mm (D) x 88 mm (H) (19.6" (W) x 15.6" (D) x 3.5" (H))
Power supply	Drawn from the copier



Note

As a part of our policy of continuous improvement, TOSHIBA reserves the right to make design and specification changes for product improvement without prior notice. The performance specification figures indicated are nominal values of production units. There may be some deviations from these values in individual units.

# INDEX

<b>2</b>		<b>E</b>	
250-sheet paper feed unit (MY-1019)		Enlargement . . . . .	15
– loading copy paper . . . . .	40	Exposure adjustment . . . . .	14
– misfeed removal . . . . .	40		
– part names . . . . .	40	<b>F</b>	
– specifications . . . . .	41	Features . . . . .	5
		Fixed copy ratio . . . . .	16
<b>A</b>		Fusing unit release lever . . . . .	6, 27, 28
Auto clear . . . . .	19, 20		
Auto document feeder (MR-2013)		<b>I</b>	
– misfeed in the ADF . . . . .	38	Installation	
– part names . . . . .	37	– location . . . . .	8
– specifications . . . . .	37		
– using the ADF . . . . .	37	<b>L</b>	
Automatic exposure adjustment . . . . .	32	Light key . . . . .	15
Auto power shut-off mode . . . . .	19, 20	Loading copy paper . . . . .	10
<b>B</b>		<b>M</b>	
Bypass tray . . . . .	16	Maintenance	
		– user maintenance . . . . .	24
<b>C</b>		– maintenance required indicator . . . . .	29
Cautions . . . . .	4	Manual exposure . . . . .	14
Cautions on handling . . . . .	9	Manual feeding . . . . .	16
Charger cleaner . . . . .	25	Misfeed removal	
Copier trouble? . . . . .	26	– fusing area . . . . .	27
Copying		– paper feed area . . . . .	27
– large original . . . . .	14	– transport area . . . . .	28
– normal . . . . .	12		
– reduction/enlargement . . . . .	15	<b>N</b>	
– through bypass tray . . . . .	16	Names	
– two-sided . . . . .	17	– operation panel . . . . .	7
Copy paper . . . . .	34	– part . . . . .	6
Copy quantity . . . . .	13		
Copy ratio . . . . .	15		
<b>D</b>			
Dark key . . . . .	15		
Developer replacement required			
indicator . . . . .	29		

- 
- O**  
ON LINE indicator . . . . . 7  
Operation panel  
– part names . . . . . 7  
Options . . . . . 36  
Original cover . . . . . 6  
Original table . . . . . 6, 13
- P**  
Paper  
– loading . . . . . 10  
– special . . . . . 34  
– specifications . . . . . 34  
Paper feed area . . . . . 27  
Paper output tray . . . . . 6  
Paper output tray extension . . . . . 6, 12  
Paper size . . . . . 34  
Paper transport area . . . . . 28  
Paper tray . . . . . 6  
Part names . . . . . 6  
Photo mode . . . . . 7, 15  
Power on . . . . . 12  
Power save modes . . . . . 19, 20  
Power switch . . . . . 6  
Preheat mode . . . . . 19, 20  
Print key . . . . . 14  
Printer kit (GDI) (GA-1090) . . . . . 34, 36  
Printer kit (PCL) (GA-1100) . . . . . 34, 36
- R**  
Ready indicator . . . . . 7  
Reduction . . . . . 15  
Replacement  
– toner cartridge . . . . . 22
- S**  
Special paper . . . . . 34  
Specifications  
– copier . . . . . 33  
– paper . . . . . 34  
Status indicators . . . . . 31  
Storage of supply . . . . . 35  
Stream feeding mode . . . . . 20, 38
- T**  
Toner cartridge  
– indicator . . . . . 7, 31  
– life . . . . . 24  
– replacement . . . . . 22  
Toner save mode . . . . . 19  
Total number of copies . . . . . 21  
Transfer charger . . . . . 6, 25  
Troubleshooting . . . . . 30  
Two-sided copying . . . . . 17
- U**  
User maintenance  
– cabinet . . . . . 24  
– original cover . . . . . 24  
– original table . . . . . 24  
– transfer charger . . . . . 25
- Z**  
Zoom . . . . . 15

# MEMO

In some areas, the "POWER" switch positions are marked "I" and "O" on the copier instead of "ON" and "OFF".

The symbol "O" denotes the copier is not completely de-energized but in a stand-by condition at this "POWER" switch position.

If your copier is so marked, please read "I" for "ON" and "O" for "OFF".

**Caution!**

**For a complete electrical disconnection, pull out the main plug.**

**The socket-outlet shall be installed near the equipment and shall be easily accessible.**

This equipment complies with the requirements of Directives 89/336/EEC and 73/23/EEC as amended by 93/68/EEC.

Dieses Gerät entspricht den Anforderungen der EG-Richtlinien 89/336/EWG und 73/23/EWG mit Änderung 93/68/EWG.

Ce matériel répond aux exigences contenues dans les directives 89/336/CEE et 73/23/CEE modifiées par la directive 93/68/CEE.

Dit apparaat voldoet aan de eisen van de richtlijnen 89/336/EEG en 73/23/EEG, gewijzigd door 93/68/EEG.

Dette udstyr overholder kravene i direktiv nr. 89/336/EEC og 73/23/EEC med tillæg nr. 93/68/EEC.

Quest' apparecchio è conforme ai requisiti delle direttive 89/336/EEC e 73/23/EEC, come emendata dalla direttiva 93/68/EEC.

Η εγκατάσταση αυτή ανταποκρίνεται στις απαιτήσεις των οδηγιών της Ευρωπαϊκής Ένωσης 89/336/ΕΟΚ και 73/23/ΕΟΚ, όπως οι κανονισμοί αυτοί συμπληρώθηκαν από την οδηγία 93/68/ΕΟΚ.

Este equipamento obedece às exigências das directivas 89/336/CEE e 73/23/CEE, na sua versão corrigida pela directiva 93/68/CEE.

Este aparato satisface las exigencias de las Directivas 89/336/CEE y 73/23/CEE, modificadas por medio de la 93/68/CEE.

Denna utrustning uppfyller kraven enligt riktlinjerna 89/336/EEC och 73/23/EEC så som kompletteras av 93/68/EEC.

Dette produktet oppfyller betingelsene i direktivene 89/336/EEC og 73/23/EEC i endringen 93/68/EEC.

Tämä laite täyttää direktiivien 89/336/EEC ja 73/23/EEC vaatimukset, joita on muutettu direktiivillä 93/68/EEC.

The CE mark logo label is affixed on an equipment in case that the directives described in the above sentence are applicable to the product. (This sentence is not applicable in any country where the above directives are not required.)

**TOSHIBA TEC CORPORATION**

1-1, KANDA NISHIKI-CHO, CHIYODA-KU, TOKYO, 101-8442, JAPAN