

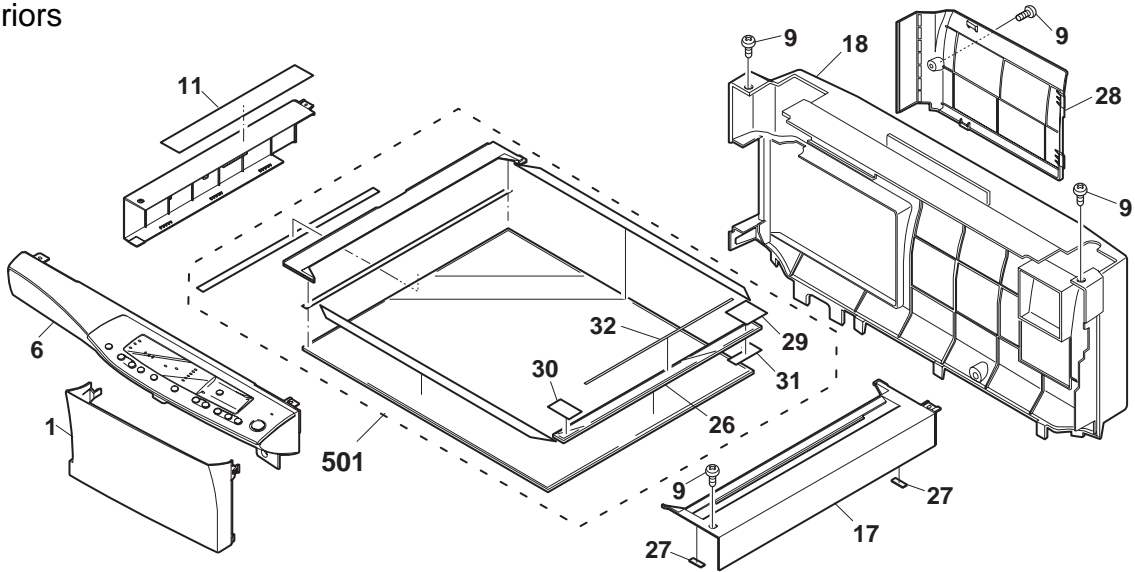
# SHARP PARTS GUIDE

## AL-1020 AL-1220 MODEL AL-1250

### CONTENTS

- |    |                                |    |                                |
|----|--------------------------------|----|--------------------------------|
| 1  | Exteriors                      | 30 | DC power supply PWB            |
| 3  | Operation panel                | 31 | GDI PWB·AL-1250                |
| 6  | Optical Frame 2                | 32 | GDI Memory PWB                 |
| 11 | Base plate unit 1              | 33 | SPF exteriors                  |
| 12 | Base plate unit 2              | 34 | SPF pick up unit               |
| 23 | Packing material & Accessories | 35 | SPF transport unit             |
| 24 | MCU PWB                        | 36 | 2ND frame unit·AL-1250         |
| 25 | Operation PWB                  | 37 | 2ND paper feeding unit·AL-1250 |
|    |                                | ■  | Index                          |

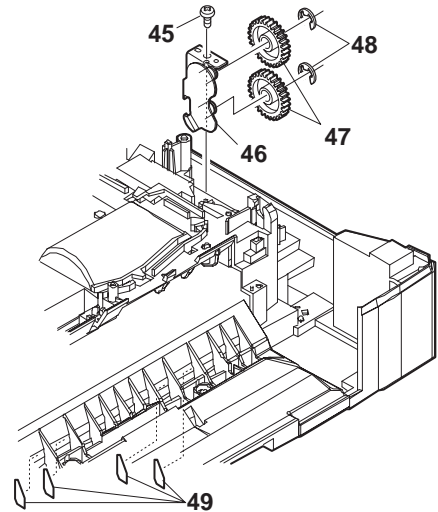
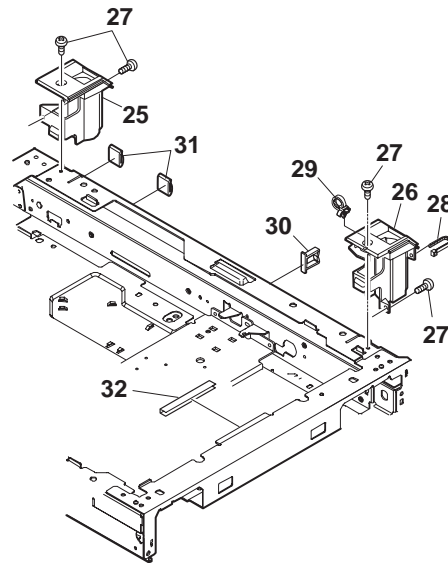
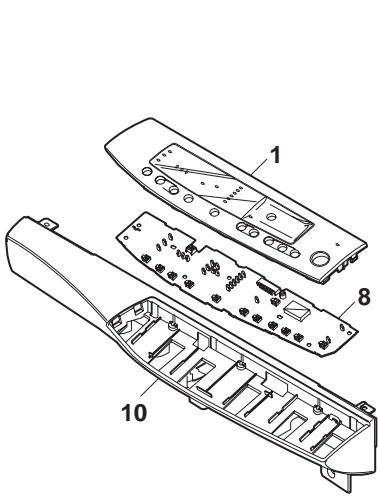
1 Exteriors



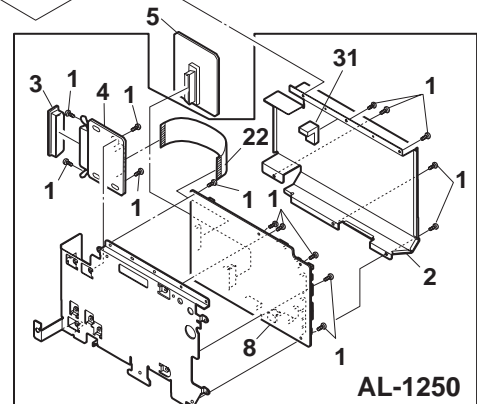
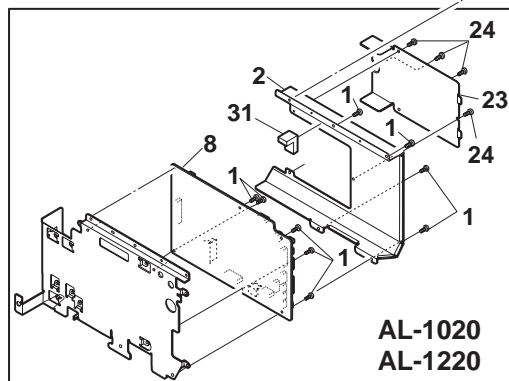
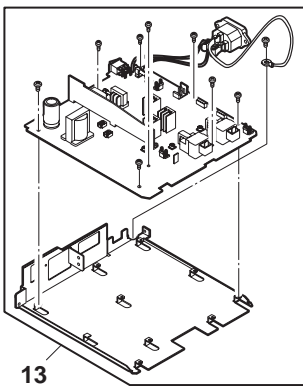
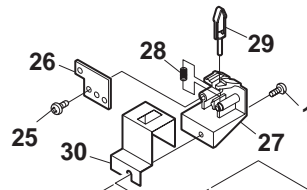
3 Operation panel

6 Optical Frame 2

11 Base plate unit 1



12 Base plate unit 2



## 1 Exteriors

NO.	PARTS CODE	PRICE RANK	NEW MARK	PART RANK	DESCRIPTION
1	CCAB-0003QS01	AR		D	Front cover (Except Europe)
	GCAB-0003QSZA	AS		D	Front cover (For Europe)
6	CPNLC0002QS09	AV	N	D	Operation panel (Except Europe) (AL-1020)
	CPNLC0002QS10	AV	N	D	Operation panel (For Europe) (AL-1020)
	CPNLC0002QS19	AV	N	D	Operation panel (Except Europe) (AL-1220)
	CPNLC0002QS20	AV	N	D	Operation panel (For Europe) (AL-1220)
	CPNLC0002QS25	AV	N	D	Operation panel (AL-1250)
9	XBBSE30P08000	AA		C	Screw (3x8)
11	TLABH0056QSZ1	AG	N	C	Operation instruction label
17	GCAB-0010QSZZ	AM	N	D	Right exterior SPF (Except Europe)
	GCAB-0010QSZA	AP	N	D	Right exterior SPF (For Europe)
18	GCAB-0026QSZZ	AZ	N	D	Rear exterior SPF (Except Europe)
	GCAB-0026QSZA	BA	N	D	Rear exterior SPF (For Europe)
26	PGLSP0002QSZZ	AU	N	B	SPF slit glass
27	PCUSS0011QSZZ	AB	N	C	SPF glass cushion
28	PCOVP0040QSZZ	AN	N	C	Rear exterior cover SPF (Except Europe)
	PCOVP0040QSZA	AP	N	C	Rear exterior cover SPF (For Europe)
29	PSHEZ0093QSZZ	AC	N	C	Slit glass sheet R
30	PSHEZ0094QSZZ	AC	N	C	Slit glass sheet F
31	PSHEZ0095QSZZ	AD	N	C	SPF sheet
32	PTPE-0010QSZZ	AC	N	C	Slit glass tape
501	CFIX-0003QS59	AZ	N	E	Table unit (Except Europe)
	CFIX-0003QS60	AZ	N	E	Table unit (For Europe)

## 3 Operation panel

NO.	PARTS CODE	PRICE RANK	NEW MARK	PART RANK	DESCRIPTION
1	PFILZ0001QSZ1	AS	N	B	Filter SPF (Inch series) (AL-1020/AL-1220)
	PFILZ0001QS10	AS	N	B	Filter SPF (AB series) (AL-1020/AL-1220)
	PFILZ0001QS17	AS	N	B	Filter SPF (Inch series) (AL-1250)
8	CPWBF0014QS55	BQ	N	E	Operation PWB (AL-1020/AL-1220)
	CPWBF0014QS59	BQ	N	E	Operation PWB (AL-1250)
10	CPNLC0002QS09	AV	N	D	Operation panel (Except Europe) (AL-1020)
	CPNLC0002QS10	AV	N	D	Operation panel (For Europe) (AL-1020)
	CPNLC0002QS19	AV	N	D	Operation panel (Except Europe) (AL-1220)
	CPNLC0002QS20	AV	N	D	Operation panel (For Europe) (AL-1220)
	CPNLC0002QS25	AV	N	D	Operation panel (AL-1250)

## 6 Optical Frame 2

NO.	PARTS CODE	PRICE RANK	NEW MARK	PART RANK	DESCRIPTION
25	PGIDM0019QSZZ	AH	N	C	SPF hinge guide L (Except Europe)
	PGIDM0019QSZA	AH	N	C	SPF hinge guide L (For Europe)
26	PGIDM0020QSZZ	AH	N	C	SPF hinge guide R (Except Europe)
	PGIDM0020QSZA	AH	N	C	SPF hinge guide R (For Europe)
27	XBBSE30P08000	AA		C	Screw (3x8)
28	LBNDJ0013FCZ1	AA		C	Wire band
29	LBNDJ1002HCZZ	AA		C	Wire band (PLT1M)
30	LHLDW2133SCZZ	AC		C	Locking wire holder (LWS-1M)
31	LHLDW1098HCZZ	AB		C	Crip holder (SC-0507)
32	PSHEZ0111QSZZ	AC	N	C	Protection sheet

## 11 Base plate unit 1

NO.	PARTS CODE	PRICE RANK	NEW MARK	PART RANK	DESCRIPTION
45	XEBSE40P12000	AA		C	Screw (4x12) (AL-1250)
46	CPLTM0038QS01	AF	N	C	2ND joint gear fixing plate (AL-1250)
47	NGERH1169FCZZ	AF		C	2ND joint gear (AL-1250)
48	XRESP70-08000	AA		C	E type ring (AL-1250)
49	PSHEZ0115QSZZ	AC	N	C	Base plate rib sheet (AL-1250)

## 12 Base plate unit 2

NO.	PARTS CODE	PRICE RANK	NEW MARK	PART RANK	DESCRIPTION
1	XHBSE30P06000	AA		C	Screw (3×6)
2	LPLTM0088QSZZ	AN		C	PWB cover (AL-1020/AL-1220)
	LPLTM0018QSZZ	AN		C	PWB cover (AL-1250)
3	PCAPH1001ACZZ	AE		C	57L connector protector cap (AL-1250)
4	CPWBF0012QS51	BA		E	GDI PWB (AL-1250)
5	CPWBF0013QS52	BG		E	GDI memory PWB 6MB
8	CPWBX0011QS52	BY	N	E	MCU PWB (AL-1020)
	CPWBX0011QS53	BY	N	E	MCU PWB (AL-1220/AL-1250)
13	CPWBF0017QS35	BU	N	E	DC power supply PWB (120V/127V)
	CPWBF0017QS34	BV		E	DC power supply PWB (200V series)
22	DHA1-0063QSZZ	AG		C	GDI harness (AL-1250)
23	LPLTM0089QSZZ	AH		C	PWB cover (AL-1020/AL-1220)
24	XBBSE30P08000	AA		C	Screw (3×8) (AL-1020/AL-1220)
25	XEBSD30P06000	AA		C	Screw (3×6)
26	CPWBF1177FC5C	AL	N	E	Sensor PWB
27	PCÖVP0041QSZZ	AD	N	C	SPF sensor cover
28	MSPRC0146QSZZ	AB	N	C	SPF open the shot spring
29	MLEVP0043QSZZ	AD	N	C	SPF open the shot lever ATC
30	PSHEZ0098QSZZ	AE	N	C	SPF open the shot PWB sheet
31	PMLT-0028QSZZ	AC	N	C	Cable fixing cushion

## 23 Packing material &amp; Accessories

NO.	PARTS CODE	PRICE RANK	NEW MARK	PART RANK	DESCRIPTION
1	SPAKA0063QSZZ	AQ	N	D	Top packing cushion Left SPF
2	SPAKA0062QSZZ	AQ	N	D	Top packing cushion Right SPF
7	TINSE0089QSZZ	AY	N	D	Operation manual ADF (USA) (AL-1020/AL-1220)
	TINSE0092QSZZ	AY	N	D	Operation manual ADF (English)(CANADA,Australia) (AL-1020/AL-1220)
	TINSF0088QSZZ	AY	N	D	Operation manual ADF (French)(CANADA) (AL-1020/AL-1220)
	TINSE0097QSZZ	AY	N	D	Operation manual ADF (U.Kingdom) (AL-1220)
	TINSZ0099QSZZ	AY	N	D	Operation manual ADF (SEEG) (AL-1220)
	TINSZ0098QSZZ	AY	N	D	Operation manual ADF (Germany) (AL-1220)
	TINSE0094QSZZ	AU	N	D	Operation manual printer (USA,CANADA) (AL-1250)
9	TINSF0095QSZZ	AT	N	D	Operation manual printer (French)(CANADA) (AL-1250)
	SPAKA0106QSZZ	AY	N	D	Bottom packing cushion SPF (AL-1020/AL-1220)
10	SPAKA0066QSZZ	AY	N	D	Bottom packing cushion 2ND (AL-1250)
	SPAKC0107QSZZ	BA	N	D	Packing case (USA) (AL-1020)
	SPAKC0107QS12	BA	N	D	Packing case (CANADA) (AL-1020)
	SPAKC0109QSZZ	BA	N	D	Packing case (Germany) (AL-1020)
	SPAKC0109QS11	BA	N	D	Packing case (SEEG) (AL-1020)
	SPAKC0109QS12	BA	N	D	Packing case (U.Kingdom) (AL-1020)
	SPAKC0109QS13	BA	N	D	Packing case (Australia) (AL-1020)
	SPAKC0107QS13	BA	N	D	Packing case (USA) (AL-1220)
	SPAKC0107QS15	BA	N	D	Packing case (CANADA) (AL-1220)
	SPAKC0109QS13	BA	N	D	Packing case (Germany) (AL-1220)
	SPAKC0109QS14	BA	N	D	Packing case (SEEG) (AL-1220)
	SPAKC0109QS15	BA	N	D	Packing case (U.Kingdom) (AL-1220)
	SPAKC0109QS14	BA	N	D	Packing case (Australia) (AL-1220)
14	SPAKC0108QSZZ	BA	N	D	Packing case (USA) (AL-1250)
	SPAKC0108QS12	BA	N	D	Packing case (CANADA) (AL-1250)
18	QCADZ0030GCZZ	AD		D	License card (AL-1250)
102	SPAKA0064QSZZ	AC	N	D	OC packing cushion SPF
104	QCNCM0923FC18	AF		C	Connector (18pin) [CN119]
105	QCNCM0923FC24	AF		C	Connector (24pin) [CN101,123]
106	QCNCM1005MCZZ	AB		C	Connector (2pin) [CN105]
107	QCNCM1069AC0D	AC		C	Connector (4pin) [CN103]
108	QCNCM1119LC0C	AC		C	Connector (3pin) [CN126]
109	QCNCM1119LC0E	AC		C	Connector (5pin) [CN109]
110	QCNCM2401SC0C	AB		C	Connector (3pin) [CN111]
111	QCNCM2401SC0D	AC		C	Connector (4pin) [CN112]
112	QCNCM2401SC0E	AC		C	Connector (5pin) [CN110]
113	QCNCM2401SC0F	AB		C	Connector (6pin) [CN117]

## 24 MCU PWB

NO.	PARTS CODE	PRICE RANK	NEW MARK	PART RANK	DESCRIPTION
1	QCNCM0923FC14	AE		C	Connector (14pin) [CN106]
2	QCNCM0923FC18	AF		C	Connector (18pin) [CN119]
3	QCNCM0923FC24	AF		C	Connector (24pin) [CN101,123]
4	QCNCM1005MCZZ	AB		C	Connector (2pin) [CN105]
5	QCNCM1069AC0D	AC		C	Connector (4pin) [CN103]
6	QCNCM1119LC0C	AC		C	Connector (3pin) [CN126]
7	QCNCM1119LC0E	AC		C	Connector (5pin) [CN109]
8	QCNCM2401SC0C	AB		C	Connector (3pin) [CN111]
9	QCNCM2401SC0D	AC		C	Connector (4pin) [CN112]
10	QCNCM2401SC0E	AC		C	Connector (5pin) [CN110]
11	QCNCM2401SC0F	AB		C	Connector (6pin) [CN117]

## 24 MCU PWB

NO.	PARTS CODE	PRICE RANK	NEW MARK	PART RANK	DESCRIPTION
12	QCNCM7014SC0C	AA		C	Connector (3pin) [CN104,118,125]
13	QCNCM7014SC0D	AB		C	Connector (4pin) [CN107]
14	QCNCM7014SC0E	AB		C	Connector (5pin) [CN120]
15	QCNCP0340QCZZ	AC		C	Connector (3pin) [CN102]
16	QCNCW0012QSZZ	AH		C	Connector (40pin) [CN108]
17	QCNCW0015QSZZ	AE		C	Connector (52147-0510)(5pin) [CN122]
18	QCNCW0024QSZZ	AF	N	C	Connector (FF4-32-S15D5) [CN124]
19	QCNCW0948FCZ5	AC		C	Connector (5pin) [CN115]
20	QCNCW1124LC0D	AB		C	Connector (4pin) [CN121]
21	QCNCW1124LC0H	AC		C	Connector (8pin) [CN113]
22	QCNCW1124LC1H	AD		C	Connector (18pin) [CN116]
23	QCNCW1124LC2F	AD		C	Connector (26pin) [CN114]
24	QSOCZ0002GCZZ	AD		C	IC socket (40pin) [IC105]
25	QSOCZ6408ACZZ	AB		C	IC socket (8pin) [IC112]
26	RCILZ0003QSZZ	AC		C	Coil (HF50ACC201209) [L104,105,106,110,111,112]
27	RCILZ0004QSZZ	AE		C	Coil (NFM839R02C470R101) [NF101,102]
28	RCILZ1032CCZZ	AD		C	Coil (SBO-02SAN) [L101,102,103,107,108,109]
29	RCRSZ0001QSZZ	AG		B	Crystal (19.6608MHZ) [X101]
30	RCRSZ0002QSZZ	AP		B	Crystal (15.4265074MHZ) [X102]
31	RCRSZ0003QSZZ	AP		B	Crystal (22MHZ) [X103]
32	RH-DZ0016FCZZ	AB		B	Diode (MA700) [D108]
33	RMPTW4100QCJJ	AA	N	B	Block resistor (10Ω×4) [BR130,134,136,139,156,157,171,173]
34	RMPTW4102QCJJ	AB		B	Block resistor (1.0KΩ×4) [BR119,120,169]
	RMPTW4203QCJJ	AA		B	Block resistor (20KΩ×4) [BR101-118,121,122,127,128,129]
35	RMPTW4203QCJJ	AA		B	Block resistor (20KΩ×4) [BR137,141-151,161,164-168]
36	RMPTW4300QCJJ	AA	N	C	Block resistor (30Ω×4) [BR170,172]
	RMPTW4470QCJJ	AB		B	Block resistor (47Ω×4) [BR123,124,125,126,131,132,133,135,138,140]
37	RMPTW4470QCJJ	AB		B	Block resistor (47Ω×4) [BR152,153,154,155,158,159,160,162,163]
38	RRLYD342BQCZZ	AL		B	Relay (G5V-2) [RY101,102]
	VCCCCY1HH101J	AA		C	Capacitor (50WV 100PF) [C266,267,275,279,280,281,282,283,284,294,296,297,298,299,300]
39	VCCCCY1HH101J	AA		C	Capacitor (50WV 100PF) [C304,306,307,312,319,320,321,324,333,334,335,336,337,338]
	VCCCCY1HH101J	AA		C	Capacitor (50WV 100PF) [C344,345,346,348,355,356,361,362,365,366,371]
40	VCCCCY1HH120J	AA		C	Capacitor (50WV 12PF) [C358,378]
41	VCCCCY1HH180J	AA		C	Capacitor (50WV 18PF) [C213,351,352,390,391,393,394,396,404]
42	VCCCCY1HH330J	AA		C	Capacitor (50WV 33PF) [C293,305,314,317,374,414,415,416,417,424,425,426,427]
	VCCCCY1HH470J	AA		C	Capacitor (50WV 47PF) [C209,210,211,212,214,231,232,233,234,235,236,237,238,240]
43	VCCCCY1HH470J	AA		C	Capacitor (50WV 47PF) [C241,242,243,247,248,249,250,251,252,253,254,260,268,269,270]
	VCCCCY1HH470J	AA		C	Capacitor (50WV 47PF) [C271,272,273,285,286,287,308,316,332,342,343,360,370,429]
44	VCEAGU1CW106M	AA		C	Capacitor (16WV 10μF) [C106,109,110,113]
45	VCEAGU1CW107M	AB		C	Capacitor (16WV 100μF) [C102]
46	VCEAGU1CW226M	AA		C	Capacitor (16WV 22μF) [C101,108]
47	VCEAGU1CW476M	AB		C	Capacitor (16WV 47μF) [C116]
48	VCEAGU1EW106M	AA		C	Capacitor (25WV 10μF) [C114,115]
49	VCEAGU1EW476M	AB		C	Capacitor (25WV 47μF) [C112]
50	VCEAGU1HW474M	AA		C	Capacitor (50WV 0.47μF) [C104]
51	VCEAGA1VW106M	AA		C	Capacitor (35WV 10μF) [C105]
52	VCEAGA1VW226M	AC		C	Capacitor (35WV 22μF) [C103]
53	VCEAGU1VW476M	AB		C	Capacitor (35WV 47μF) [C111]
	VCKYCY1CF104Z	AA		C	Capacitor (16WV 0.1μF) [C201,206,207,208,216,228,245,257,258,259,274,295,302,309,310]
54	VCKYCY1CF104Z	AA		C	Capacitor (16WV 0.1μF) [C313,315,318,322,323,325,326,327,328,329,330,340,341,347,353]
	VCKYCY1CF104Z	AA		C	Capacitor (16WV 0.1μF) [C354,357,359,363,375,381,385,389,392,397,408,409,410,413,420]
	VCKYCY1CF104Z	AA		C	Capacitor (16WV 0.1μF) [C421,422,423,428,432,433,434,436-445]
55	VCKYCY1EB223K	AA		C	Capacitor (25WV 0.022μF) [C219,246,264,265,303,376,380,382,386,412]
	VCKYCY1HB102K	AA		C	Capacitor (50WV 1000PF) [C202,203,204,217,221,222,223,224,225,226,227,229,230,239]
56	VCKYCY1HB102K	AA		C	Capacitor (50WV 1000PF) [C244,255,256,261,262,263,276,277,278,288,289,290]
	VCKYCY1HB102K	AA		C	Capacitor (50WV 1000PF) [C291,292,301,311,331,339,349,350,364,367,368,369,377,379]
	VCKYCY1HB102K	AA		C	Capacitor (50WV 1000PF) [C384,387,388,395,399,402,403,405,406,407,418,419,430,431,435,446]
57	VCKYCY1HB222K	AA		C	Capacitor (50WV 2200PF) [C205,400,401,411]
58	VCKYCY1HB471K	AB		C	Capacitor (50WV 470PF) [C372,373]
59	VCKYTW1HB104K	AC		C	Capacitor (50WV 0.10μF) [C215,218,220,383,398]
60	VCQYNU1HM104K	AB		C	Capacitor (50WV 0.10μF) [C107]
61	VHDDAN202U/-1	AB		B	Diode (DAN202U) [D113,114,115,117,118,121,122,126,128]
62	VHDDAP202U/-1	AB		B	Diode (DAP202U) [D110,111,112,116,119,120,124,129]
63	VHDDA204K/-1	AC		B	Diode (DA204K) [D201-208]
64	VHDDSS133/-1	AA		B	Diode (DSS133) [D101,103,104,105,106,107,109,125,127,130]
65	VHD1N4005E/-1	AB		B	Diode (1N4005E) [D102]
66	VHEMTZJ22B/-1	AA		B	Zener diode (MTZJ22B) [D123]
67	VHihG73C025FD	BE		B	IC (HG73C025FD) [IC110]

## 24 MCU PWB

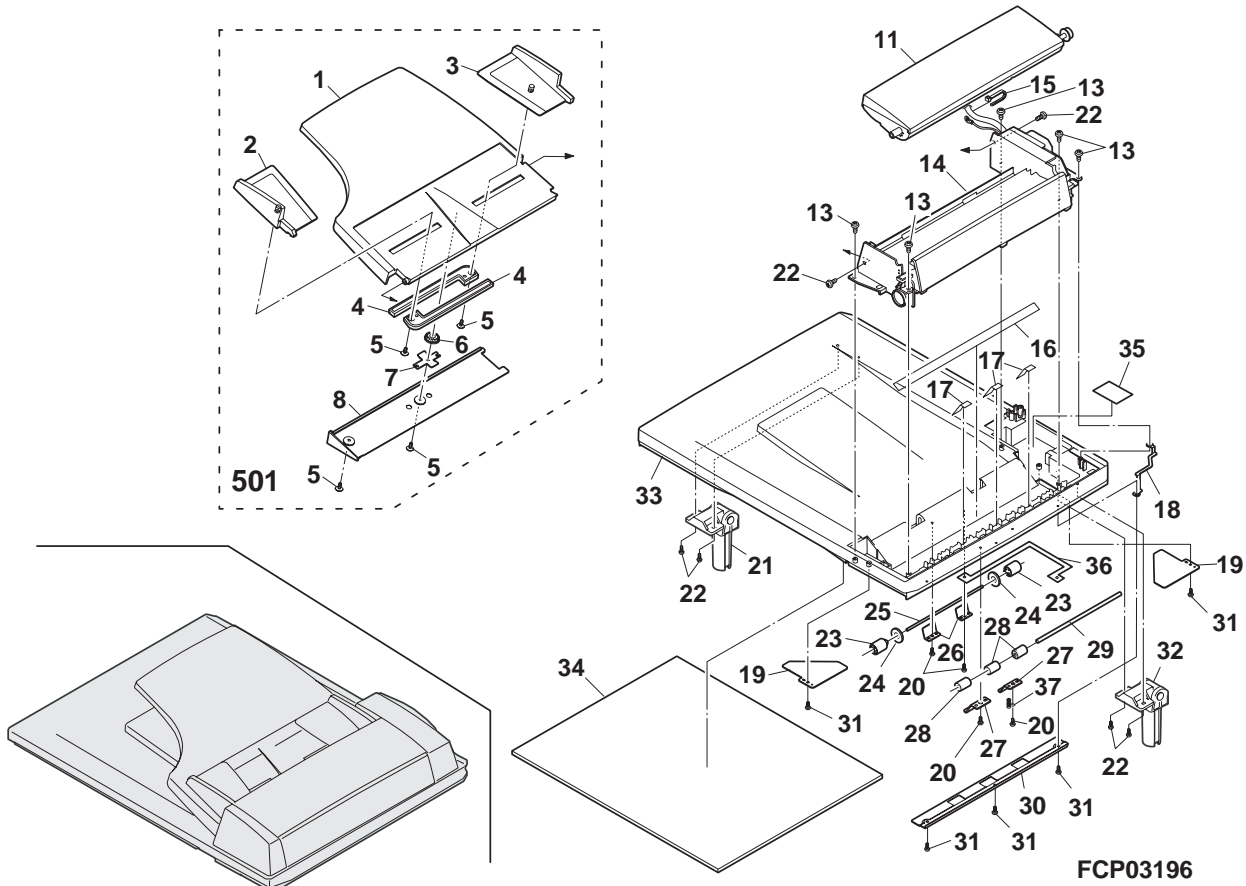
NO.	PARTS CODE	PRICE RANK	NEW MARK	PART RANK	DESCRIPTION
68	VH i H8S / 2350FP	AY		B	IC (H8S/2350FP) [IC108]
69	VH i LM358PS / -S	AC		B	IC (LM358PS) [IC209]
70	VH i M24C02WBN6	AG		B	IC (M24C02WBN6) [IC112]
71	VH i M51953BL -1	AF		B	IC (M51953BL) [IC106]
72	VH i M66236FP -1	AT		B	IC (M66236FP) [IC208]
73	VH i NJM2903M / -	AD		B	IC (NJM2903M) [IC201]
74	VH i NJM3414M -1	AF		B	IC (NJM3414M) [IC210]
75	VH i SLA7027MU /	AQ		B	IC (SLA7027MU) [IC113]
76	VH i SN74LS07NS	AF		B	IC (SN74LS07NS) [IC205,207]
77	VH i TA7291S / -1	AF		B	IC (TA7291S) [IC101]
78	VH i TC74HC14FN	AH		B	IC (TC74HC14FN) [IC211]
79	VH i TC74HC151F	AG		B	IC (TC74HC151F) [IC202,203,206]
80	VH i TD62003AP1	AG		B	IC (TD62003AP1) [IC102,103]
81	VH i TD62064AF /	AM	N	B	IC (TD62064F) [IC111,114]
82	VH i TD62503F / -	AG		B	IC (TD62503F) [IC109]
83	VH i W24257A12J	AN		B	IC (W24257A12J) [IC104,107,115,116]
84	VH i 27C02003QS	AW	N	B	IC (27C02003QS) [IC105]
85	V RNHT2EK4301F	AB		C	Resistor (1/4W 4.3KΩ ±1%)(AL-1020) [R103]
	V RNHT2EK2401F	AA		C	Resistor (1/4W 2.4KΩ ±1%)(AL-1220/AL-1250) [R103]
87	VH i 74VHC08 / -1	AE		B	IC (74VHC08) [IC204]
88	VHV i CPN38 / / -1	AF		B	Varistor (ICPN38) [CP101,102]
89	VRS -CY1 JD000J	AA		C	Resistor (1/16W 0Ω ±5%) [R247,272,335,336,337, J201,202]
90	VRS -CY1 JD100J	AA		C	Resistor (1/16W 10Ω ±5%) [R238,246,248,253,257,294,301]
91	VRS -CY1 JD101J	AA		C	Resistor (1/16W 100Ω ±5%) [R273,304,319]
92	VRS -CY1 JD102F	AA		C	Resistor (1/16W 1KΩ ±1%) [R214]
	VRS -CY1 JD102J	AA		C	Resistor (1/16W 1.0KΩ ±5%) [R206,228,229,231,232,239,251,252]
93	VRS -CY1 JD102J	AA		C	Resistor (1/16W 1.0KΩ ±5%) [R261,277,284,295,303,331,333,339,340,344]
94	VRS -CY1 JD103F	AB		C	Resistor (1/16W 10KΩ ±1%) [R215,223,328,329]
	VRS -CY1 JD103J	AA		C	Resistor (1/16W 10KΩ ±5%) [R207,226,234,240,244,258]
95	VRS -CY1 JD103J	AA		C	Resistor (1/16W 10KΩ ±5%) [R262,264,265,276,282,283,310,311]
96	VRS -CY1 JD105F	AA		C	Resistor (1/16W 1.0MΩ ±1%) [R218]
97	VRS -CY1 JD122J	AA		C	Resistor (1/16W 1.2KΩ ±5%) [R220]
98	VRS -CY1 JD152J	AA		C	Resistor (1/16W 1.5KΩ ±5%) [R287,288,291,306]
99	VRS -CY1 JD202J	AA		C	Resistor (1/16W 2KΩ ±5%) [R297]
	VRS -CY1 JD203J	AA		C	Resistor (1/16W 20KΩ ±5%) [R225,227,230,233,241,242,243,245,250,254,256,269]
100	VRS -CY1 JD203J	AA		C	Resistor (1/16W 20KΩ ±5%) [R274,275,281,293,300,316,326,327,341,343]
101	VRS -CY1 JD205J	AA		C	Resistor (1/16W 2.0MΩ ±5%) [R322,325]
102	VRS -CY1 JD222J	AA		C	Resistor (1/16W 2.2KΩ ±5%) [R278,279,285,286,314,315,323,324]
103	VRS -CY1 JD242J	AA		C	Resistor (1/16W 2.4KΩ ±5%) [R320,321]
104	VRS -CY1 JD301J	AA		C	Resistor (1/16W 300Ω ±5%) [R298,312]
105	VRS -CY1 JD331J	AA		C	Resistor (1/16W 330Ω ±5%) [R280]
106	VRS -CY1 JD332J	AA		C	Resistor (1/16W 3.3KΩ ±5%) [R255]
107	VRS -CY1 JD333J	AA		C	Resistor (1/16W 33KΩ ±5%) [R213]
108	VRS -CY1 JD470J	AA		C	Resistor (1/16W 47Ω ±5%) [R235,260,263,266,267,268,270,271,289,290,292,305,313,317]
109	VRS -CY1 JD472J	AA		C	Resistor (1/16W 4.7KΩ ±5%) [R209,216,296]
110	VRS -CY1 JD473J	AA		C	Resistor (1/16W 47KΩ ±5%) [R204,205,208,210,307,308]
111	VRS -CY1 JD512J	AA		C	Resistor (1/16W 5.1KΩ ±5%) [R332]
112	VRS -CY1 JD621F	AA		C	Resistor (1/16W 620Ω ±1%) [R221]
113	VRS -CY1 JD621J	AA		C	Resistor (1/16W 620Ω ±5%) [R299]
114	VRS -CY1 JD680J	AA		C	Resistor (1/16W 68Ω ±5%) [R259]
115	VRS -CY1 JD751J	AA		C	Resistor (1/16W 750Ω ±5%) [R309]
116	VRS -CY1 JD752J	AA		C	Resistor (1/16W 7.5KΩ ±5%) [R217,236,237,302]
117	VRS -CY1 JD912J	AA		C	Resistor (1/16W 9.1KΩ ±5%) [R334]
118	VRS -HT3DAR22J	AA		C	Resistor (2W 0.22Ω ±5%) [R102]
119	VRS -HT3DA1R0J	AB		C	Resistor (2W 1.0Ω ±5%) [R104,105]
120	VRS -HT3DA102J	AA		C	Resistor (2W 1.0KΩ ±5%) [R101]
121	VRS -TP2BD121J	AA		C	Resistor (1/8W 120Ω ±5%) [R249]
122	VRS -TP2BD151J	AA		C	Resistor (1/8W 150Ω ±5%) [R219,224,318,330,338,342]
123	VRS -TP2BD221J	AB		C	Resistor (1/8W 220Ω ±5%) [R222]
124	VRS -TP2BD241J	AA		C	Resistor (1/8W 240Ω ±5%) [R202,203]
125	VRS -TP2BD432J	AA		C	Resistor (1/8W 4.3KΩ ±5%) [R212]
126	VRS -TP2BD472J	AA		C	Resistor (1/8W 4.7KΩ ±5%) [R201,211]
127	VSDTA143XK / -1	AB		B	Transistor (DTA143XK) [Q204]
128	VSDTC114EKA -1	AC		B	Transistor (DTC114EKA) [Q202]
129	VS2SA1036KQRC	AB		B	Transistor (2SA1036KQRC) [Q201,203]
130	VS2SD1853 - / -1	AC		B	Transistor (2SD1853) [Q101]
131	PGSK-0002QSZZ	AD	N	C	Gasket (UC300278 L=9)
132	PSHEZ0110QSZZ	AB	N	C	MCU insulator sheet
133	VCCCPA1HH180J	AA		C	Capacitor (50WV 18PF)
	(Unit)				
901	CPWBX0011QS52	BY	N	E	MCU PWB (AL-1020)
	CPWBX0011QS53	BY	N	E	MCU PWB (AL-1220/AL-1250)



**33** SPF exteriors

NO.	PARTS CODE	PRICE RANK	NEW MARK	PART RANK	DESCRIPTION
1	LSOU-0004QSZZ	AX	N	D	Original tray
2	LPLTP0011QSZZ	AH	N	C	Control plate F
3	LPLTP0012QSZZ	AH	N	C	Control plate R
4	NGERR0377FCZZ	AD		C	Manual feeding rack gear
5	XEPSD30P08X00	AA		C	Screw (3x8X)
6	NGERH0193FCZZ	AB		C	Manual feeding gear
7	MSPRP0059QSZZ	AD		C	Control plate spring
8	PCOVP0036QSZZ	AK	N	D	Rack cover
11	CFRM-0011QS51	BE	N	E	SPF pick up unit
13	XEBSD40P10000	AA		C	Screw (4x10)
14	CFRM-0013QS51	BS	N	E	SPF transport unit
15	LBNDJ0013FCZ1	AA		C	Wire band
16	PSHEP0038QSZZ	AE	N	C	Base tray sheet
17	PSHEP0063QSZZ	AC	N	C	Transport sheet
18	MSPRP0113QSZZ	AD	N	C	Earth spring
19	PSHEP0037QSZZ	AF	N	C	OC sheet
20	XEBSD30P08000	AA		C	Screw (3x8)
21	MHNG-0003QSZZ	AX	N	C	SPF hinge L
22	XEBSE40P14000	AA		C	Screw (4x14)
23	NRÖLP0011QSZZ	AD		C	Delivery roller
24	PSPO-0001QSZZ	AB		C	Sponge
25	NSFTZ0010QSZZ	AE		C	Delivery shaft
26	MSPRT0061QSZZ	AC	N	C	Delivery spring
27	MSPRP0060QSZZ	AD		C	Transport spring
28	NRÖLP0010QSZZ	AD		C	Transport roller
29	NSFTZ0009QSZZ	AE		C	Transport shaft
30	LPLTM0096QSZZ	AF	N	C	Base tray reinforce plate
31	LX-BZ0016QSZZ	AC	N	C	Screw (3x8)
32	MHNG-0004QSZZ	AX	N	C	SPF hinge R
33	LSOU-0005QSZZ	BB	N	D	Base tray
34	PCUSS0010QSZZ	AV	N	C	OC sheet
35	PSHEZ0102QSZZ	AD	N	C	Motor pressure sheet
36	PSHEZ0112QSZZ	AE	N	C	Delivery earth sheet SPF
37	MSPRC0149QSZZ	AC	N	C	PS earth spring SPF
501	CSOU-0004QS51	BC	N	E	SPF original tray unit
(Unit)					
901	DUNT-0032QSZZ	CF	N	E	SPF unit (This includes Block 33,34,35)

**33** SPF exteriors

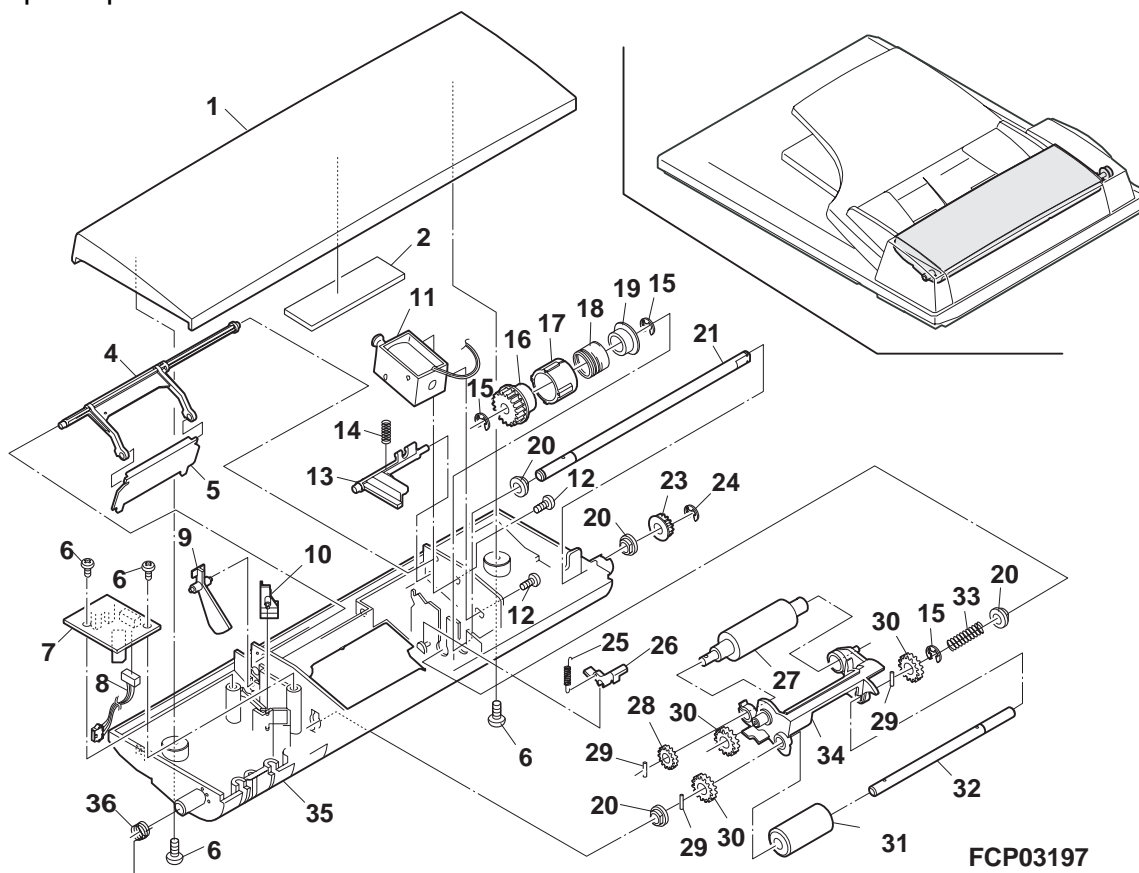




## 34 SPF pick up unit

NO.	PARTS CODE	PRICE RANK	NEW MARK	PART RANK	DESCRIPTION
1	GCAB-0008QSZZ	AM	N	D	Open and shut exterior
2	PSP0-0002QSZZ	AC		C	Stopper sponge
4	MARMP0003QSZZ	AE		C	Stopper arm
5	LSTPP0001QSZZ	AD		C	Paper stopper
6	XEBSD30P08000	AA		C	Screw (3x8)
7	CPWBF0009QS51	AG	N	E	SPF sensor PWB
8	DHAi-0055QSZZ	AK	N	C	Sensor harness
9	MLEVP0009QSZZ	AD		C	Set detect lever ACT
10	MLEVP0010QSZZ	AE		C	Open and shut detect lever ACT
11	RPLU-0004QSZZ	AQ		B	PU solenoid
12	XBPSD30P06KS0	AA		C	Screw (3x6KS)
13	MARMP0002QSZZ	AD		C	Solenoid arm
14	MSPRT0067QSZ1	AB	N	C	Solenoid arm spring
15	XRESP40-06000	AA		C	E type ring
16	NGERH0073QSZZ	AE		C	Clutch gear (20T)
17	PPiPP0008QSZZ	AD		C	SPF clutch sleeve
18	MSPRC1316FCZ1	AE		C	MF clutch spring B
19	LBOSZ1508FCZZ	AG		C	Cam boss A2
20	LBSHZ0303FCZZ	AC		C	M bushing C
21	NSFTZ0012QSZZ	AG	N	C	Clutch shaft
23	NPLYZ0010QSZZ	AE		C	20MXL pulley
24	XRESP30-06000	AA		C	E type ring
25	MSPRT0066QSZ1	AC	N	C	Clutch pawl spring
26	PTME-0009QSZZ	AD		B	Clutch pawl
27	NR0LP0024QSZZ	AL		C	Pick up roller
28	NGERH0990FCZZ	AB		C	Gear (16T)
29	XPSSP20-07000	AA		C	Spring pin (φ2-7)
30	NGERH0992FCZZ	AB		C	Gear (20T)
31	NR0LR0922FCZZ	AR		C	Manual feeding roller
32	NSFTZ0011QSZZ	AG		C	PF shaft
33	MSPRC0115QSZZ	AB		C	Paper feeding spring
34	MARMP0004QSZZ	AF		C	Pick up arm
35	LFRM-0011QSZZ	AL	N	C	Paper feedind frame
36	MSPRD0114QSZ1	AD	N	C	PF frame spring
	(Unit)				
901	CFRM-0011QS51	BE	N	E	SPF pick up unit

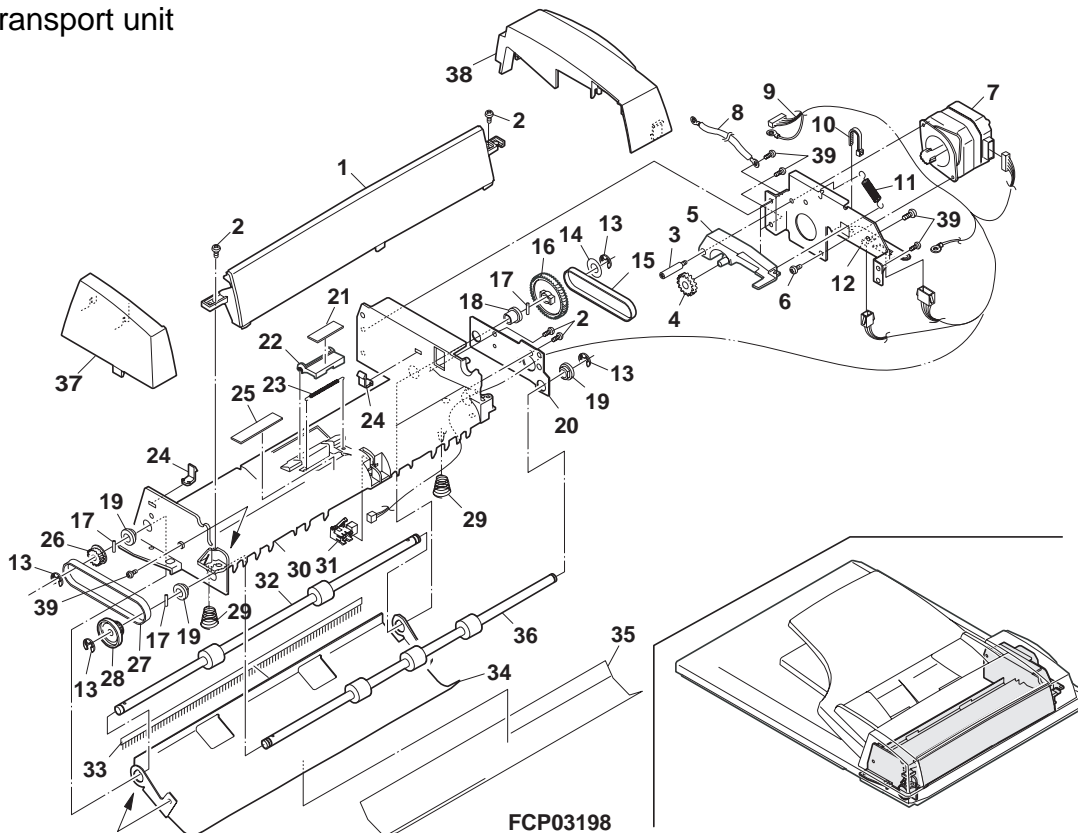
## 34 SPF pick up unit



**35** SPF transport unit

NO.	PARTS CODE	PRICE RANK	NEW MARK	PART RANK	DESCRIPTION
1	PG i DM0042QSZZ	AL	N	C	U-turn paper guide
2	XEBSD30P12000	AA		C	Screw (3x12)
3	LX-BZ0012QSZZ	AC	N	C	Screw
4	NGERH0972FCZZ	AB		C	Gear (27T)
5	MARMP0001QSZZ	AF	N	C	Drive arm
6	XBPSD30P05K00	AA		C	Screw (3x5K)
7	RMÖTP0013QSZZ	BB	N	B	SPF motor
8	DHA i -0084QSZZ	AN	N	C	Grand wire
9	DHA i -0054QSZZ	AR	N	C	SPF interface harness
10	LBNDJ0013FCZ1	AA		C	Wire band
11	MSPRT0064QSZ1	AC	N	C	Drive arm spring
12	LFRM-0013QSZZ	AG	N	C	Drive frame
13	XRESP50-06000	AA		C	E type ring
14	PSHEP3029FCZZ	AA		C	Flange sheet DUP2
15	NBLTT0006QSZZ	AG	N	B	Belt (83MXL4.8)
16	NGERH0047QSZZ	AF		C	Gear (48T/15T)
17	XPSSP20-09000	AA		C	Spring pin (φ2-9)
18	NBRGC0098FCZZ	AC		C	Bearing
19	NBRGM5006BCZZ	AB		C	Bearing
20	LFRM-0012QSZZ	AD	N	C	Frame R
21	PSHEZ0039QSZZ	AG		C	Sheet
22	LPLTP0013QSZZ	AD		C	Plate
23	MSPRC0062QSZZ	AC		C	Pressure spring
24	MSPRP0065QSZZ	AD		C	Open and shut lock spring
25	PSHEZ2174FCZZ	AB		C	Paper feeding sheet
26	NPLYZ0146FCZZ	AB		C	22MXL pulley
27	NBLTT0003QSZZ	AG	N	B	Belt (91MXL4.8)
28	JKNBZ0004QSZZ	AD	N	C	JAM release knob
29	MSPRC0063QSZZ	AB		C	Delivery paper guide spring
30	PG i DM0024QSZZ	AQ	N	C	Transport paper guide
31	RDTCT0004QSZZ	AL		B	Inlet detect sensor
32	NRÖLM0023QSZZ	AP	N	C	Delivery roller
33	PBRSR0003QSZZ	AL	N	B	Discharge brush
34	PG i DH0029QSZZ	AL	N	C	Delivery paper guide
35	PSHEP0044QSZZ	AF	N	C	White sheet
36	NRÖLM0022QSZZ	AP	N	C	PS roller
37	PCÖVP0037QSZZ	AH	N	D	Front cover
38	PCÖVP0038QSZZ	AL	N	D	Rear cover
39	XEBSD30P08000	AA		C	Screw (3x8)
	(Unit)				
901	CFRM-0013QS51	BS	N	E	SPF transport unit

**35** SPF transport unit

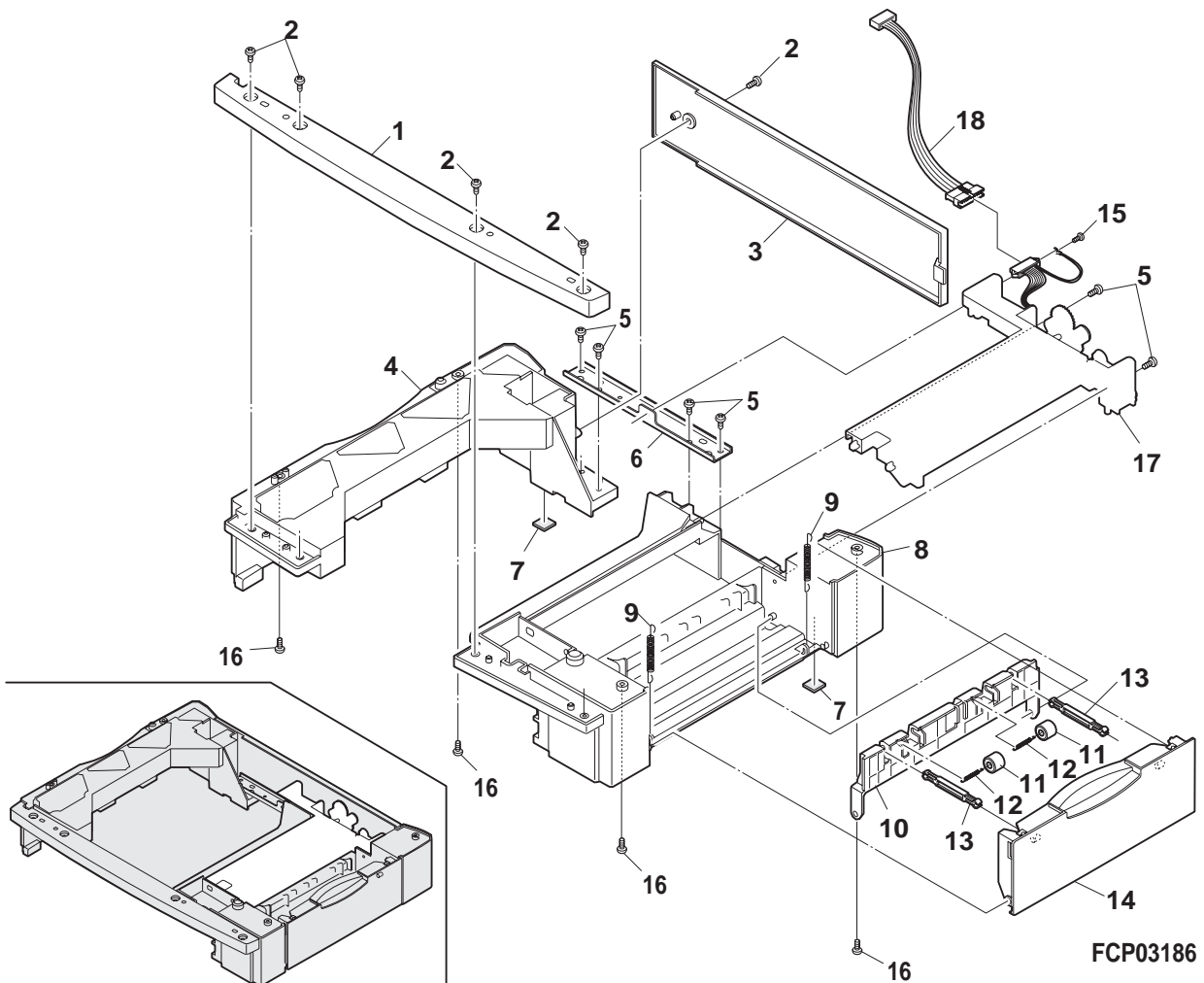


FCP03198

## 36 2ND frame unit · AL-1250

NO.	PARTS CODE	PRICE RANK	NEW MARK	PART RANK	DESCRIPTION
1	GC0VA0005QSZZ	AM	N	D	Front cover
2	XEBSE40P12000	AA		C	Screw (4×12)
3	GC0VA0006QSZZ	AN	N	D	Rear cover
4	PGiDM0016QSZZ	AY	N	C	Guide L
5	XEBSD40P12000	AA		C	Screw (4×12)
6	LPLTM0036QSZZ	AF	N	C	2ND joint plate R
7	GLEGG0064FCZZ	AC		C	Rubber foot
8	PGiDM0015QSZZ	AY	N	C	Guide R
9	MSPRC2544FCZZ	AC		C	2ND transport cover spring
10	GC0VA0007QSZZ	AK	N	D	Transport cover
11	NROLP1060FCZZ	AF		C	U-turn roller
12	MSPRT0112QSZ1	AC	N	C	Transport collar spring
13	MARMP0012QSZZ	AD	N	C	2ND door arm
14	GC0VA0008QSZZ	AK	N	D	Right cover
15	XHBSD40P08000	AA		C	Screw (4×8)
16	XEBSE40P16000	AA		C	Screw (3×16)
17	CFRM-0009QS51	BE	N	E	2ND paper feeding unit
18	DHAi-0053QSZZ	AM	N	C	2CS interface harness

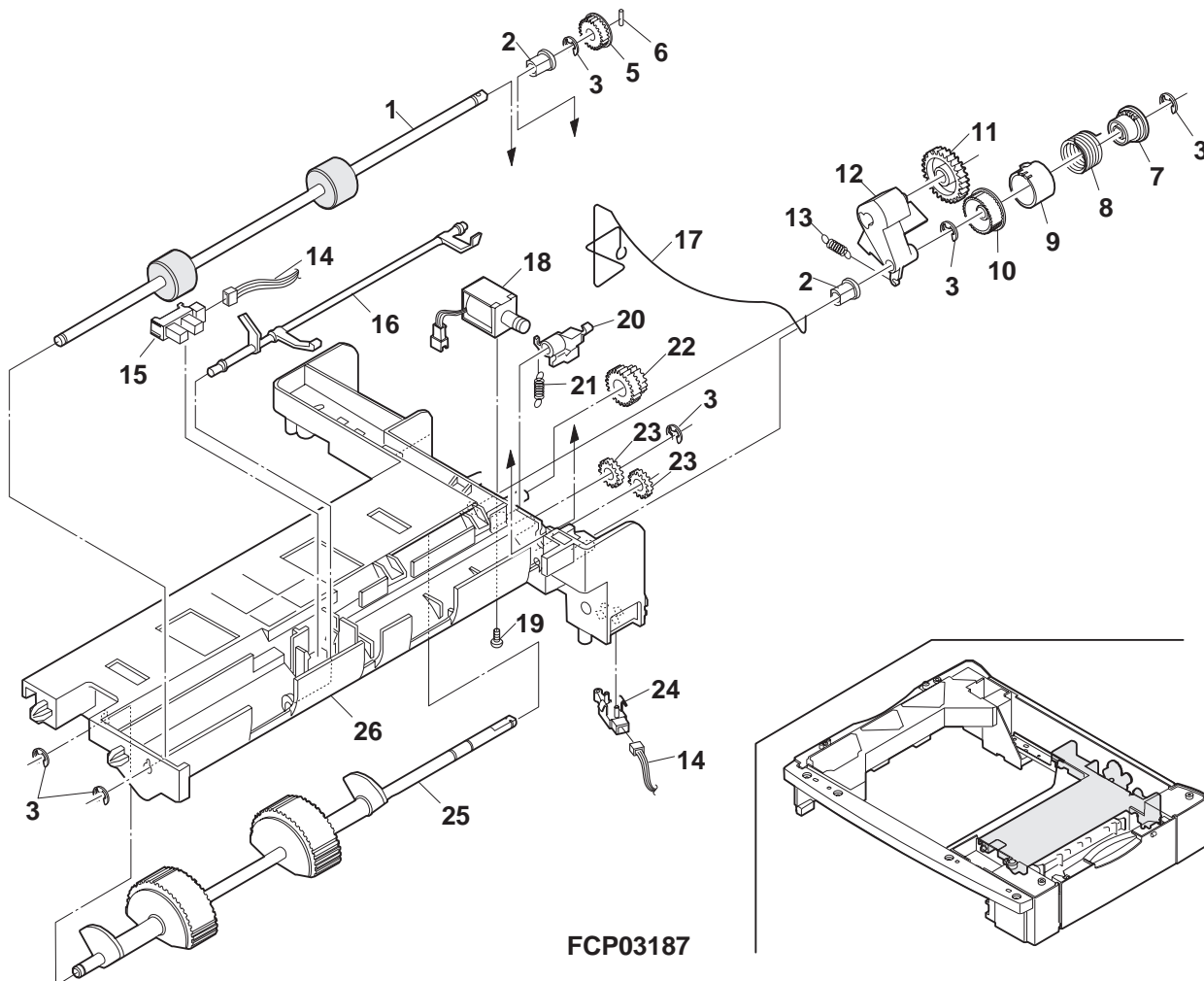
## 36 2ND frame unit · AL-1250



37 2ND paper feeding unit. AL-1250

NO.	PARTS CODE	PRICE RANK	NEW MARK	PART RANK	DESCRIPTION
1	NRÖLP0019QSZ1	AP	N	C	Transport roller
2	NBRGZ1043HCZZ	AD		C	Bearing (B-F5-13)
3	XRESP40-06000	AA		C	E type ring
5	NGERH0992FCZZ	AB		C	Gear (20T)
6	XPSSP20-07000	AA		C	Spring pin (φ2-7)
7	LBÖSZ1031FCZZ	AC		C	Clutch boss
8	MSPRC1152FCZZ	AE		C	Clutch spring
9	PPiPP0007QSZZ	AD	N	C	Clutch sleeve
10	NGERH1132FCZZ	AH		C	Clutch gear (29T)
11	NGERH1207FCZZ	AF		C	2ND joint gear (40T)
12	MARMP0229FCZZ	AE		C	2ND joint arm
13	MSPRC2545FCZZ	AB		C	2ND joint arm spring
14	DHAi-0067QSZZ	AP	N	C	2ND harness
15	VHPGP1A71A1-1	AG		B	Photo transistor (GP1A71A1)
16	MLEVP0033QSZZ	AF	N	C	PPDI actuator
17	MSPRD0058QSZZ	AG	N	C	Earth spring
18	RPLU-0010QSZZ	AN	N	B	PF solenoid
19	XHBSD30P06000	AA		C	Screw (3x6)
20	PTME-0008QSZZ	AD	N	B	PF clutch pawl
21	MSPRC2546FCZZ	AB		C	2ND clutch pawl spring
22	NGERH0041QSZZ	AF		C	Gear (18/26T)
23	NGERH0990FCZZ	AB		C	Gear (16T)
24	QSW-B0003QSZZ	AF		B	Tray detect switch
25	CROLP0015QS01	AU		C	Paper feeding roller
26	LFRM-0009QSZZ	AR	N	C	Paper feedind frame
(Unit)					
901	CFRM-0009QS51	BE	N	E	2ND paper feeding unit

37 2ND paper feeding unit. AL-1250



## ■ Index

PARTS CODE	NO.	PRICE RANK	NEW MARK	PART RANK
【C】				
CCAB-0003QS01	1- 1	AR		D
CFiX-0003QS59	1-501	AZ	N	E
CFiX-0003QS60	1-501	AZ	N	E
CFRM-0009QS51	36- 17	BE	N	E
"	37-901	BE	N	E
CFRM-0011QS51	33- 11	BE	N	E
"	34-901	BE	N	E
CFRM-0013QS51	33- 14	BS	N	E
"	35-901	BS	N	E
CPLTM0038QS01	11- 46	AF	N	C
CPNLC0002QS09	1- 6	AV	N	D
"	3- 10	AV	N	D
CPNLC0002QS10	1- 6	AV	N	D
"	3- 10	AV	N	D
CPNLC0002QS19	1- 6	AV	N	D
"	3- 10	AV	N	D
CPNLC0002QS20	1- 6	AV	N	D
"	3- 10	AV	N	D
CPNLC0002QS25	1- 6	AV	N	D
"	3- 10	AV	N	D
CPWBF0009QS51	34- 7	AG	N	E
CPWBF0012QS51	12- 4	BA		E
"	31-901	BA		E
CPWBF0013QS52	12- 5	BG		E
"	32-901	BG		E
CPWBF0014QS55	3- 8	BQ	N	E
"	25-901	BQ	N	E
CPWBF0014QS59	3- 8	BQ	N	E
"	25-901	BQ	N	E
CPWBF0017QS34	12- 13	BV		E
"	30-901	BV		E
CPWBF0017QS35	12- 13	BU	N	E
"	30-901	BU	N	E
CPWBF1177FC5C	12- 26	AL	N	E
CPWBX0011QS52	12- 8	BY	N	E
"	24-901	BY	N	E
CPWBX0011QS53	12- 8	BY	N	E
"	24-901	BY	N	E
CRÖLP0015QS01	37- 25	AU		C
CSÖU-0004QS51	33-501	BC	N	E
【D】				
DHAi-0053QSZZ	36- 18	AM	N	C
DHAi-0054QSZZ	35- 9	AR	N	C
DHAi-0055QSZZ	34- 8	AK	N	C
DHAi-0063QSZZ	12- 22	AG		C
DHAi-0067QSZZ	37- 14	AP	N	C
DHAi-0084QSZZ	35- 8	AN	N	C
DUNT-0032QSZZ	33-901	CF	N	E
DUNT-0051QSZ1	23-105	AL	N	E
【G】				
GCAB-0003QSZA	1- 1	AS		D
GCAB-0008QSZZ	34- 1	AM	N	D
GCAB-0010QSA	1- 17	AP	N	D
GCAB-0010QSZZ	1- 17	AM	N	D
GCAB-0026QSZA	1- 18	BA	N	D
GCAB-0026QSZZ	1- 18	AZ	N	D
GCOVA0005QSZZ	36- 1	AM	N	D
GCOVA0006QSZZ	36- 3	AN	N	D
GCOVA0007QSZZ	36- 10	AK	N	D
GCOVA0008QSZZ	36- 14	AK	N	D
GLEGG0064FCZZ	36- 7	AC		C
【J】				
JKNBZ0004QSZZ	35- 28	AD	N	C
【L】				
LBNDJ0013FCZ1	6- 28	AA		C
"	33- 15	AA		C
"	35- 10	AA		C
LBNDJ1002HCZZ	6- 29	AA		C
LBÖSZ1031FCZZ	37- 7	AC		C
LBÖSZ1508FCZZ	34- 19	AG		C
LBSHZ0303FCZZ	34- 20	AC		C
LFRM-0009QSZZ	37- 26	AR	N	C
LFRM-0011QSZZ	34- 35	AL	N	C
LFRM-0012QSZZ	35- 20	AD	N	C
LFRM-0013QSZZ	35- 12	AG	N	C
LHLDW1098HCZZ	6- 31	AB		C
LHLDW2133SCZZ	6- 30	AC		C
LPLTM0018QSZZ	12- 2	AN		C

PARTS CODE	NO.	PRICE RANK	NEW MARK	PART RANK
LPLTM0036QSZZ	36- 6	AF	N	C
LPLTM0088QSZZ	12- 2	AN		C
LPLTM0089QSZZ	12- 23	AH		C
LPLTM0096QSZZ	33- 30	AF	N	C
LPLTP0011QSZZ	33- 2	AH	N	C
LPLTP0012QSZZ	33- 3	AH	N	C
LPLTP0013QSZZ	35- 22	AD		C
LSÖU-0004QSZZ	33- 1	AX	N	D
LSÖU-0005QSZZ	33- 33	BB	N	D
LSTPP0001QSZZ	34- 5	AD		C
LX-BZ0012QSZZ	35- 3	AC	N	C
LX-BZ0016QSZZ	33- 31	AC	N	C
【M】				
MARMP0001QSZZ	35- 5	AF	N	C
MARMP0002QSZZ	34- 13	AD		C
MARMP0003QSZZ	34- 4	AE		C
MARMP0004QSZZ	34- 34	AF		C
MARMP0012QSZZ	36- 13	AD	N	C
MARMP0229FCZZ	37- 12	AE		C
MHNG-0003QSZZ	33- 21	AX	N	C
MHNG-0004QSZZ	33- 32	AX	N	C
MLEVP0009QSZZ	34- 9	AD		C
MLEVP0010QSZZ	34- 10	AE		C
MLEVP0033QSZZ	37- 16	AF	N	C
MLEVP0043QSZZ	12- 29	AD	N	C
MSPRC0062QSZZ	35- 23	AC		C
MSPRC0063QSZZ	35- 29	AB		C
MSPRC0115QSZZ	34- 33	AB		C
MSPRC0146QSZZ	12- 28	AB	N	C
MSPRC0149QSZZ	33- 37	AC	N	C
MSPRC1152FCZZ	37- 8	AE		C
MSPRC1316FCZ1	34- 18	AE		C
MSPRC2544FCZZ	36- 9	AC		C
MSPRC2545FCZZ	37- 13	AB		C
MSPRC2546FCZZ	37- 21	AB		C
MSPRD0058QSZZ	37- 17	AG	N	C
MSPRD0114QSZ1	34- 36	AD	N	C
MSPRP0059QSZZ	33- 7	AD		C
MSPRP0060QSZZ	33- 27	AD		C
MSPRP0065QSZZ	35- 24	AD		C
MSPRP0113QSZZ	33- 18	AD	N	C
MSPRT0061QSZZ	33- 26	AC	N	C
MSPRT0064QSZ1	35- 11	AC	N	C
MSPRT0066QSZ1	34- 25	AC	N	C
MSPRT0067QSZ1	34- 14	AB	N	C
MSPRT0112QSZ1	36- 12	AC	N	C
【N】				
NBLTT0003QSZZ	35- 27	AG	N	B
NBLTT0006QSZZ	35- 15	AG	N	B
NBRGC0098FCZZ	35- 18	AC		C
NBRGM5006BCZZ	35- 19	AB		C
NBRGZ1043HCZZ	37- 2	AD		C
NGERH0041QSZZ	37- 22	AF		C
NGERH0047QSZZ	35- 16	AF		C
NGERH0073QSZZ	34- 16	AE		C
NGERH0193FCZZ	33- 6	AB		C
NGERH0972FCZZ	35- 4	AB		C
NGERH0990FCZZ	34- 28	AB		C
"	37- 23	AB		C
NGERH0992FCZZ	34- 30	AB		C
"	37- 5	AB		C
NGERH1132FCZZ	37- 10	AH		C
NGERH1169FCZZ	11- 47	AF		C
NGERH1207FCZZ	37- 11	AF		C
NGERR0377FCZZ	33- 4	AD		C
NPLYZ0010QSZZ	34- 23	AE		C
NPLYZ0146FCZZ	35- 26	AB		C
NRÖLM0022QSZZ	35- 36	AP	N	C
NRÖLM0023QSZZ	35- 32	AP	N	C
NRÖLP0010QSZZ	33- 28	AD		C
NRÖLP0011QSZZ	33- 23	AD		C
NRÖLP0019QSZ1	37- 1	AP	N	C
NRÖLP0024QSZZ	34- 27	AL		C
NRÖLP1060FCZZ	36- 11	AF		C
NRÖLR0922FCZZ	34- 31	AR		C
NSFTZ0009QSZZ	33- 29	AE		C
NSFTZ0010QSZZ	33- 25	AE		C
NSFTZ0011QSZZ	34- 32	AG		C
NSFTZ0012QSZZ	34- 21	AG	N	C
【P】				
PBRSR0003QSZZ	35- 33	AL	N	B

PARTS CODE	NO.	PRICE RANK	NEW MARK	PART RANK
PCAPH1001ACZZ	12- 3	AE		C
PCOVP0036QSZZ	33- 8	AK	N	D
PCOVP0037QSZZ	35- 37	AH	N	D
PCOVP0038QSZZ	35- 38	AL	N	D
PCOVP0040QSZA	1- 28	AP	N	C
PCOVP0040QSZZ	1- 28	AN	N	C
PCOVP0041QSZZ	12- 27	AD	N	C
PCUSS0010QSZ1	33- 34	AV	N	C
PCUSS0011QSZZ	1- 27	AB	N	C
PFiLZ0001QS10	3- 1	AS	N	B
PFiLZ0001QS17	3- 1	AS	N	B
PFiLZ0001QSZ1	3- 1	AS	N	B
PGiDH0029QSZZ	35- 34	AL	N	C
PGiDM0015QSZZ	36- 8	AY	N	C
PGiDM0016QSZZ	36- 4	AY	N	C
PGiDM0019QSZA	6- 25	AH	N	C
PGiDM0019QSZZ	6- 25	AH	N	C
PGiDM0020QSZA	6- 26	AH	N	C
PGiDM0020QSZZ	6- 26	AH	N	C
PGiDM0024QSZZ	35- 30	AQ	N	C
PGiDM0042QSZZ	35- 1	AL	N	C
PGLSP0002QSZZ	1- 26	AU	N	B
PGSK-0002QSZZ	24-131	AD	N	C
PMLT-0028QSZZ	12- 31	AC	N	C
PPiPP0007QSZZ	37- 9	AD	N	C
PPiPP0008QSZZ	34- 17	AD		C
PSHEP0037QSZZ	33- 19	AF	N	C
PSHEP0038QSZZ	33- 16	AE	N	C
PSHEP0044QSZZ	35- 35	AF	N	C
PSHEP0063QSZZ	33- 17	AC	N	C
PSHEP3029FCZZ	35- 14	AA		C
PSHEZ0039QSZZ	35- 21	AG		C
PSHEZ0093QSZZ	1- 29	AC	N	C
PSHEZ0094QSZZ	1- 30	AC	N	C
PSHEZ0095QSZZ	1- 31	AD	N	C
PSHEZ0098QSZZ	12- 30	AE	N	C
PSHEZ0102QSZZ	33- 35	AD	N	C
PSHEZ0110QSZZ	24-132	AB	N	C
PSHEZ0111QSZZ	6- 32	AC	N	C
PSHEZ0112QSZZ	33- 36	AE	N	C
PSHEZ0115QSZZ	11- 49	AC	N	C
PSHEZ2174FCZZ	35- 25	AB		C
PSP0-0001QSZZ	33- 24	AB		C
PSP0-0002QSZZ	34- 2	AC		C
PTME-0008QSZZ	37- 20	AD	N	B
PTME-0009QSZZ	34- 26	AD		B
PTPE-0010QSZZ	1- 32	AC	N	C
[Q]				
QCNCM0011QSZZ	32- 1	AH		C
QCNCM0923FC14	24- 1	AE		C
QCNCM0923FC18	24- 2	AF		C
QCNCM0923FC24	24- 3	AF		C
QCNCM1005MCZZ	24- 4	AB		C
QCNCM1069AC0D	24- 5	AC		C
QCNCM1119LC0C	24- 6	AC		C
QCNCM1119LC0E	24- 7	AC		C
QCNCM2401SC0C	24- 8	AB		C
QCNCM2401SC0D	24- 9	AC		C
QCNCM2401SC0E	24- 10	AC		C
QCNCM2401SC0F	24- 11	AB		C
QCNCM7014SC0C	24- 12	AA		C
QCNCM7014SC0D	24- 13	AB		C
QCNCM7014SC0E	24- 14	AB		C
QCNCP0340QCZZ	24- 15	AC		C
QCNCW0012QSZZ	24- 16	AH		C
QCNCW0015QSZZ	24- 17	AE		C
QCNCW0024QSZZ	24- 18	AF	N	C
QCNCW0946FCZZ	31- 1	AH		C
QCNCW0948FCZ5	24- 19	AC		C
QCNCW1124LC0D	24- 20	AB		C
QCNCW1124LC0H	24- 21	AC		C
QCNCW1124LC1H	24- 22	AD		C
QCNCW1124LC2F	24- 23	AD		C
"	31- 2	AD		C
QCNCW-7212XCZZ	23- 18	AY		C
QSOCZ0002GCZZ	24- 24	AD		C
QSOCZ6408ACZZ	24- 25	AB		C
QSW-B0003QSZZ	37- 24	AF		B
QSW-P0005QSZZ	25- 4	AC		B
[R]				
RC-K1E104HCZZ	31- 3	AB		C

PARTS CODE	NO.	PRICE RANK	NEW MARK	PART RANK
RCiLZ0003QSZZ	24- 26	AC		C
RCiLZ0004QSZZ	24- 27	AE		C
RCiLZ1032CCZZ	24- 28	AD		C
RCRSZ0001QSZZ	24- 29	AG		B
RCRSZ0002QSZZ	24- 30	AP		B
RCRSZ0003QSZZ	24- 31	AP		B
RDTCT0004QSZZ	35- 31	AL		B
RH-DZ0016FCZZ	24- 32	AB		B
RM0TP0013QSZZ	35- 7	BB	N	B
RMPTW4100QCJJ	24- 33	AA	N	B
RMPTW4102QCJJ	24- 34	AB		B
RMPTW4203QCJJ	24- 35	AA		B
RMPTW4300QCJJ	24- 36	AA	N	C
RMPTW4470QCJJ	24- 37	AB		B
RPLU-0004QSZZ	34- 11	AQ		B
RPLU-0010QSZZ	37- 18	AN	N	B
RRLYD342BQCZZ	24- 38	AL		B
RTRNZ0610PACD	30- 51	AW		B
RTRNZ0628PACD	30- 51	AU	N	B
[S]				
SPAKA0062QSZZ	23- 2	AQ	N	D
SPAKA0063QSZZ	23- 1	AQ	N	D
SPAKA0064QSZZ	23- 14	AC	N	D
SPAKA0066QSZZ	23- 9	AY	N	D
SPAKA0068QSZZ	23-104	AD		D
SPAKA0106QSZZ	23- 9	AY	N	D
SPAKA5116FCZZ	23-107	AB		D
SPAKC0107QS12	23- 10	BA	N	D
SPAKC0107QS13	23- 10	BA	N	D
SPAKC0107QS15	23- 10	BA	N	D
SPAKC0107QSZZ	23- 10	BA	N	D
SPAKC0108QS12	23- 10	BA	N	D
SPAKC0108QSZZ	23- 10	BA	N	D
SPAKC0109QS11	23- 10	BA	N	D
SPAKC0109QS12	23- 10	BA	N	D
SPAKC0109QS13	23- 10	BA	N	D
SPAKC0109QS14	23- 10	BA	N	D
SPAKC0109QS15	23- 10	BA	N	D
SPAKC0109QSZZ	23- 10	BA	N	D
[T]				
TCADS0764FCZ2	23-102	AE	N	D
TCADZ0030GCZZ	23-106	AD		D
TiNSE0089QSZZ	23- 7	AY	N	D
TiNSE0092QSZZ	23- 7	AY	N	D
TiNSE0094QSZZ	23- 7	AU	N	D
TiNSE0097QSZZ	23- 7	AY	N	D
TiNSF0088QSZZ	23- 7	AY	N	D
TiNSF0095QSZZ	23- 7	AT	N	D
TiNSZ0098QSZZ	23- 7	AY	N	D
TiNSZ0099QSZZ	23- 7	AY	N	D
TLABH0056QSZ1	1- 11	AG	N	C
[V]				
VCCCCY1HH101J	24- 39	AA		C
VCCCCY1HH120J	24- 40	AA		C
VCCCCY1HH180J	24- 41	AA		C
VCCCCY1HH330J	24- 42	AA		C
VCCCCY1HH470J	24- 43	AA		C
VCCCPA1HH180J	24-133	AA		C
VCCCTV1HH101J	31- 4	AA		C
VCCCTV1HH330J	31- 5	AA		C
VCCCTV1HH561J	31- 6	AA		C
VCEAGA1VW106M	24- 51	AA		C
VCEAGA1VW226M	24- 52	AC		C
VCEAGU1CW106M	24- 44	AA		C
VCEAGU1CW107M	24- 45	AB		C
VCEAGU1CW226M	24- 46	AA		C
VCEAGU1CW476M	24- 47	AB		C
"	31- 7	AB		C
VCEAGU1EW106M	24- 48	AA		C
VCEAGU1EW476M	24- 49	AB		C
VCEAGU1HW474M	24- 50	AA		C
VCEAGU1VW476M	24- 53	AB		C
VCKYCY1CF104Z	24- 54	AA		C
VCKYCY1EB223K	24- 55	AA		C
VCKYCY1HB102K	24- 56	AA		C
VCKYCY1HB222K	24- 57	AA		C
VCKYCY1HB471K	24- 58	AB		C
VCKYTV1HF104Z	32- 2	AA		C
VCKYTV1HB102K	31- 8	AA		C
VCKYTV1HB223K	31- 9	AA		C
"	32- 3	AA		C



# SHARP

**COPYRIGHT © 1998 BY SHARP CORPORATION**

All rights reserved.

Printed in Japan.

No part of this publication may be reproduced,  
stored in a retrieval system, or transmitted,  
in any form or by any means,  
electronic, mechanical, photocopying, recording, or otherwise,  
without prior written permission of the publisher.

**SHARP CORPORATION**  
**Printing & Reprographic Systems Group**  
**Quality & Reliability Control Center**  
**Yamatokoriyama, Nara 639-1186, Japan**  
1998 November Printed in Japan ©