

RENAULT

7 Trim and upholstery

71A BODY INTERNAL TRIM

72A SIDE OPENING ELEMENT TRIM

73A NON-SIDE OPENING ELEMENTS TRIM

75A FRONT SEAT FRAMES AND MECHANISMS

76A REAR SEAT FRAMES AND MECHANISMS

77A FRONT SEAT TRIM

78A REAR SEAT TRIM

79A SEAT ACCESSORIES

X44

JUNE 2009

EDITION ANGLAISE

"The repair procedures given by the manufacturer in this document are based on the technical specifications current when it was prepared.

The procedures may be modified as a result of changes introduced by the manufacturer in the production of the various component units and accessories from which the vehicles are constructed".

All rights reserved by Renault.

Copying or translating, in part or in full, of this document or use of the service part reference numbering system is forbidden without the prior written authority of Renault.

TWINGO - Section 7

Contents

Pages

71A	BODY INTERNAL TRIM		73A	NON-SIDE OPENING ELEMENTS TRIM	
	Floor carpet: Removal - Refitting	71A-1		Tailgate trim: Removal - Refitting	73A-1
	Luggage compartment carpet: Removal - Refitting	71A-3			
	Headlining: Removal - Refitting	71A-4	75A	FRONT SEAT FRAMES AND MECHANISMS	
	Front door sill lining: Removal - Refitting	71A-7		Front seat base frame: Removal - Refitting	75A-1
	Rear wheel arch trim: Removal - Refitting	71A-8		Front seatback frame: Removal - Refitting	75A-2
	Windscreen pillar trim: Removal - Refitting	71A-9		Front seat runner: Removal - Refitting	75A-6
	B-pillar upper trim: Removal - Refitting	71A-10		Complete front seat: Removal - Refitting	75A-8
	Quarter panel trim: Removal - Refitting	71A-12	76A	REAR SEAT FRAMES AND MECHANISMS	
	Rear panel lining: Removal - Refitting	71A-14		Complete rear seat: Removal - Refitting	76A-1
	Rear parcel shelf side trim: Removal - Refitting	71A-15		Folding rear seat frame: Removal - Refitting	76A-3
	Rear loading trim: Removal - Refitting	71A-16		Rear seat runner: Removal - Refitting	76A-4
72A	SIDE OPENING ELEMENT TRIM			Rear bench seatback: Removal - Refitting	76A-5
	Front side door trim: Removal - Refitting	72A-1		Rear bench seat base: Removal - Refitting	76A-6

Contents

77A FRONT SEAT TRIM

Front seat base trim: Removal - Refitting	77A-1
Front seatback trim: Removal - Refitting	77A-4

78A REAR SEAT TRIM

Rear seat base trim: Removal - Refitting	78A-1
Rear seatback trim: Removal - Refitting	78A-4
Single unit rear bench seatback trim: Removal - Refitting	78A-6
Single unit rear bench seat base trim: Removal - Refitting	78A-7

79A SEAT ACCESSORIES

Heated seat pad: Removal - Refitting	79A-1
-----------------------------------------	-------

BODY INTERNAL TRIM

Floor carpet: Removal - Refitting

71A

Equipment required

Diagnostic tool

IMPORTANT

To avoid any risk of triggering when working on or near a pyrotechnic component (airbags or pretensioners), lock the airbag computer using the diagnostic tool.

When this function is activated, all the trigger lines are inhibited and the airbag warning light on the instrument panel lights up continuously (ignition on).

IMPORTANT

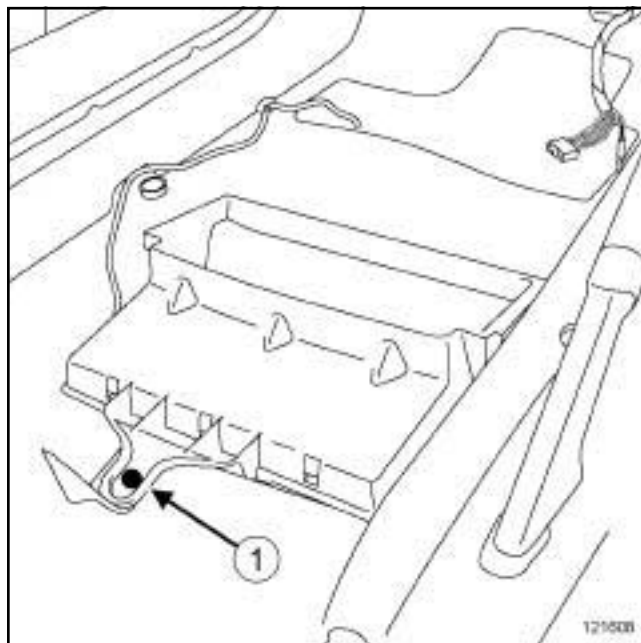
Never handle the pyrotechnic systems (pretensioners or airbags) near to a source of heat or naked flame - they may be triggered.

REMOVAL

I - REMOVAL PREPARATION OPERATION

- Lock the airbag computer using the **Diagnostic tool** (see **Fault finding - Replacement of components**) (MR 413, 88C, Airbags and pretensioners).
- Disconnect the battery (see **Battery: Removal - Refitting**).
- Remove:
 - the front seats completely (see **75A, Front seat frames and mechanisms, Complete front seat: Removal - Refitting**, page 75A-8),
 - the rear seats completely (depending on equipment level) (see **76A, Rear seat frames and mechanisms, Complete rear seat: Removal - Refitting**, page 76A-1),
 - the rear bench seat base (depending on equipment level) (see **76A, Rear seat frames and mechanisms, Rear bench seat base: Removal - Refitting**, page 76A-6),
 - the rear bench seatback (depending on equipment level) (see **76A, Rear seat frames and mechanisms, Rear bench seatback: Removal - Refitting**, page 76A-5),
 - the centre front panel (see **Centre front panel: Removal - Refitting**) (MR 412, 57A, Interior equipment),

- the centre console (see **Centre console: Removal - Refitting**) (MR 412, 57A, Interior equipment),
- the rear parcel shelf side trim (see **71A, Body internal trim, Rear parcel shelf side trim: Removal - Refitting**, page 71A-15),
- the rear panel trim (see **71A, Body internal trim, Rear panel lining: Removal - Refitting**, page 71A-14),
- the front door sill lining (see **71A, Body internal trim, Front door sill lining: Removal - Refitting**, page 71A-7).



121608

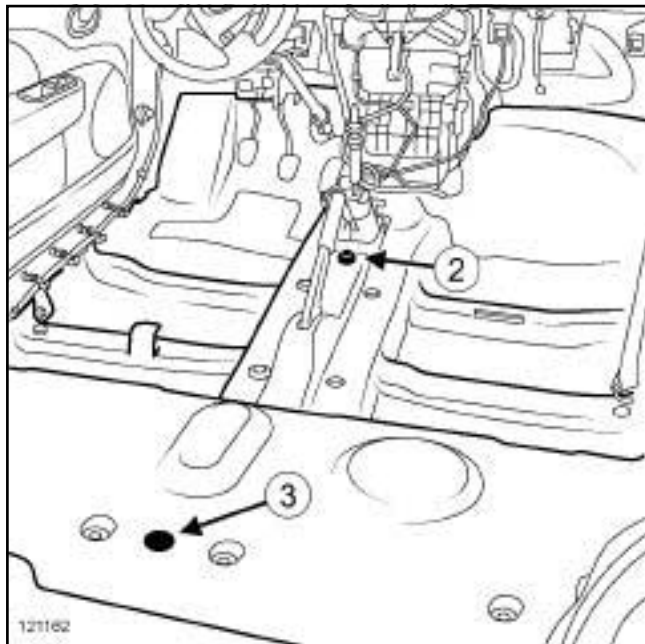
- Remove:
 - the bolt (1),
 - the storage compartment under the front seat.

BODY INTERNAL TRIM

Floor carpet: Removal - Refitting

71A

II - OPERATION FOR REMOVAL OF PART CONCERNED



121162

❑ Remove:

- the centring pin (2) from the centre console,
- the clip (3) ,
- the floor carpet.

REFITTING

I - REFITTING OPERATION FOR PART CONCERNED

❑ Fit the seat wiring.

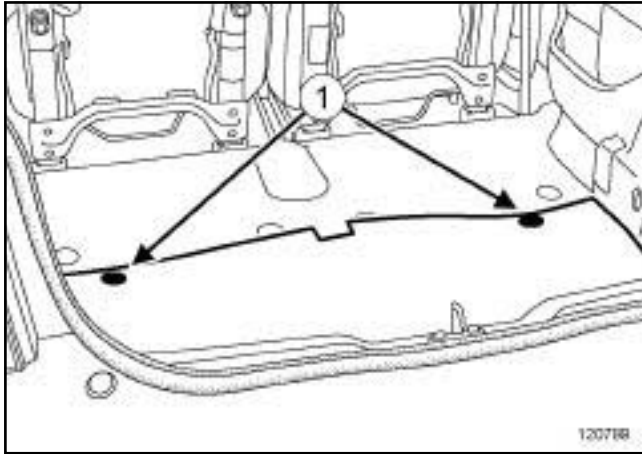
❑ Refit:

- the floor carpet,
- the clip (3) ,
- the centre console centring pin (2) .

II - FINAL OPERATION.

❑ Refit:

- the storage compartment under the front seat,
 - the bolt (1) ,
 - the front door sill lining (see 71A, **Body internal trim, Front door sill lining: Removal - Refitting**, page 71A-7) ,
 - the rear panel trim (see 71A, **Body internal trim, Rear panel lining: Removal - Refitting**, page 71A-14) ,
 - the rear parcel shelf side trim (see 71A, **Body internal trim, Rear parcel shelf side trim: Removal - Refitting**, page 71A-15) ,
 - the centre front panel (see **Centre front panel: Removal - Refitting**) (MR 412, 57A, Interior equipment),
 - the centre console (see **Centre console: Removal - Refitting**) (MR 412, 57A, Interior equipment),
 - the rear bench seatback (depending on equipment level) (see 76A, **Rear seat frames and mechanisms, Rear bench seatback: Removal - Refitting**, page 76A-5) ,
 - the rear bench seat base (depending on equipment level) (see 76A, **Rear seat frames and mechanisms, Rear bench seat base: Removal - Refitting**, page 76A-6) ,
 - the rear seats completely (depending on equipment level) (see 76A, **Rear seat frames and mechanisms, Complete rear seat: Removal - Refitting**, page 76A-1) ,
 - the front seats completely (see 75A, **Front seat frames and mechanisms, Complete front seat: Removal - Refitting**, page 75A-8) .
- #### ❑ Connect the battery (see **Battery: Removal - Refitting**) .
- #### ❑ Unlock the airbag computer using **Diagnostic tool** (see **Fault finding - Replacement of components**) (MR 413, 88C, Airbags and pretensioners).

Luggage compartment carpet: Removal - Refitting**REMOVAL****OPERATION FOR REMOVAL OF PART CONCERNED**

120799

 Remove:

- the clips (1) ,
- the luggage compartment carpet.

REFITTING**REFITTING OPERATION FOR PART CONCERNED** Refit:

- the luggage compartment carpet,
- the clips (1) .

BODY INTERNAL TRIM

Headlining: Removal - Refitting

71A

Equipment required

Diagnostic tool

IMPORTANT

To avoid any risk of triggering when working on or near a pyrotechnic component (airbags or pretensioners), lock the airbag computer using the diagnostic tool.

When this function is activated, all the trigger lines are inhibited and the airbag warning light on the instrument panel lights up continuously (ignition on).

IMPORTANT

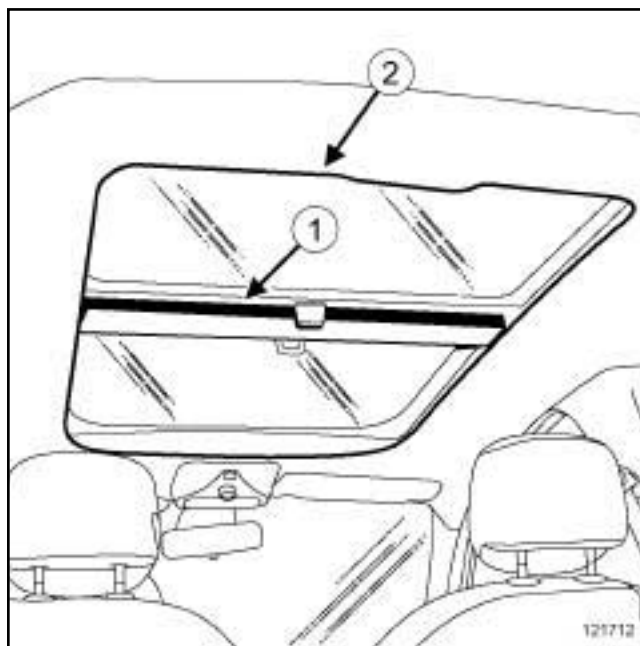
Never handle the pyrotechnic systems (pretensioners or airbags) near to a source of heat or naked flame - they may be triggered.

REMOVAL

I - REMOVAL PREPARATION OPERATION

- Lock the airbag computer using **Diagnostic tool** (see **Fault finding - Replacement of components**) (MR 413, 88C, Airbags and pretensioners).
- Disconnect the battery (see **Battery: Removal - Refitting**) (MR 411, 80A, Battery).
- Partially remove the front side door and tailgate seals.

OPENING ROOF



121712

- Unclip the trim piece (1) from the sun visor shutter cross member mounting.
- Remove:
 - the finishing seal (2) from the sunroof
 - the sunroof switch plate (see **Sunroof switch: Removal - Refitting**) (MR 411, 87D, Electric window winders - Sunroof).
- Remove:
 - the interior lights (see **Interior light: Removal - Refitting**) (MR 411, 81B, Interior lights),
 - the sun visors (see **Sun visor: Removal - Refitting**) (MR 412, 57A, Interior equipment),
 - the windscreen pillar trims (see **71A, Body internal trim, Windscreen pillar trim: Removal - Refitting**, page **71A-9**),
 - the rear bench seatback (depending on equipment level) (see **76A, Rear seat frames and mechanisms, Rear bench seatback: Removal - Refitting**, page **76A-5**) (MR 412, 76A, Rear seat frame and runners),
 - the rear parcel shelf side trim panels (see **71A, Body internal trim, Rear parcel shelf side trim: Removal - Refitting**, page **71A-15**),
 - the rear panel trims (see **71A, Body internal trim, Rear panel lining: Removal - Refitting**, page **71A-14**),

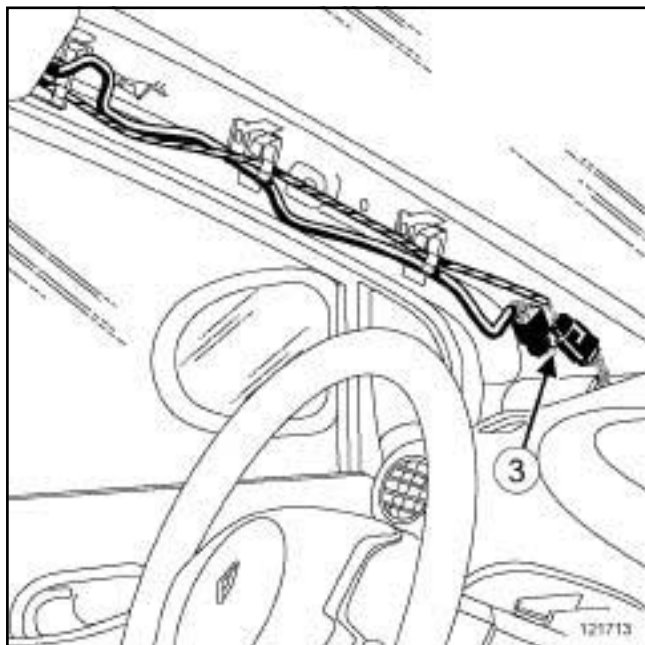
BODY INTERNAL TRIM

Headlining: Removal - Refitting

71A

- the B-pillar upper trims (see 71A, **Body internal trim, B-pillar upper trim: Removal - Refitting**, page 71A-10) ,

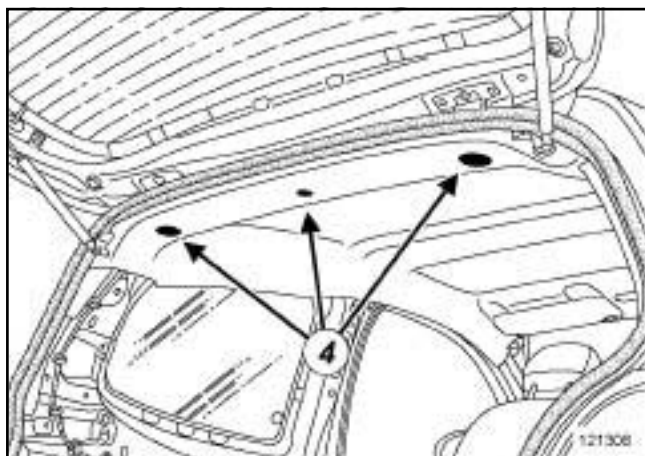
- the rear quarter panel trims (see 71A, **Body internal trim, Quarter panel trim: Removal - Refitting**, page 71A-12) .



121713

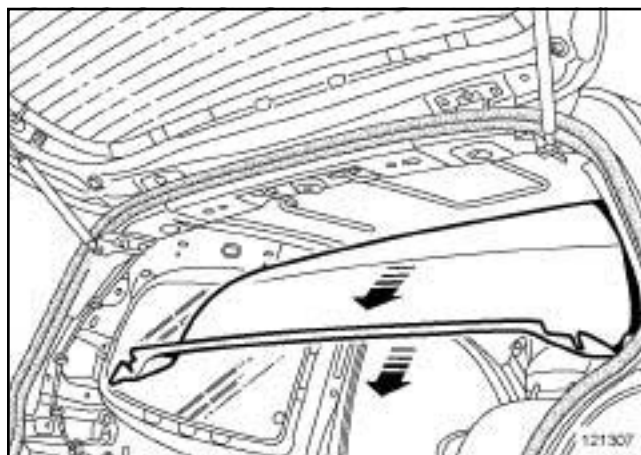
- Disconnect the interior light and sunroof connectors (3) (depending on equipment level).
- Detach the interior light and sunroof wiring harnesses (depending on equipment level).

II - OPERATION FOR REMOVAL OF PART CONCERNED



121306

- Unclip the clips (4) .



121307

- Remove the headlining.

OPENING ROOF

-

Note:

The headlining is held in place with velcro strips, take care not to damage them during the removal operation.

The headlining must be handled with care after it has been removed, cutting the sunroof weakens the side edges.

- Remove the headlining (this operation requires two people).

REFITTING

I - REFITTING PREPARATION OPERATION

- Level off any residual cement beading on the roof.
- Carefully remove any residual cement beading from the headlining.

II - REFITTING OPERATION FOR PART CONCERNED

- Apply adhesive to the headlining (part no. 77 11 218 570).
- Bond the headlining (this operation requires two people).

BODY INTERNAL TRIM

Headlining: Removal - Refitting

71A

OPENING ROOF

- Refit the headlining (this operation requires two people).

- Refit clips (4).

III - FINAL OPERATION.

- Refit the interior light and sunroof wiring harnesses (depending on equipment level).
- Connect the interior light and sunroof connectors (3) (depending on equipment level).
- Refit:
 - the interior lights (see **Interior light: Removal - Refitting**) (MR 411, 81B, Interior lights),
 - the sun visors (see **Sun visor: Removal - Refitting**) (MR 412, 57A, Interior equipment),
 - the windscreen pillar trims (see **71A, Body internal trim, Windscreen pillar trim: Removal - Refitting**, page 71A-9),
 - the rear quarter panel trims (see **71A, Body internal trim, Quarter panel trim: Removal - Refitting**, page 71A-12).
 - the B-pillar upper trims (see **71A, Body internal trim, B-pillar upper trim: Removal - Refitting**, page 71A-10),
 - the rear panel trims (see **71A, Body internal trim, Rear panel lining: Removal - Refitting**, page 71A-14),
 - the rear parcel shelf side trim panels (see **71A, Body internal trim, Rear parcel shelf side trim: Removal - Refitting**, page 71A-15),
 - the rear bench seatback (depending on equipment level) (see **76A, Rear seat frames and mechanisms, Rear bench seatback: Removal - Refitting**, page 76A-5) (MR 412, 76A, Rear seat frame and runners),

OPENING ROOF

- Refit:

- the sunroof switch plate (see **Sunroof switch: Removal - Refitting**) (MR 411, 87D, Electric window winders - Sunroof),
- the sunroof finishing seal (2).

- Fit the sun visor headlining cross member mounting trim piece (1).

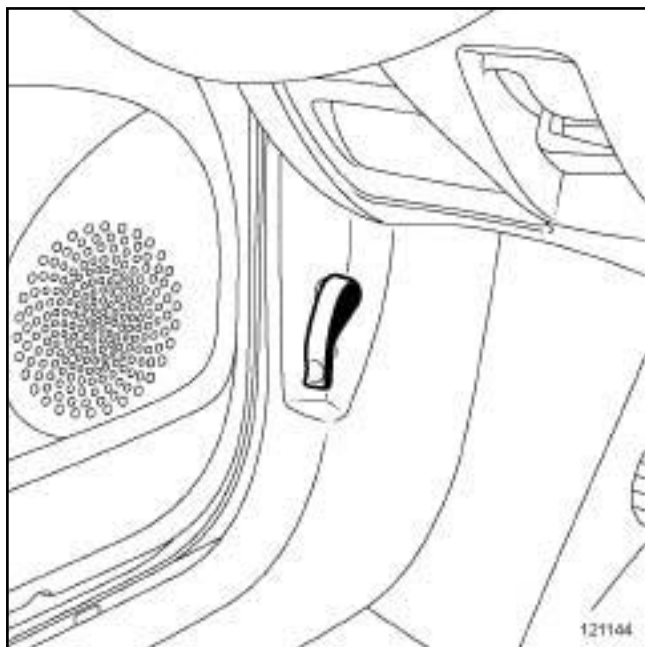
- Refit the front side door and tailgate seals.

- Connect the battery (see **Battery: Removal - Refitting**) (MR 411, 80A, Battery).

- Unlock the airbag computer using **Diagnostic tool** (see **Fault finding - Replacement of components**) (MR 413, 88C, Airbags and pretensioners).

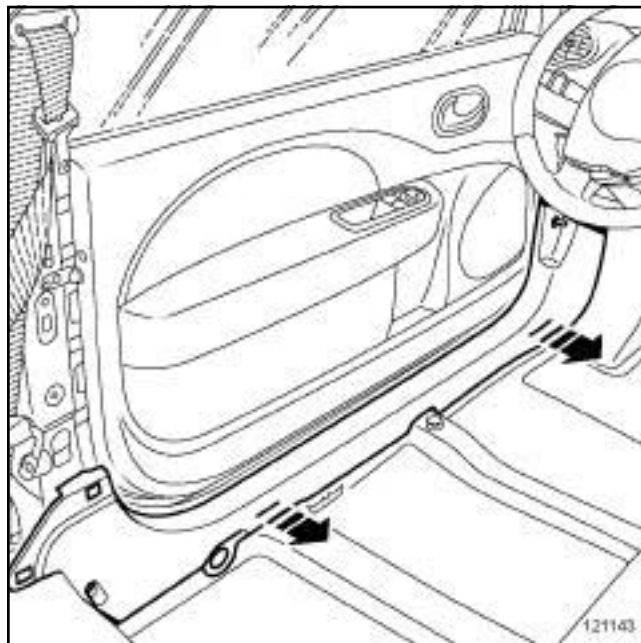
REMOVAL

I - REMOVAL PREPARATION OPERATION



- Unclip the bonnet release catch.
- Partially remove the front side door seal.
- Remove:
 - the front seat belt lower mounting (see **Front seat belt: Removal - Refitting**) (MR 412, 59A, Safety equipment),
 - the rear parcel shelf side trim (see **71A, Body internal trim, Rear parcel shelf side trim: Removal - Refitting**, page 71A-15) ,
 - the rear panel trim (see **71A, Body internal trim, Rear panel lining: Removal - Refitting**, page 71A-14) .

II - OPERATION FOR REMOVAL OF PART CONCERNED



- Unclip the front door sill lining.

Note:

The front seat does not need to be removed to remove the front door sill lining.

REFITTING

I - REFITTING OPERATION FOR PART CONCERNED

- Clip on the front door sill lining.

II - FINAL OPERATION.

- Refit:
 - the rear panel trim (see **71A, Body internal trim, Rear panel lining: Removal - Refitting**, page 71A-14) ,
 - the rear parcel shelf side trim (see **71A, Body internal trim, Rear parcel shelf side trim: Removal - Refitting**, page 71A-15) ,
 - the front seat belt lower mounting (see **Front seat belt: Removal - Refitting**) (MR 412, 59A, Safety equipment),
 - the front side door seal.
- Fit the bonnet release catch.

BODY INTERNAL TRIM

Rear wheel arch trim: Removal - Refitting

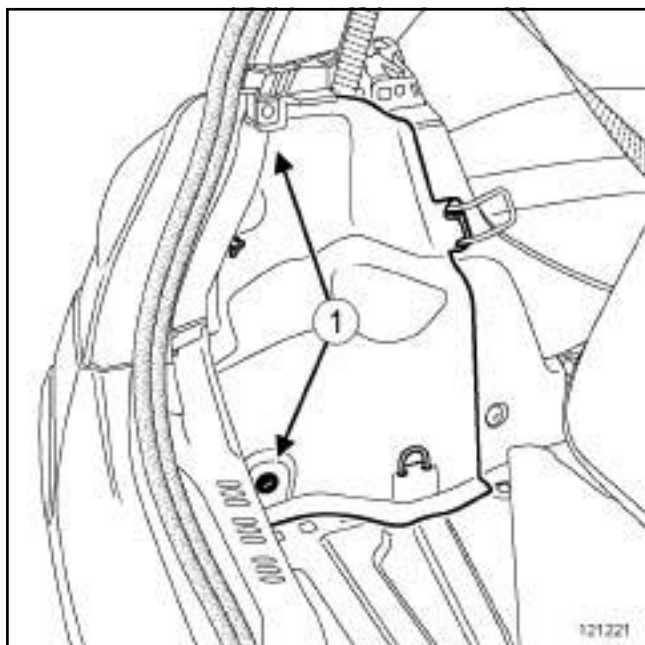
71A

REMOVAL

I - REMOVAL PREPARATION OPERATION

- Partially remove the luggage compartment carpet.
- Remove:
 - the rear parcel shelf (depending on equipment level),
 - the rear parcel shelf side trim (see **71A, Body internal trim, Rear parcel shelf side trim: Removal - Refitting**, page **71A-15**) .

II - OPERATION FOR REMOVAL OF PART CONCERNED



121221

- Remove:
 - the clips (1) ,
 - the wheel arch lining.

REFITTING

I - REFITTING OPERATION FOR PART CONCERNED

- Refit:
 - the wheel arch lining,
 - the clips (1) .

II - FINAL OPERATION.

- Refit:
 - the rear parcel shelf side trim (see **71A, Body internal trim, Rear parcel shelf side trim: Removal - Refitting**, page **71A-15**) ,
 - the rear parcel shelf (depending on equipment level).
- Refit the luggage compartment carpet.

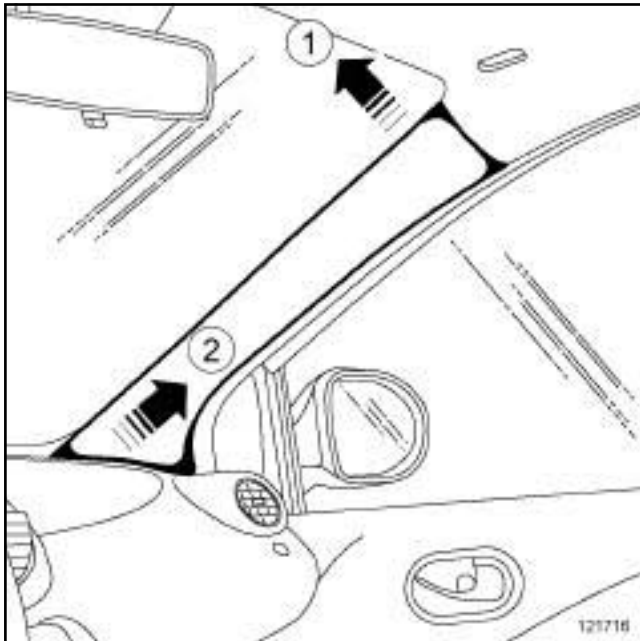
Windscreen pillar trim: Removal - Refitting

REMOVAL

I - REMOVAL PREPARATION OPERATION

- Partially remove the front side door seal.

II - OPERATION FOR REMOVAL OF PART CONCERNED



- Unclip the windscreen pillar trim in the direction and order shown.

REFITTING

I - REFITTING OPERATION FOR PART CONCERNED

- Refit the windscreen pillar trim.

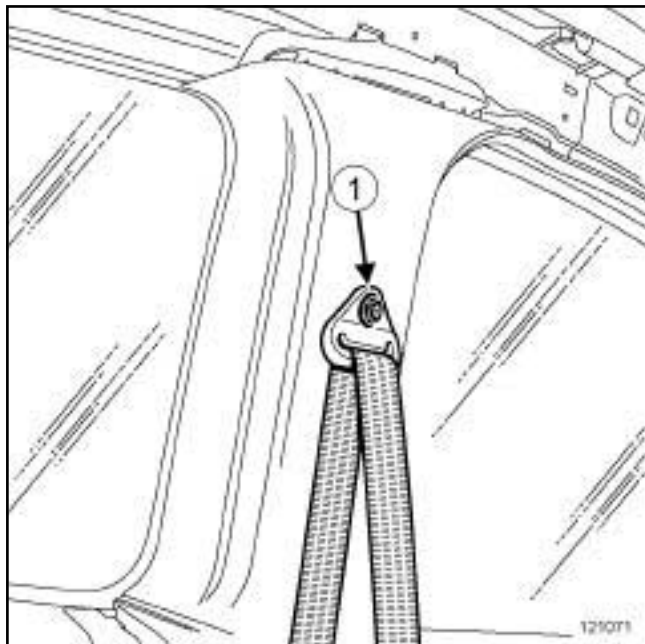
II - FINAL OPERATION.

- Refit the front side door seal.

REMOVAL

I - REMOVAL PREPARATION OPERATION

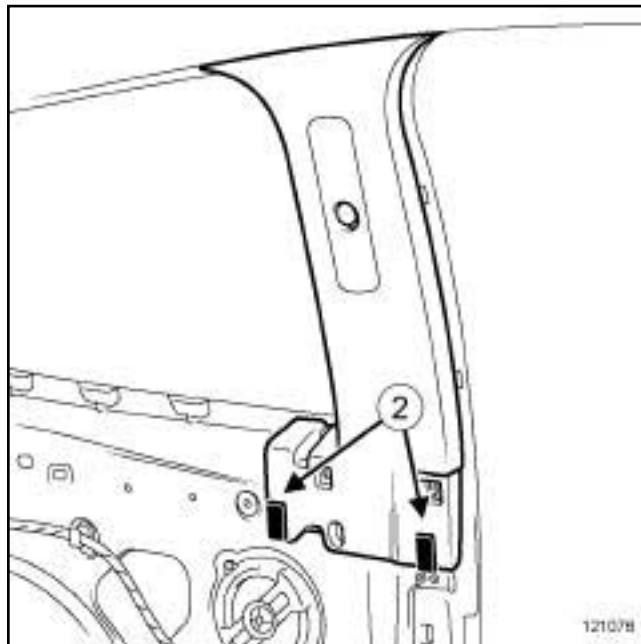
- Partially remove the door seal.



- Remove:

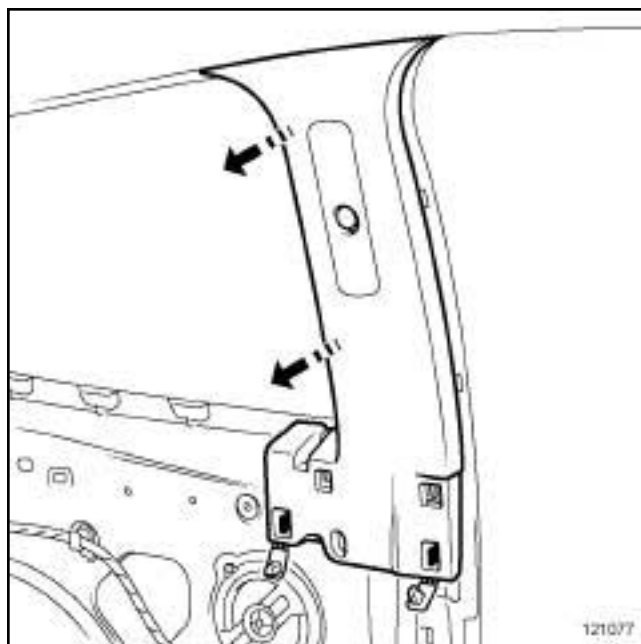
- the seat belt return reel (1) (see **Front seat belt: Removal - Refitting**) (MR 412, 59A, Safety equipment),
- the rear panel trim (see 71A, **Body internal trim, Rear panel lining: Removal - Refitting**, page 71A-14) .

II - OPERATION FOR REMOVAL OF PART CONCERNED



- Unclip:

- the covers (2) ,
- the B-pillar upper trim at (2) .



- Remove the B-pillar upper trim.

BODY INTERNAL TRIM

B-pillar upper trim: Removal - Refitting

71A

REFITTING

I - REFITTING OPERATION FOR PART CONCERNED

- Refit the B-pillar upper trim.
- Fit the B-pillar upper trim at **(2)** .

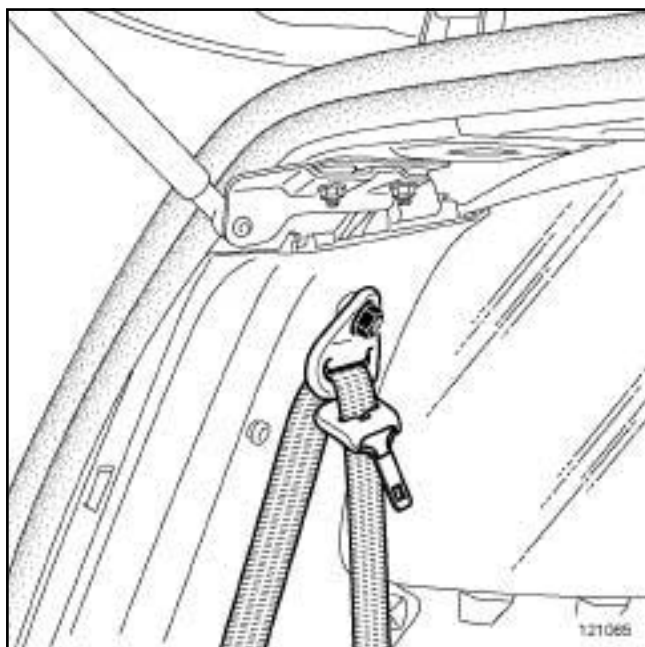
II - FINAL OPERATION.

- Refit:
 - the rear panel trim (see **71A, Body internal trim, Rear panel lining: Removal - Refitting**, page **71A-14**) ,
 - the seat belt return reel **(1)** (see **Front seat belt: Removal - Refitting**) (MR 412, 59A, Safety equipment),
 - the door seal.

REMOVAL

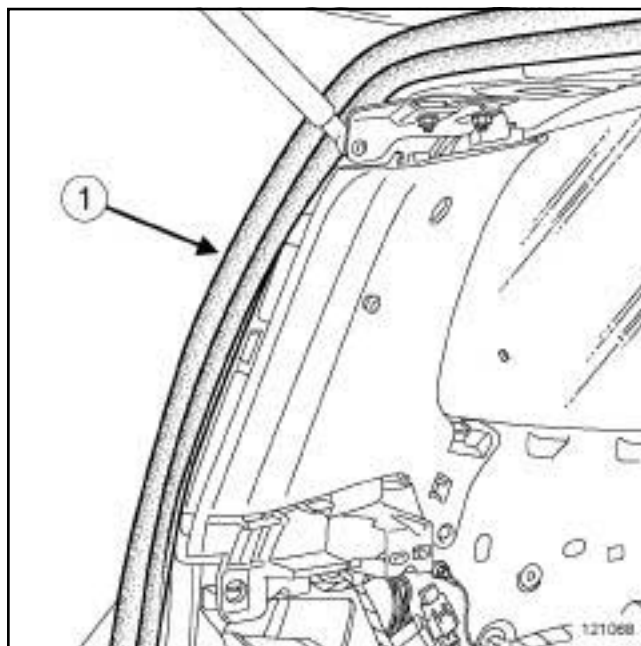
I - REMOVAL PREPARATION OPERATION

- Pull the rear seats down or remove the rear bench seatback (depending on equipment level) (see **76A, Rear seat frames and mechanisms, Rear bench seatback: Removal - Refitting**, page 76A-5) .
- Remove:
 - the rear parcel shelf side trim (see **71A, Body internal trim, Rear parcel shelf side trim: Removal - Refitting**, page 71A-15) ,
 - the rear panel trim (see **71A, Body internal trim, Rear panel lining: Removal - Refitting**, page 71A-14) .



121065

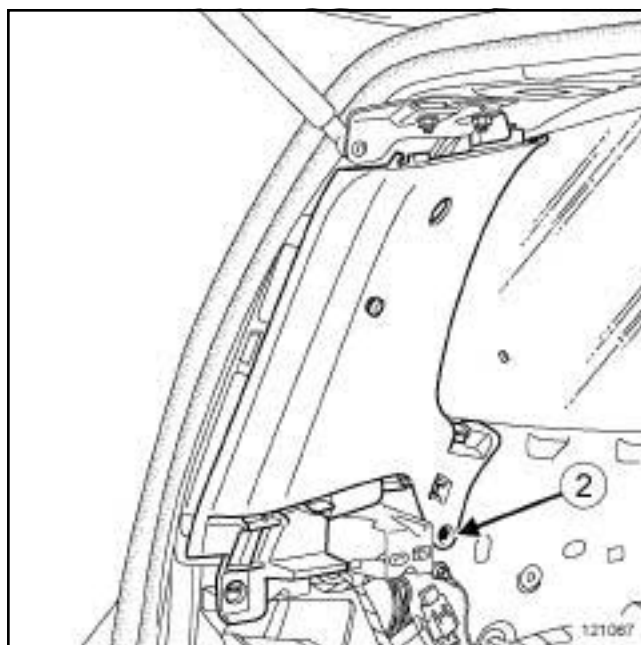
- Remove the rear seat belt return reel (see **Rear seat belt: Removal - Refitting**) (MR 412, 59A, Safety equipment).



121068

- Partially remove the luggage compartment seal. (1)

II - OPERATION FOR REMOVAL OF PART CONCERNED



121067

- Remove the bolt (2) .
- Unclip the rear quarter panel trim.
- Remove the rear quarter panel trim.

BODY INTERNAL TRIM

Quarter panel trim: Removal - Refitting

71A

REFITTING

I - REFITTING OPERATION FOR PART CONCERNED

- Refit the rear quarter panel lining.
- Clip the rear quarter panel trim.
- Refit the bolt **(2)** .

II - FINAL OPERATION.

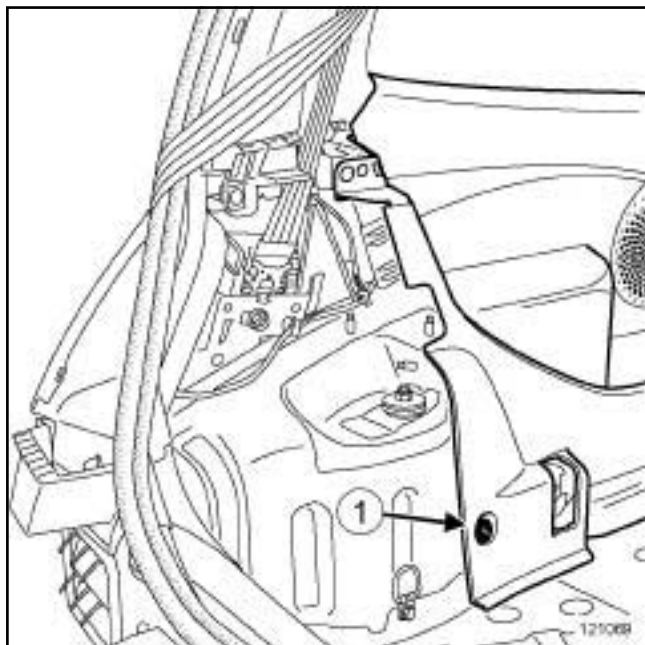
- Refit:
 - the luggage compartment seal, **(1)**
 - the rear seat belt return reel (see **Rear seat belt: Removal - Refitting**) (MR 412, 59A, Safety equipment),
 - the rear panel trim (see **71A, Body internal trim, Rear panel lining: Removal - Refitting**, page **71A-14**) ,
 - the rear parcel shelf side trim (see **71A, Body internal trim, Rear parcel shelf side trim: Removal - Refitting**, page **71A-15**) .
- Pull the rear seats down or refit the rear bench seatback (depending on equipment level) (see **76A, Rear seat frames and mechanisms, Rear bench seatback: Removal - Refitting**, page **76A-5**) .

REMOVAL

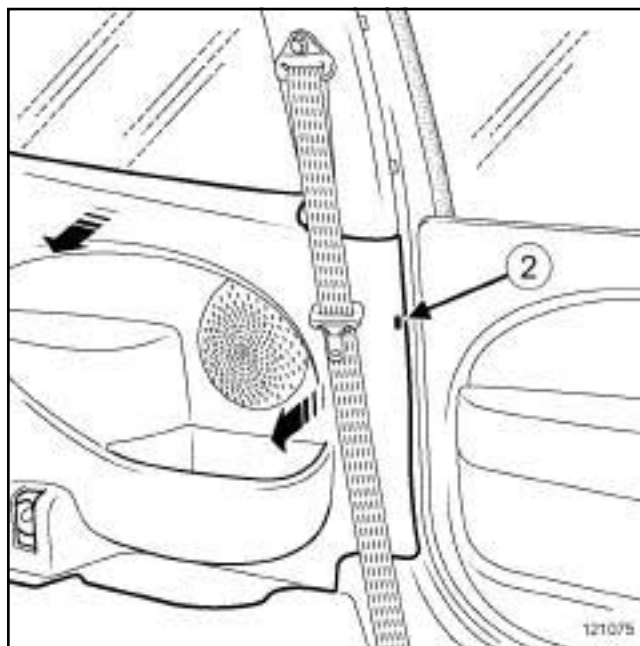
I - REMOVAL PREPARATION OPERATION

- Pull the rear seats down or remove the rear bench seatback (depending on equipment level) (see **76A, Rear seat frames and mechanisms, Rear bench seatback: Removal - Refitting**, page 76A-5) .
- Remove the rear parcel shelf side trim (see **71A, Body internal trim, Rear parcel shelf side trim: Removal - Refitting**, page 71A-15) .
- Partially remove the front side door seal.

II - OPERATION FOR REMOVAL OF PART CONCERNED



- Remove the clip (1) .



121075

- Remove the bolt (2) .
- Unclip the rear panel trim.

REFITTING

I - REFITTING OPERATION FOR PART CONCERNED

- Fit the rear panel trim.
- Refit:
 - the bolt (2) ,
 - the clip (1) .

II - FINAL OPERATION.

- Refit:
 - the front side door seal,
 - the rear parcel shelf side trim (see **71A, Body internal trim, Rear parcel shelf side trim: Removal - Refitting**, page 71A-15) .
- Pull the rear seats down or refit the rear bench seatback (depending on equipment level) (see **76A, Rear seat frames and mechanisms, Rear bench seatback: Removal - Refitting**, page 76A-5) .

Rear parcel shelf side trim: Removal - Refitting

REMOVAL

OPERATION FOR REMOVAL OF PART CONCERNED

- Partially remove the tailgate seal.



121066

- Remove the bolts (1) .
- Detach the rear parcel shelf side trim.
- Disconnect the luggage compartment light.

REFITTING

REFITTING OPERATION FOR PART CONCERNED

- Connect the luggage compartment light.
- Clip on the rear parcel shelf side trim.
- Refit:
 - the bolts (1) ,
 - the tailgate seal.

BODY INTERNAL TRIM

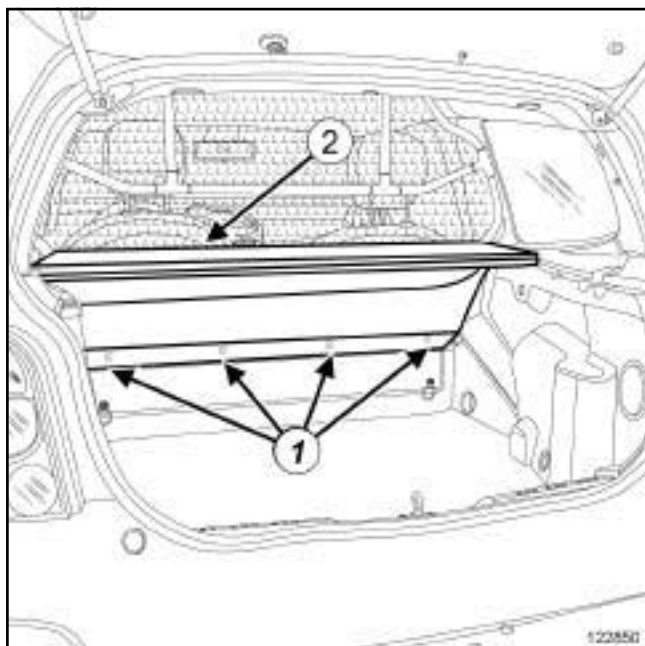
Rear loading trim: Removal - Refitting

71A

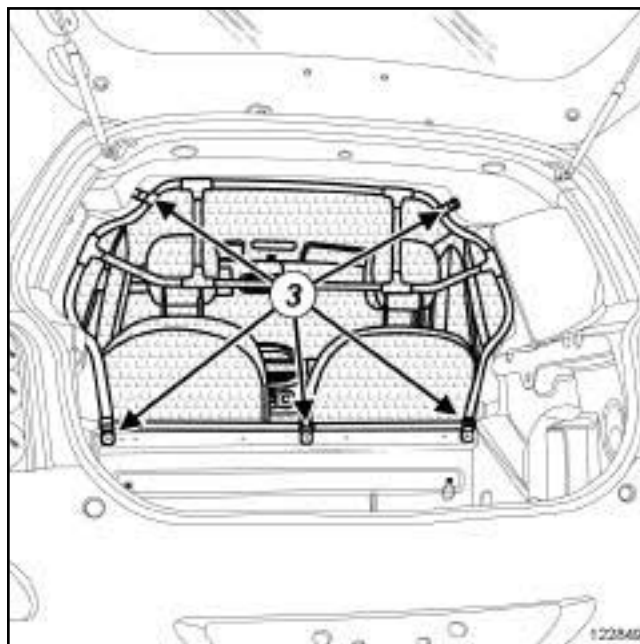
G44

REMOVAL

I - REMOVAL PREPARATION OPERATION

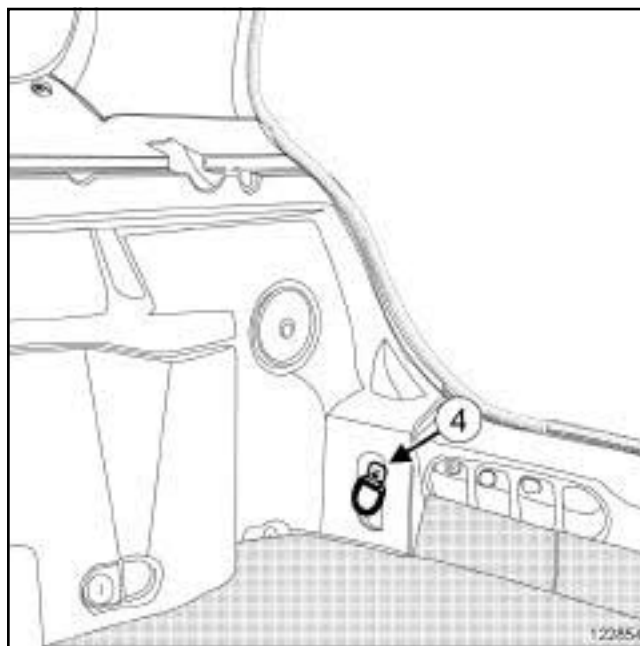


- Remove:
 - the clips (1) ,
 - the rear parcel shelf (2) ,
 - the luggage compartment carpet.



- Tilt the front seat backrest.
- Remove:
 - the bolts (3) ,
 - the partition panel.
- Partially remove the tailgate seal.

II - OPERATION FOR REMOVAL OF PART CONCERNED



- Remove:
 - the bolts (4) ,

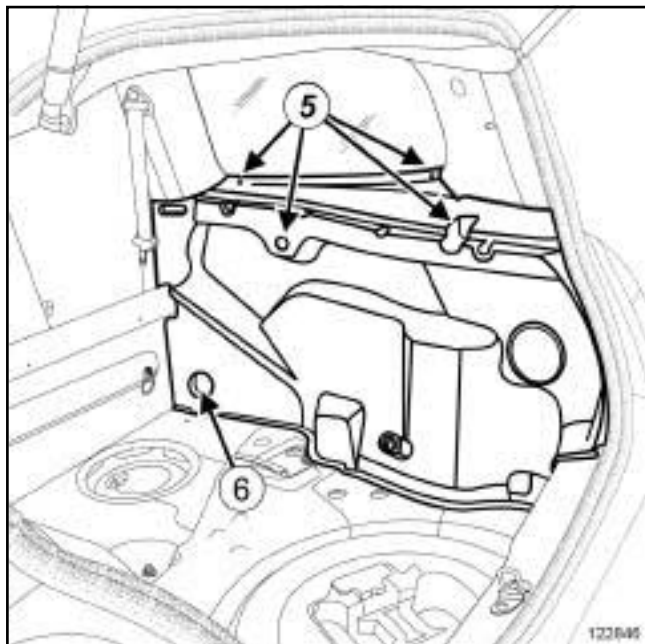
BODY INTERNAL TRIM

Rear loading trim: Removal - Refitting

71A

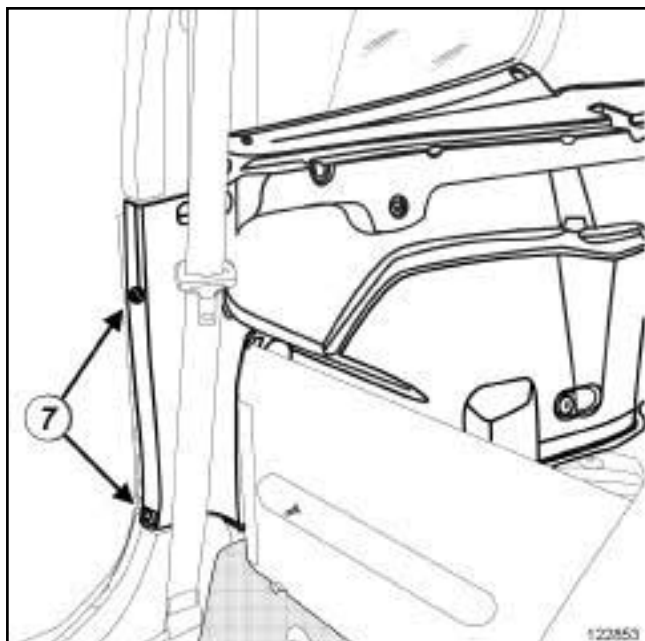
G44

- the retaining hooks.



- Remove:

- the bolts (5) ,
- the clip (6) .



- Remove:

- the bolts (7) ,
- the rear panel trim,
- the rear floor attached to the front section (see **Raised rear floor, front section: Removal - Refitting**) (MR 412, 41D, Rear lower structure).

REFITTING

I - REFITTING OPERATION FOR PART CONCERNED

- Refit:

- the rear floor attached to the front section (see **Raised rear floor, front section: Removal - Refitting**) (MR 412, 41D, Rear lower structure),
- the rear panel trim,
- the bolts (7) ,
- the clip (6) ,
- the bolts (5) ,
- the retaining hooks,
- the bolts (4) .

II - FINAL OPERATION.

- Refit:

- the tailgate seal,
- the partition,
- the bolts (3) ,
- pull down the front seat backrest,
- the luggage compartment carpet,
- the rear parcel shelf (2) ,
- the clips (1) .

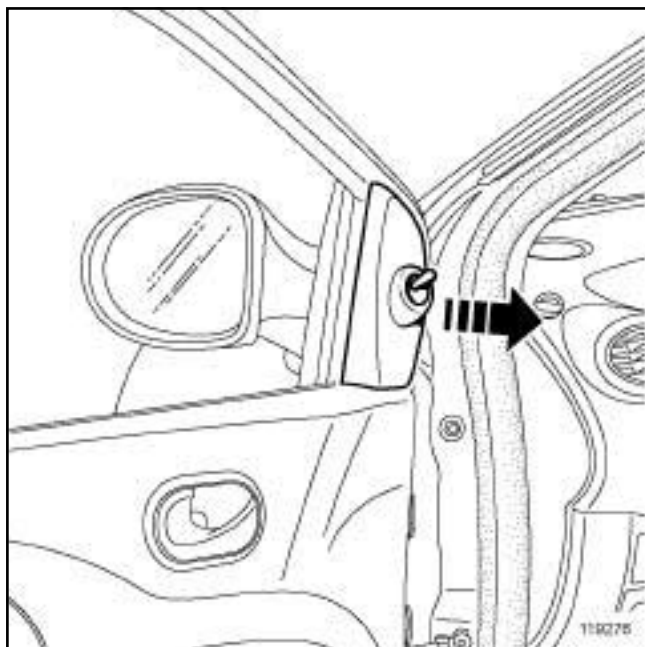
SIDE OPENING ELEMENT TRIM

Front side door trim: Removal - Refitting

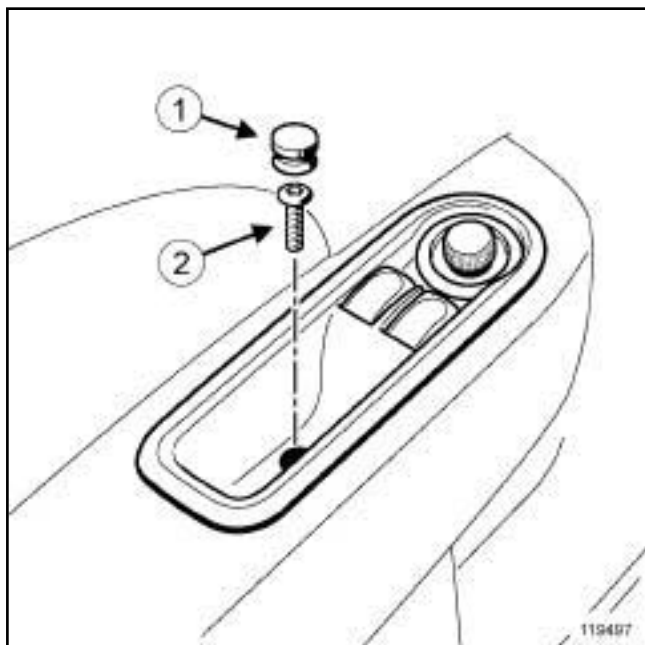
72A

REMOVAL

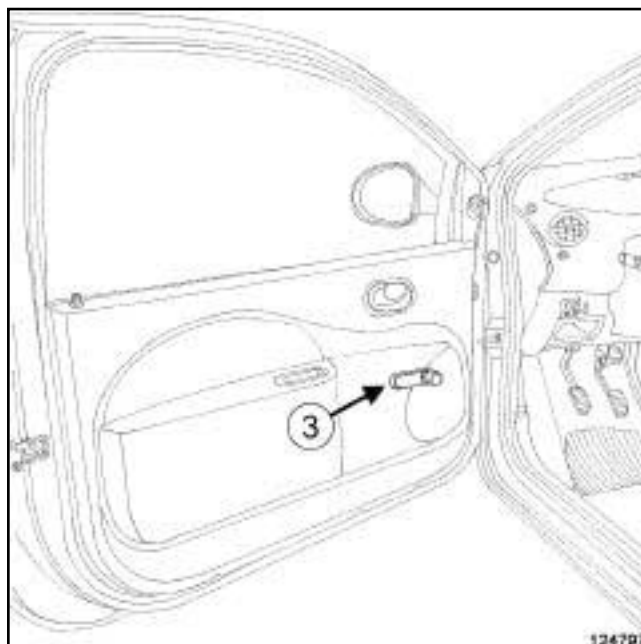
I - REMOVAL PREPARATION OPERATION



- Unclip door mirror trim.



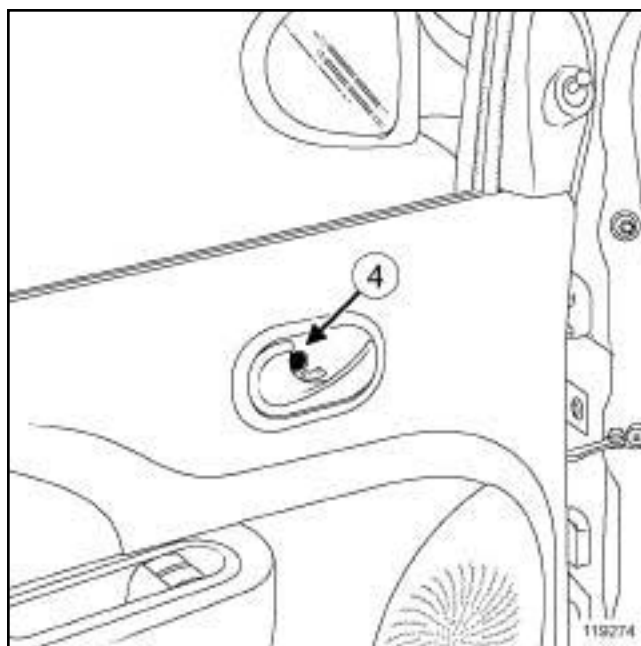
- Remove (depending on equipment level):
 - the cover (1) ,
 - the bolt (2) .



124797

- Remove (depending on equipment level):
 - the clip (3) using a screwdriver,
 - the front side door manual window winder handle.

II - OPERATION FOR REMOVAL OF PART CONCERNED



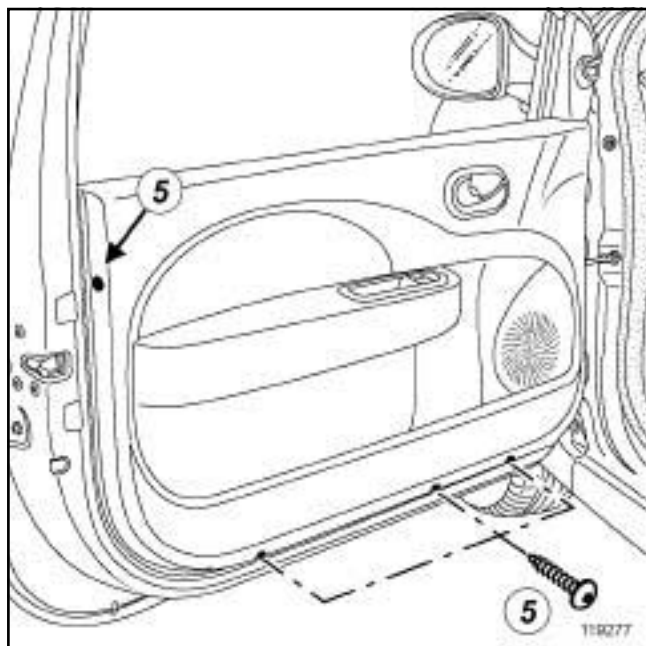
119274

- Remove the bolt (4) .

SIDE OPENING ELEMENT TRIM

Front side door trim: Removal - Refitting

72A



119277

- Remove the bolts (5) .
- Unclip:
 - the front side door trim using a pair of unclipping pliers (protect the door box section),
 - the interior door handle cable using a flat-blade screwdriver.
- Disconnect the supply connectors (depending on equipment level).

REFITTING

I - REFITTING PREPARATIONS OPERATION

- Replace the clips on the front side door trim if necessary.

II - REFITTING OPERATION FOR PART CONCERNED

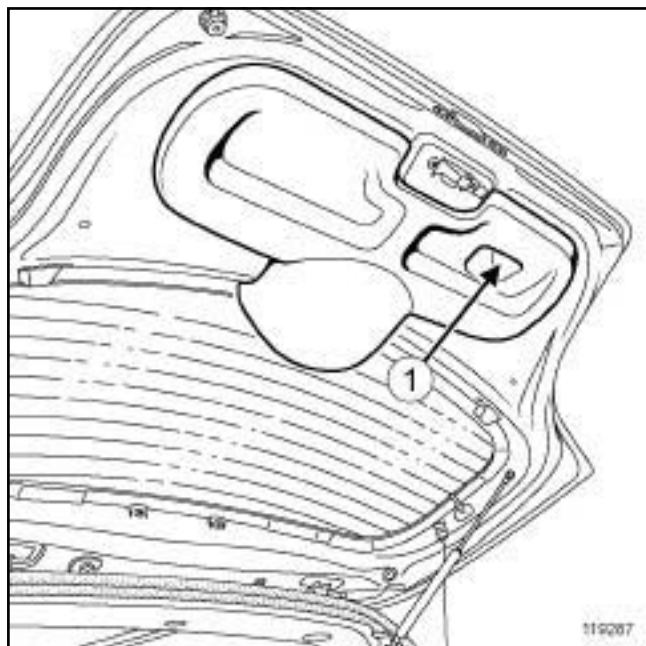
- Connect the supply connectors (depending on equipment level).
- Clip on:
 - the interior door handle cable,
 - the front side door trim.
- Refit:
 - the bolts (5) ,
 - the bolt (4) .

III - FINAL OPERATION.

- Refit (depending on equipment level):
 - the bolt (2) ,
 - the cover (1) ,
 - the front side door manual window winder handle,
 - the clip (3) using a screwdriver.
- Clip on the door mirror trim piece.
- Carry out a function test.

REMOVAL

OPERATION FOR REMOVAL OF PART CONCERNED



119287

- Remove the bolt (1) .
- Unclip the tailgate trim.

REFITTING

I - REFITTING PREPARATIONS OPERATION

- Replace the tailgate trim clips if necessary.

II - REFITTING OPERATION FOR PART CONCERNED

- Clip the tailgate trim in place.
- Refit the bolt (1) .

Equipment required

Diagnostic tool

IMPORTANT

To avoid any risk of triggering when working on or near a pyrotechnic component (airbags or pretensioners), lock the airbag computer using the diagnostic tool.

When this function is activated, all the trigger lines are inhibited and the airbag warning light on the instrument panel lights up continuously (ignition on).

IMPORTANT

Never handle the pyrotechnic systems (pretensioners or airbags) near to a source of heat or naked flame - they may be triggered.

REMOVAL

I - REMOVAL PREPARATION OPERATION

- Lock the airbag computer using the **Diagnostic tool** (see **Fault finding - Replacement of components**) (MR 413, 88C, Airbags and seat belt pretensioners).
- Disconnect the battery (see **Battery: Removal - Refitting**) (MR 411, 80A, Battery).
- Remove:
 - the complete front seat (see **75A, Front seat frames and mechanisms, Complete front seat: Removal - Refitting**, page 75A-8) ,
 - the front seatback trim (see **77A, Front seat trim, Front seatback trim: Removal - Refitting**, page 77A-4) ,
 - the front seat cushion trim (see **77A, Front seat trim, Front seat base trim: Removal - Refitting**, page 77A-1) ,
 - the front side (chest-level) airbag (depending on the equipment level) (see **Front (chest-level) side airbag: Removal - Refitting**) (MR 411, 88C, Airbags and seat belt pretensioners),
 - the front buckle pretensioner (see **Front buckle pretensioner: Removal - Refitting**) (MR 411, 88C, Airbags and seat belt pretensioners).

II - OPERATION FOR REMOVAL OF PART CONCERNED

- Remove:
 - the front seatback frame (see **75A, Front seat frames and mechanisms, Front seatback frame: Removal - Refitting**, page 75A-2) ,
 - the front seat runners (see **75A, Front seat frames and mechanisms, Front seat runner: Removal - Refitting**, page 75A-6) .

REFITTING

I - REFITTING OPERATION FOR PART CONCERNED

- Refit:
 - the front seatback frame (see **75A, Front seat frames and mechanisms, Front seatback frame: Removal - Refitting**, page 75A-2) ,
 - the front seat runners (see **75A, Front seat frames and mechanisms, Front seat runner: Removal - Refitting**, page 75A-6) .

II - FINAL OPERATION.

- Refit:
 - the front buckle pretensioner (see **Front buckle pretensioner: Removal - Refitting**) (MR 411, 88C, Airbags and seat belt pretensioners),
 - the front side (chest-level) airbag (depending on the equipment level) (see **Front (chest-level) side airbag: Removal - Refitting**) (MR 411, 88C, Airbags and seat belt pretensioners),
 - the front seat cushion trim (see **77A, Front seat trim, Front seat base trim: Removal - Refitting**, page 77A-1) ,
 - the front seatback trim (see **77A, Front seat trim, Front seatback trim: Removal - Refitting**, page 77A-4) ,
 - the entire front seat (see **75A, Front seat frames and mechanisms, Complete front seat: Removal - Refitting**, page 75A-8) .
- Connect the battery (see **Battery: Removal - Refitting**) (MR 411, 80A, Battery).
- Unlock the airbag computer using the **Diagnostic tool** (see **Fault finding - Replacement of components**) (MR 413, 88C, Airbags and seat belt pretensioners).

Equipment required

Diagnostic tool

Tightening torques

front seatback frame bolts	46 Nm
----------------------------	-------

IMPORTANT

To avoid any risk of triggering when working on or near a pyrotechnic component (airbags or pretensioners), lock the airbag computer using the diagnostic tool.

When this function is activated, all the trigger lines are inhibited and the airbag warning light on the instrument panel lights up continuously (ignition on).

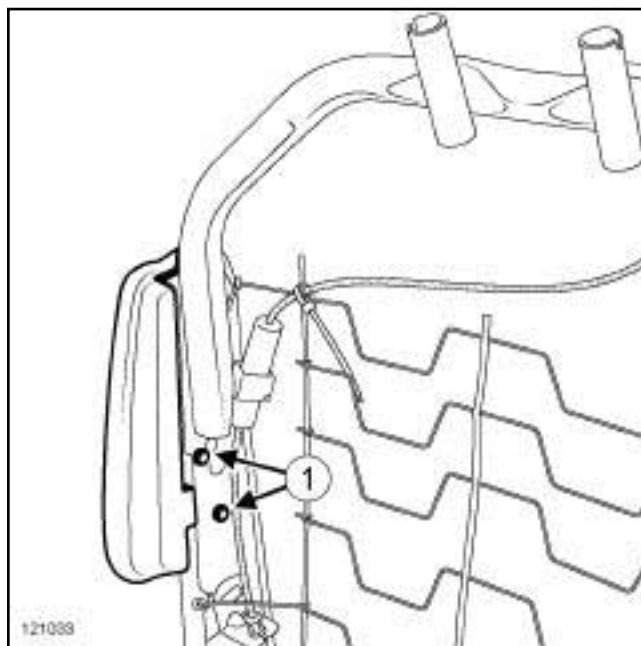
IMPORTANT

Never handle the pyrotechnic systems (pretensioners or airbags) near to a source of heat or naked flame - they may be triggered.

REMOVAL

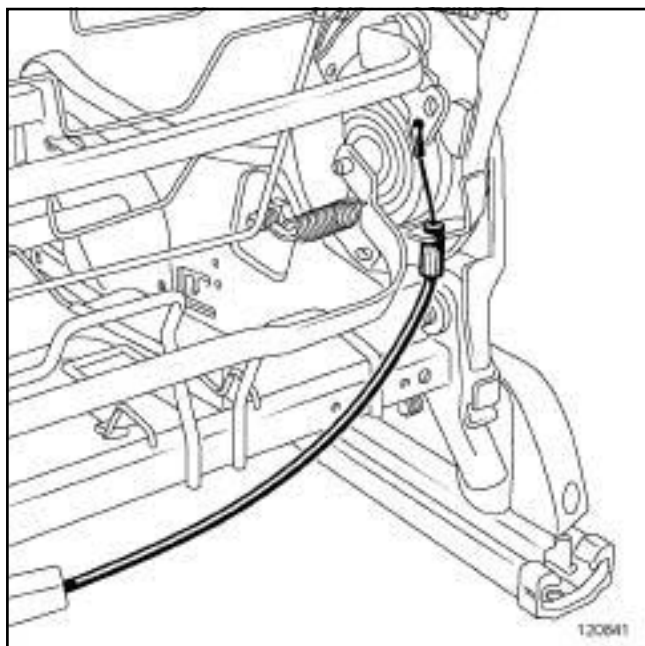
I - REMOVAL PREPARATION OPERATION

- Lock the airbag computer using the **Diagnostic tool** (see **Fault finding - Replacement of components**) (MR 413, 88C, Airbags and seat belt pretensioners).
- Disconnect the battery (see **Battery: Removal - Refitting**) (MR 411, 80A, Battery).
- Remove:
 - the complete front seat (see **75A, Front seat frames and mechanisms, Complete front seat: Removal - Refitting**, page **75A-8**),
 - the front seatback trim (see **77A, Front seat trim, Front seatback trim: Removal - Refitting**, page **77A-4**),
 - the front seat cushion trim (see **77A, Front seat trim, Front seat base trim: Removal - Refitting**, page **77A-1**),
 - the front side (chest-level) airbag (depending on the equipment level) (see **Front (chest-level) side airbag: Removal - Refitting**) (MR 411, 88C, Airbags and seat belt pretensioners).



121033

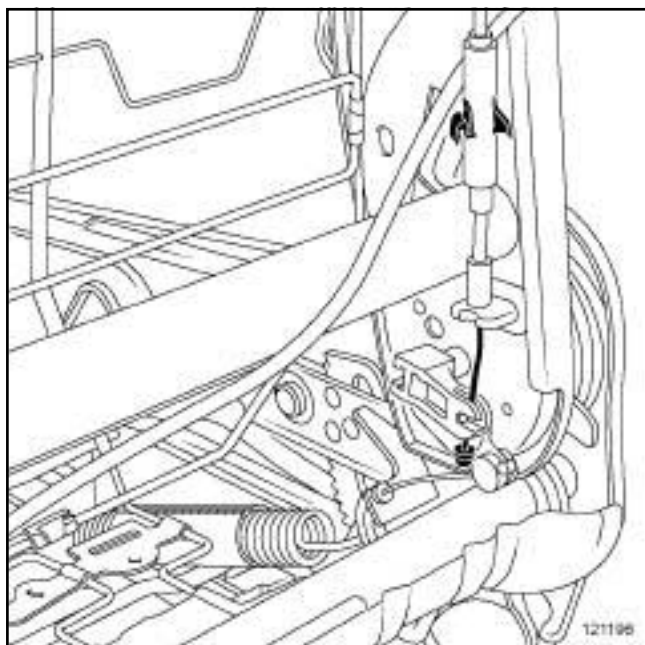
- Remove:
 - the bolts (1),
 - the lumbar support.



120841



121192

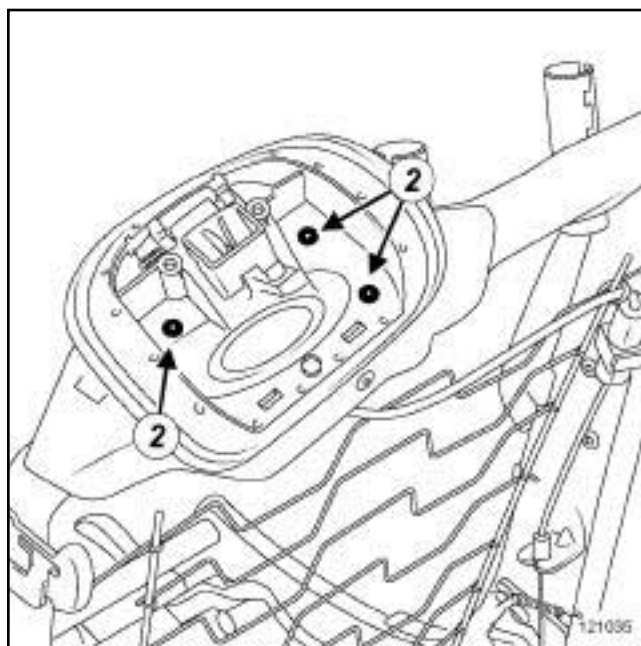


121196

- Unclip the various seat back inclination control cable lower stops (depending on the equipment level).

□ Remove:

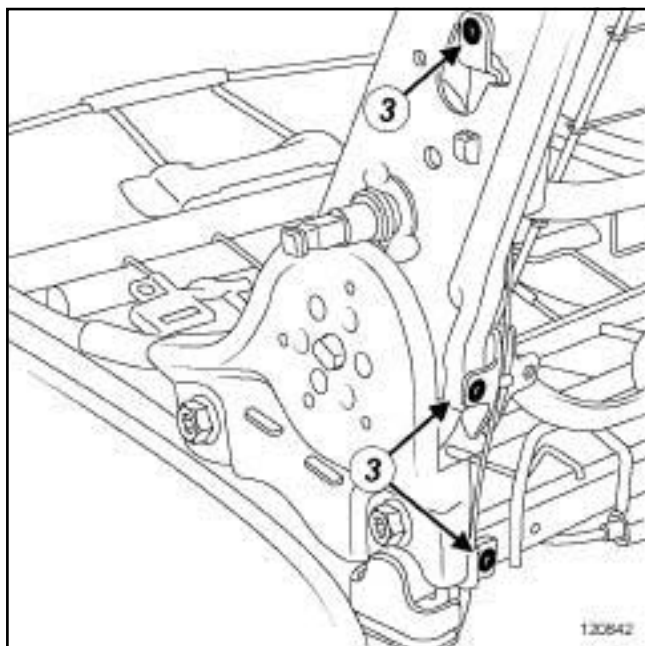
- the seat back inclination control cable upper stop(s) (depending on the equipment level),
- the seat back inclination control cable(s) (depending on the equipment level).



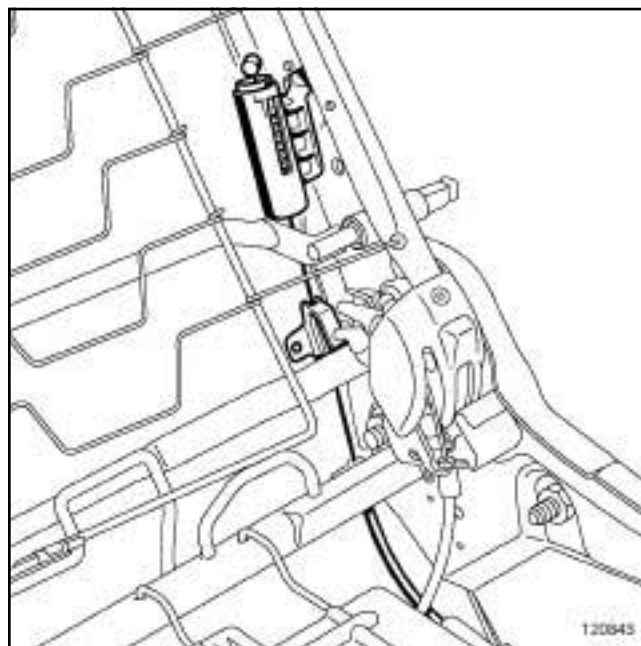
121035

□ Remove:

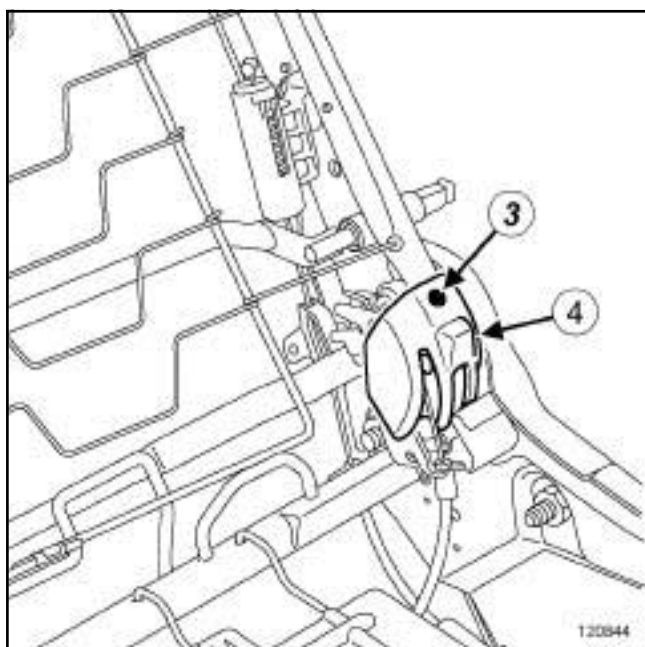
- the rivets (2) ,
- the mounting from the control accessing the rear seats.



120842

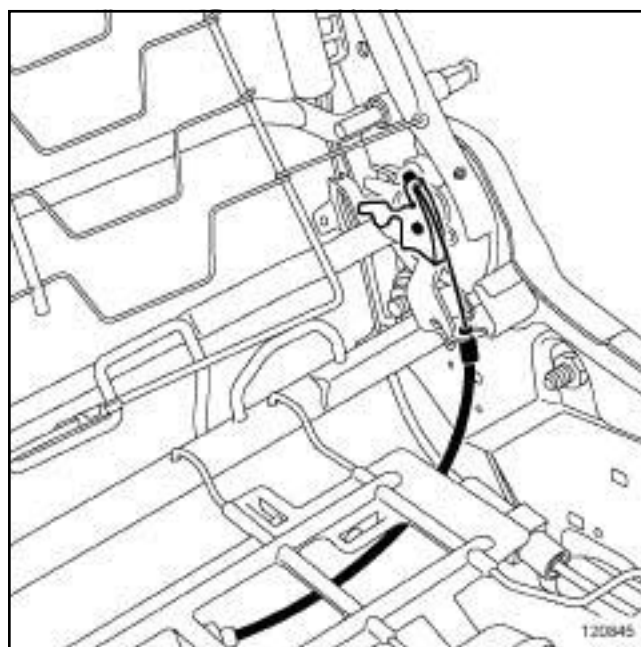


120843



120844

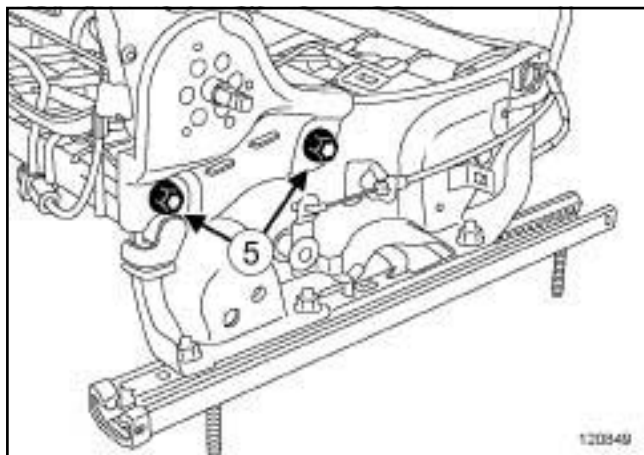
- Remove:
- the rivets (3) ,
- the casing (4) .



120845

- Remove the unlocking cables from the front seat runners.

II - OPERATION FOR REMOVAL OF PART CONCERNED



120849

❑ Remove:

- the front seatback frame bolts (5) ,
- the front seatback frame.

REFITTING

I - REFITTING PREPARATIONS OPERATION

- ❑ Always replace the front seatback frame bolts.

II - REFITTING OPERATION FOR PART CONCERNED

❑ Refit:

- the front seatback frame,
- the front seatback frame bolts (5) .

- ❑ Torque tighten the front seatback frame bolts (46 Nm).

III - FINAL OPERATION.

❑ Refit:

- the unlocking cables to the front seat runners,
- the casing (4) .
- the rivets (3) ,
- the mounting for the control accessing the rear seats (depending on the equipment level).
- the rivets (2) ,
- the seat back inclination control cable(s) (depending on the equipment level).
- the seat back inclination control cable upper stop(s) (depending on the equipment level),

- ❑ Clip on the various seat back inclination control cable lower stops (depending on the equipment level).

❑ Refit:

- the lumbar support,
- the bolts (1) ,
- the front side (chest-level) airbag (depending on the equipment level) (see **Front (chest-level) side airbag: Removal - Refitting**) (MR 411, 88C, Airbags and seat belt pretensioners),
- the front seat cushion trim (see **77A, Front seat trim, Front seat base trim: Removal - Refitting**, page **77A-1**) ,
- the front seatback trim (see **77A, Front seat trim, Front seatback trim: Removal - Refitting**, page **77A-4**) ,
- the complete front seat (see **75A, Front seat frames and mechanisms, Complete front seat: Removal - Refitting**, page **75A-8**) .

- ❑ Connect the battery (see **Battery: Removal - Refitting**) (MR 411, 80A, Battery).

- ❑ Unlock the airbag computer using the **Diagnostic tool** (see **Fault finding - Replacement of components**) (MR 413, 88C, Airbags and seat belt pretensioners).

Equipment required

Diagnostic tool

Tightening torques

front seat runner nuts	25 Nm
------------------------	-------

IMPORTANT

To avoid any risk of triggering when working on or near a pyrotechnic component (airbags or pretensioners), lock the airbag computer using the diagnostic tool.

When this function is activated, all the trigger lines are inhibited and the airbag warning light on the instrument panel lights up continuously (ignition on).

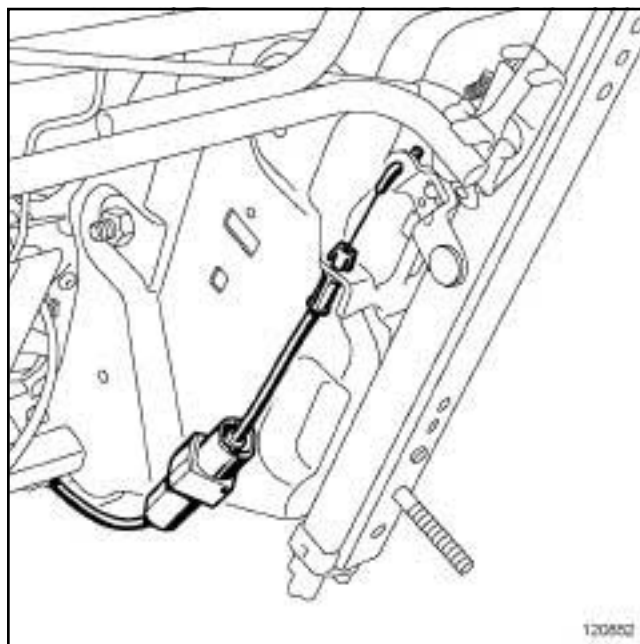
IMPORTANT

Never handle the pyrotechnic systems (pretensioners or airbags) near to a source of heat or naked flame - they may be triggered.

REMOVAL

I - REMOVAL PREPARATION OPERATION

- Lock the airbag computer using the **Diagnostic tool** (see **Fault finding - Replacement of components**) (88C, Airbags and pretensioners).
- Disconnect the battery (see **Battery: Removal - Refitting**) (80A, Battery).
- Remove:
 - the complete front seat (see **75A, Front seat frames and mechanisms, Complete front seat: Removal - Refitting**, page **75A-8**),
 - the front buckle pretensioner (see **Front buckle pretensioner: Removal - Refitting**) (88C, Airbags and pretensioners).

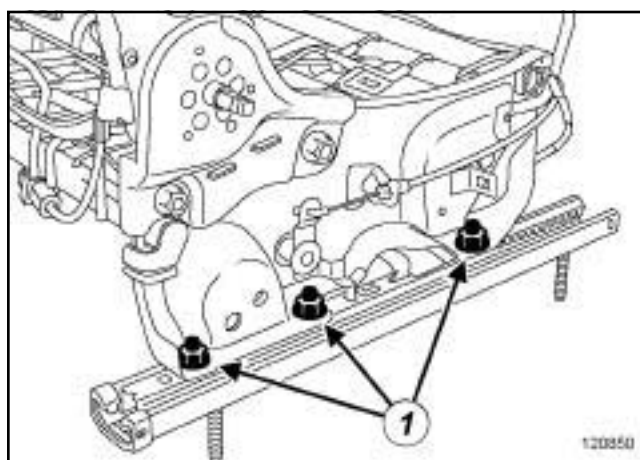


120852

120852

- Remove the unlocking cable from the front seat runners.

II - OPERATION FOR REMOVAL OF PART CONCERNED



120850

120850

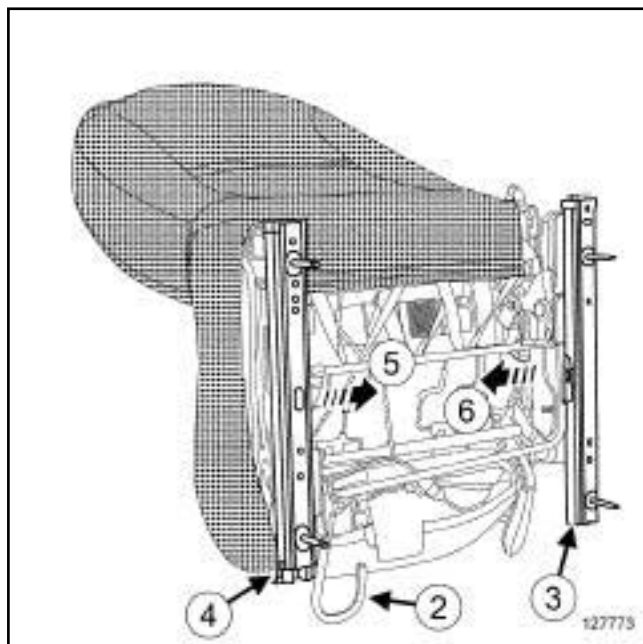
- Remove:
 - the nuts (1) from the front seat runner,
 - the front seat runners.

REFITTING

I - REFITTING PREPARATION OPERATION

- Always replace the front seat runner nuts.

II - REFITTING OPERATION FOR PART CONCERNED



127773

- ❑ Refit:
 - the front seat runners without tightening them,
 - the front seat runner control (2) .
- ❑ Observe the tightening order:
 - the runner on the vehicle interior side (3) ,
 - the runner on the vehicle exterior side (4) .
- ❑ Tighten:
 - the runners, holding them towards the interior of the seat at (5) and (6) ,
 - to torque the **front seat runner nuts (25 Nm) (1)** .

III - FINAL OPERATION.

- ❑ Refit:
 - the unlocking cable of the front seat runners,
 - the front buckle pretensioner (see **Front buckle pretensioner: Removal - Refitting**) (88C, Airbags and pretensioners),
 - the entire front seat (see **75A, Front seat frames and mechanisms, Complete front seat: Removal - Refitting**, page 75A-8) .
- ❑ Connect the battery (see **Battery: Removal - Refitting**) (80A, Battery).
- ❑ Unlock the airbag computer using the **Diagnostic tool** (see **Fault finding - Replacement of components**)(88C, Airbags and pretensioners).

Equipment required

Diagnostic tool

Tightening torques

front seat nuts 35 Nm

IMPORTANT

To avoid any risk of triggering when working on or near a pyrotechnic component (airbags or pretensioners), lock the airbag computer using the diagnostic tool.

When this function is activated, all the trigger lines are inhibited and the airbag warning light on the instrument panel lights up continuously (ignition on).

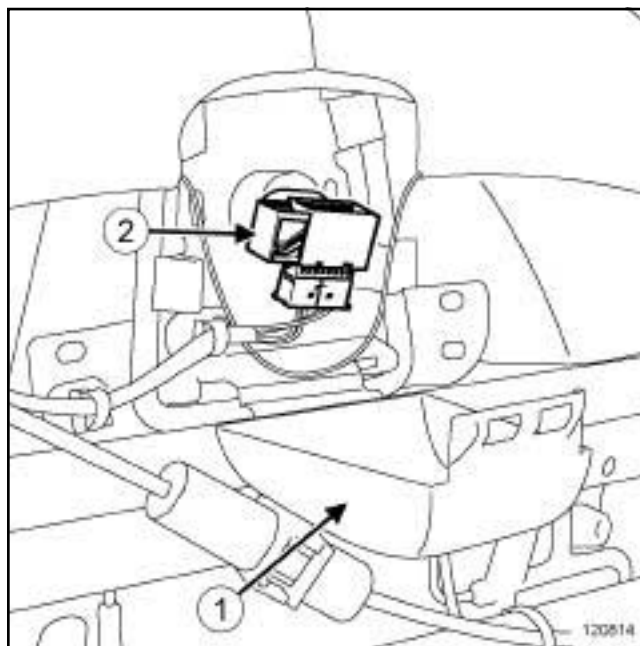
IMPORTANT

Never handle the pyrotechnic systems (pretensioners or airbags) near to a source of heat or naked flame - they may be triggered.

REMOVAL

I - REMOVAL PREPARATION OPERATION

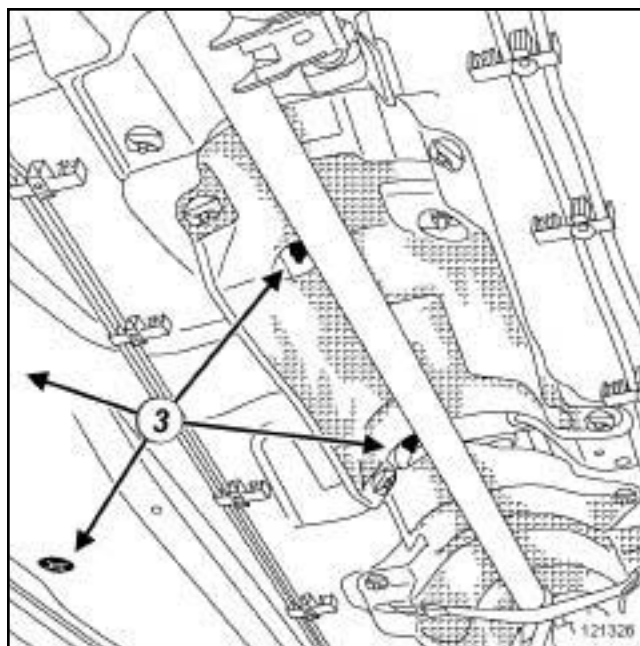
- Position the vehicle on a two-post lift (see **Vehicle: Towing and lifting**) (MR 411, 02A, Lifting equipment).
- Lock the airbag computer using the **Diagnostic tool** (see **Fault finding - Replacement of components**) (MR 413, 88C, Airbags and seat belt pretensioners).
- Disconnect the battery (see **Battery: Removal - Refitting**) (MR 411, 80A, Battery).



120814

- Unclip the cover (1) located under the front seat.
- Disconnect the connector (2).

II - OPERATION FOR REMOVAL OF PART CONCERNED



121326

- Remove:
 - the blanking covers (3),
 - the front seat nuts (3).

REFITTING

I - REFITTING PREPARATIONS OPERATION

- Always replace the front seat nuts.

II - REFITTING OPERATION FOR PART CONCERNED

- Refit the front seat nuts **(3)**.
- Torque tighten the **front seat nuts (35 Nm)**.
- Refit the blanking covers **(3)**.

III - FINAL OPERATION.

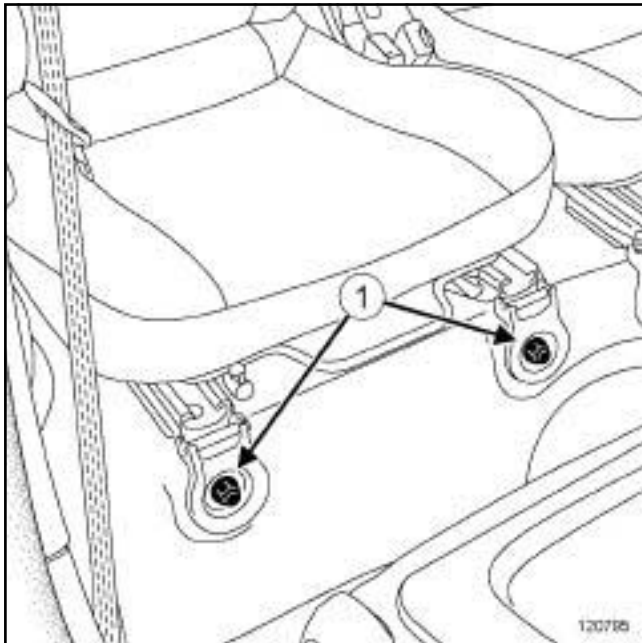
- Connect the connector **(2)**.
- Clip on the cover **(1)** located under the front seat.
- Connect the battery (see **Battery: Removal - Refitting**) (MR 411, 80A, Battery).
- Unlock the airbag computer using the **Diagnostic tool** (see **Fault finding - Replacement of components**) (MR 413, 88C, Airbags and seat belt pretensioners).

Tightening torques

rear seat bolts	21 Nm
-----------------	-------

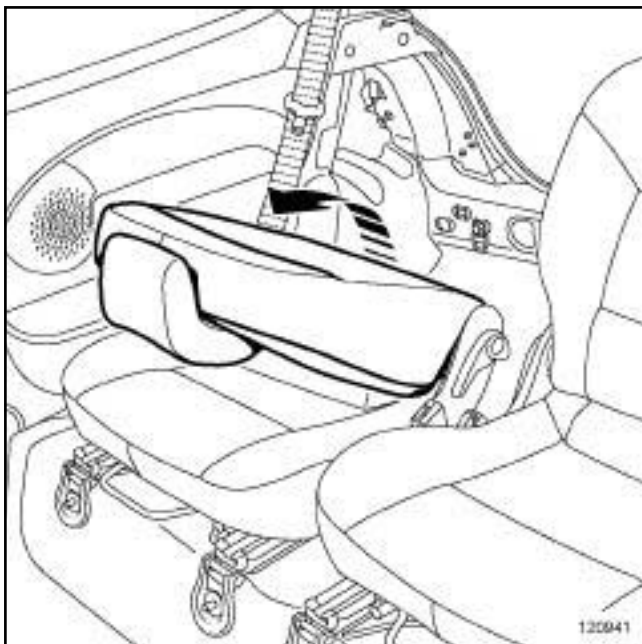
REMOVAL

OPERATION FOR REMOVAL OF PART CONCERNED



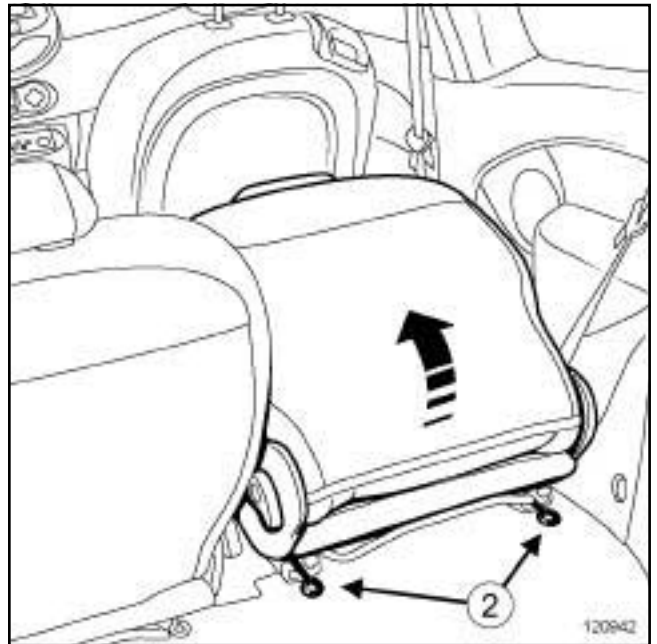
120795

- Remove the bolts (1) from the rear seat.



120941

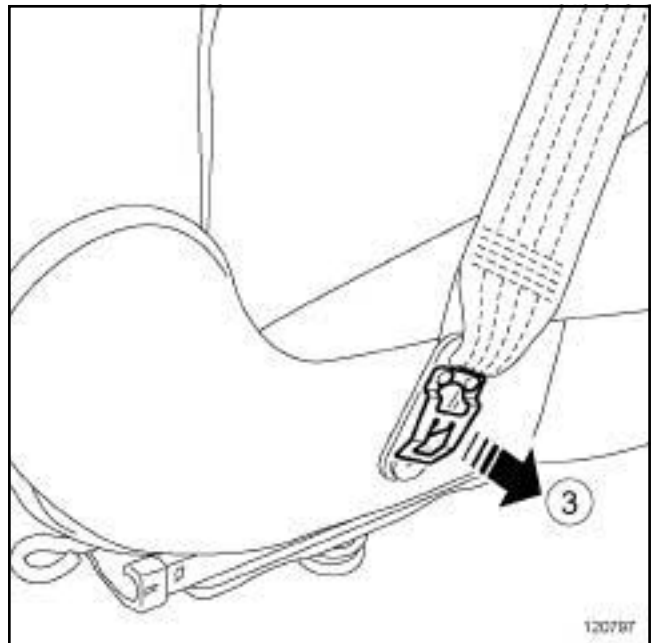
- Tilt the rear seatback.



120942

120942

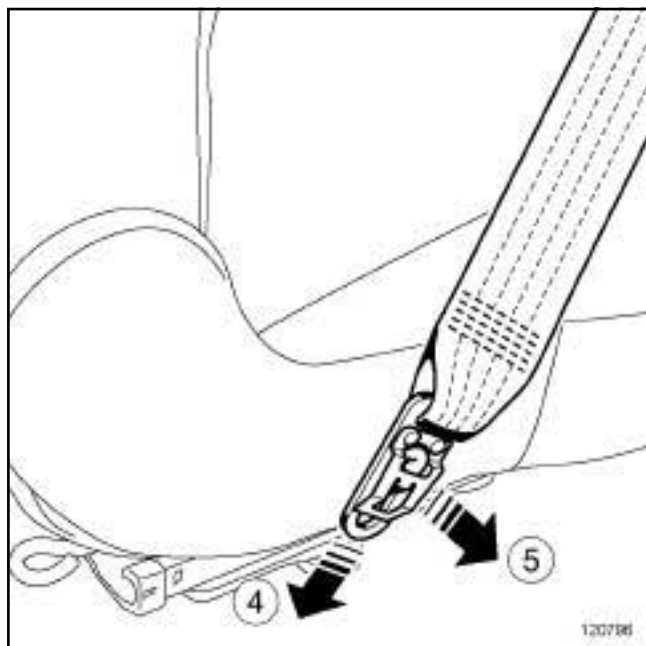
- Tilt the rear seat assembly by pulling on the handles (2).



120797

120797

- Unlock the seat belt (3).



120796

Remove:

- the seat belt (4) and (5) ,
- the rear seat.

REFITTING

REFITTING OPERATION FOR PART CONCERNED

Refit:

- the rear seat,
- the seat belt.

Position the seat normally.

Always replace the rear seat bolts each time they are removed.

Refit the rear seat bolts (1) .

Torque tighten the rear seat bolts (21 Nm).

REAR SEAT FRAMES AND MECHANISMS

Folding rear seat frame: Removal - Refitting

76A

Tightening torques

rear seat frame nuts	25 Nm
----------------------	-------

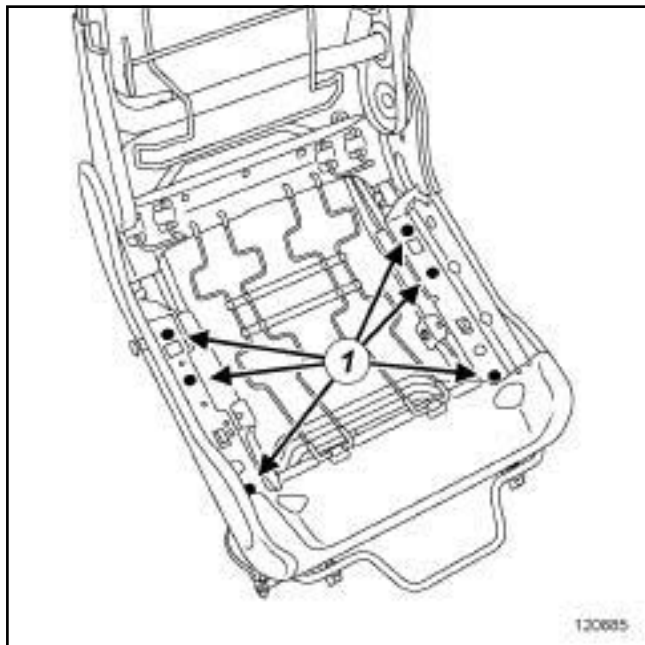
REMOVAL

I - REMOVAL PREPARATION OPERATION

Remove:

- the complete rear seat (see **76A, Rear seat frames and mechanisms, Complete rear seat: Removal - Refitting, page 76A-1**),
- the rear seat seatback trim (see **78A, Rear seat trim, Rear seatback trim: Removal - Refitting, page 78A-4**),
- the rear seat cushion trim (see **78A, Rear seat trim, Rear seat base trim: Removal - Refitting, page 78A-1**).

II - OPERATION FOR REMOVAL OF PART CONCERNED



120885

Remove:

- the nuts (1),
- the rear seat frame.

REFITTING

I - REFITTING OPERATION FOR PART CONCERNED

Refit:

- the rear seat frame on the runners,
- Always replace the rear seat frame nuts each time they are removed.
- the nuts (1).

Torque tighten the **rear seat frame nuts (25 Nm)**.

II - FINAL OPERATION.

Refit:

- the rear seat cushion trim (see **78A, Rear seat trim, Rear seat base trim: Removal - Refitting, page 78A-1**),
- the rear seat seatback trim (see **78A, Rear seat trim, Rear seatback trim: Removal - Refitting, page 78A-4**),
- the complete rear seat (see **76A, Rear seat frames and mechanisms, Complete rear seat: Removal - Refitting, page 76A-1**).

Tightening torques

rear seat runner nuts	25 Nm
-----------------------	-------

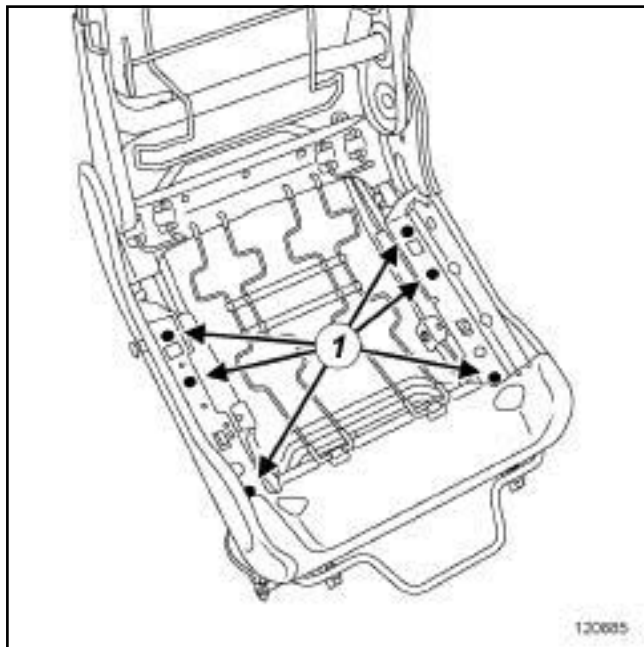
REMOVAL

I - REMOVAL PREPARATION OPERATION

Remove:

- the complete rear seat (see 76A, **Rear seat frames and mechanisms, Complete rear seat: Removal - Refitting**, page 76A-1) ,
- the rear seat cushion trim (see 78A, **Rear seat trim, Rear seat base trim: Removal - Refitting**, page 78A-1) .

II - OPERATION FOR REMOVAL OF PART CONCERNED



120885

Remove:

- the nuts (1) ,
- the rear seat runners.

REFITTING

I - REFITTING OPERATION FOR PART CONCERNED

Refit:

- the rear seat runners,

- Always replace the rear seat runner nuts each time they are removed.

- the nuts (1) .

- Tighten to torque the **rear seat runner nuts (25 Nm)**.

II - FINAL OPERATION.

Refit:

- the rear seat cushion trim (see 78A, **Rear seat trim, Rear seat base trim: Removal - Refitting**, page 78A-1) ,

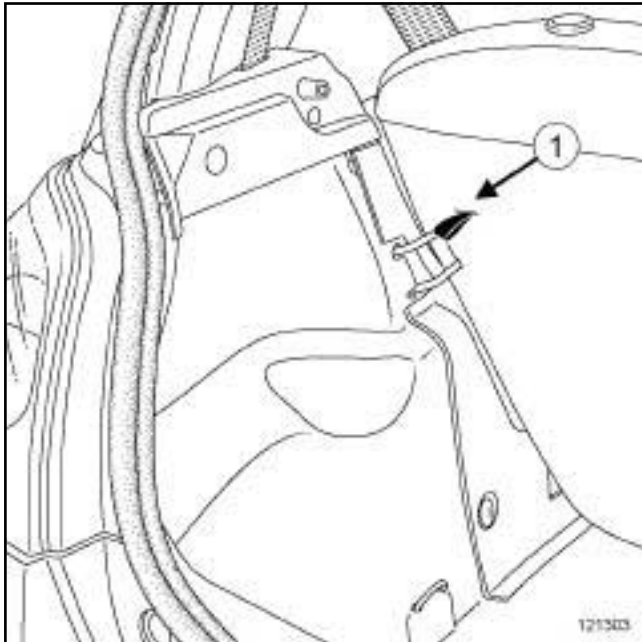
- the complete rear seat (see 76A, **Rear seat frames and mechanisms, Complete rear seat: Removal - Refitting**, page 76A-1) .

REMOVAL

I - REMOVAL PREPARATION OPERATION

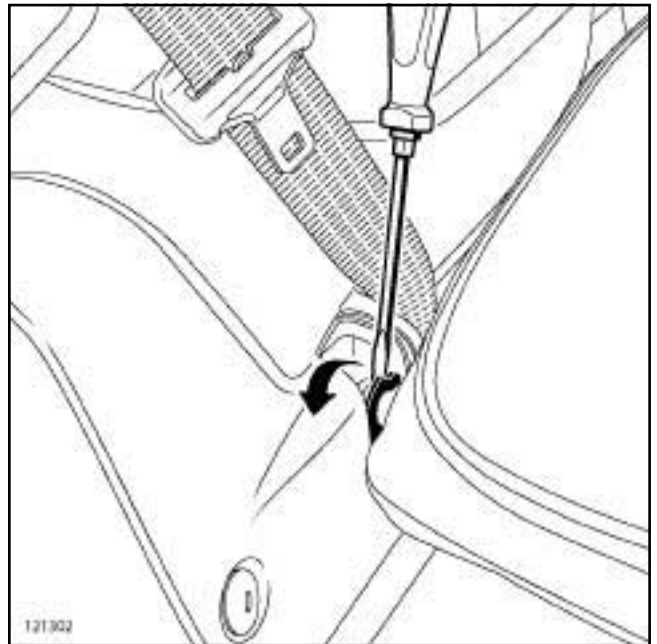
- Remove the rear parcel shelf (depending on the equipment level).
- Pull down the rear bench seat base.

II - OPERATION FOR REMOVAL OF PART CONCERNED



121303

- Unlock the rear bench seatback using the straps (1).
- Pull down the rear bench seatback.



121302

- Unlock the rear bench seatback catches.
- Remove the rear bench seat seatback.

REFITTING

I - REFITTING OPERATION FOR PART CONCERNED

- Refit the rear bench seatback.
- Lock the rear bench seatback catches.
- Pull down the rear bench seatback.

II - FINAL OPERATION.

- Pull down the rear bench seat base.
- Refit the rear parcel shelf (depending on the equipment level).

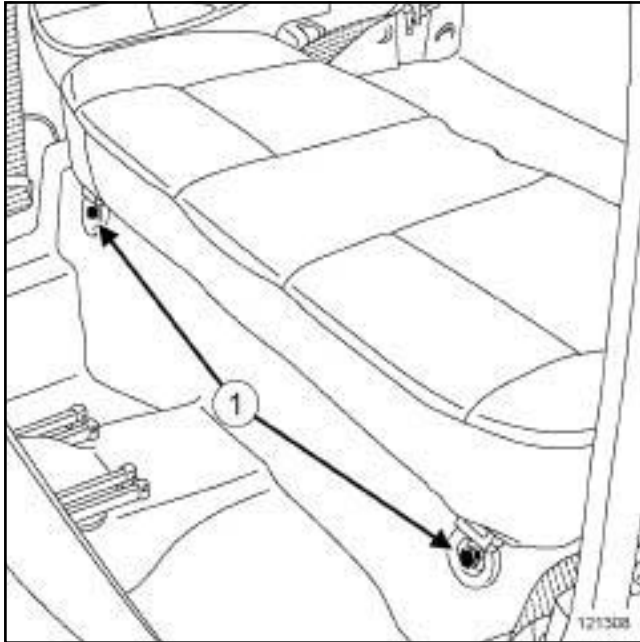
REAR SEAT FRAMES AND MECHANISMS

Rear bench seat base: Removal - Refitting

76A

REMOVAL

OPERATION FOR REMOVAL OF PART CONCERNED



121308

Remove:

- the nuts and washers (1) ,
- the rear bench seat base.

REFITTING

REFITTING OPERATION FOR PART CONCERNED

Refit:

- the rear bench seat base,
- Always replace the rear bench seat base nuts each time they are removed.
- the nuts and washers (1) .

FRONT SEAT TRIM

Front seat base trim: Removal - Refitting

77A

Special tooling required

Car. 1521 Clip crimping pliers.

Equipment required

Diagnostic tool

IMPORTANT

To prevent any accidental triggering whilst working on or near a pyrotechnic component (airbags or pretensioners), lock the airbag computer using the **Diagnostic tool**.

When this function is activated, all the trigger lines are inhibited and the airbag warning light on the instrument panel lights up continuously (ignition on).

IMPORTANT

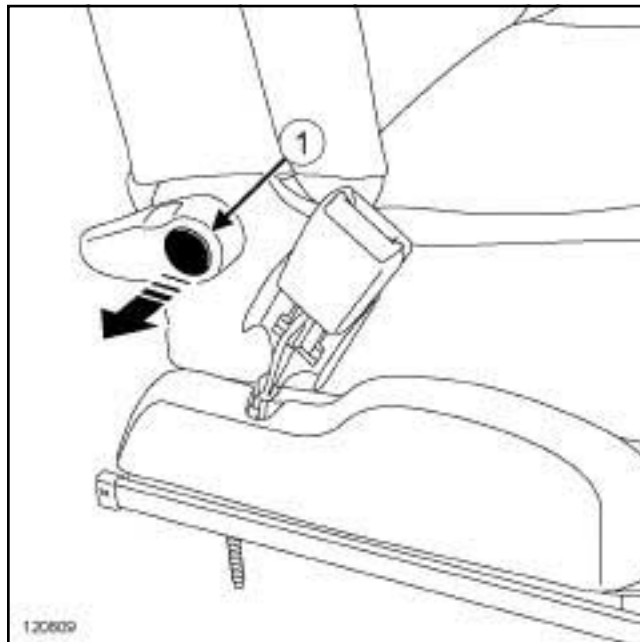
Never handle the pyrotechnic systems (pretensioners or airbags) near to a source of heat or naked flame - they may be triggered.

REMOVAL

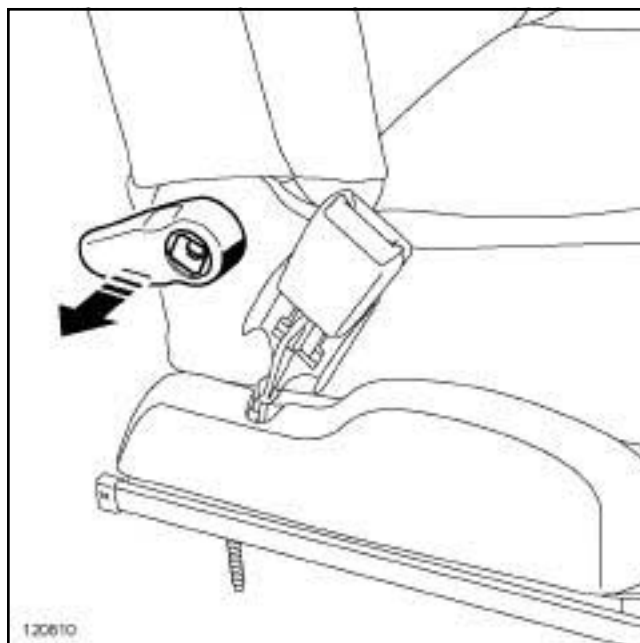
I - REMOVAL PREPARATION OPERATION

- Lock the airbag computer using the **Diagnostic tool** (see **MR 413 Fault finding, 88C, Airbags and seat belt pretensioners, Fault finding - Replacement of components**).
- Disconnect the battery ((see **Battery: Removal - Refitting**)).
- Remove the complete front seat (see **75A, Front seat frames and mechanisms, Complete front seat: Removal - Refitting, page 75A-8**) .

II - OPERATION FOR REMOVAL OF PART CONCERNED



- Remove the cover (1) .

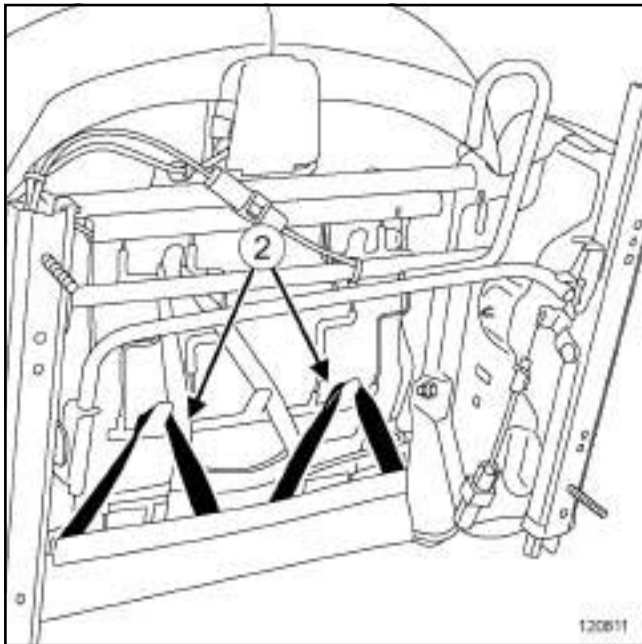


- Unclip the seatback adjustment control.

FRONT SEAT TRIM

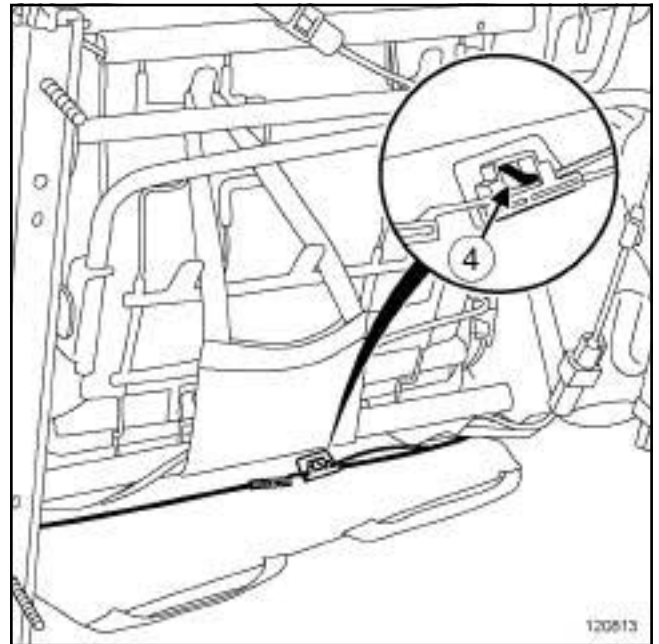
Front seat base trim: Removal - Refitting

77A



120811

- ❑ Remove the elastic securing straps (2) from the seatback trim.



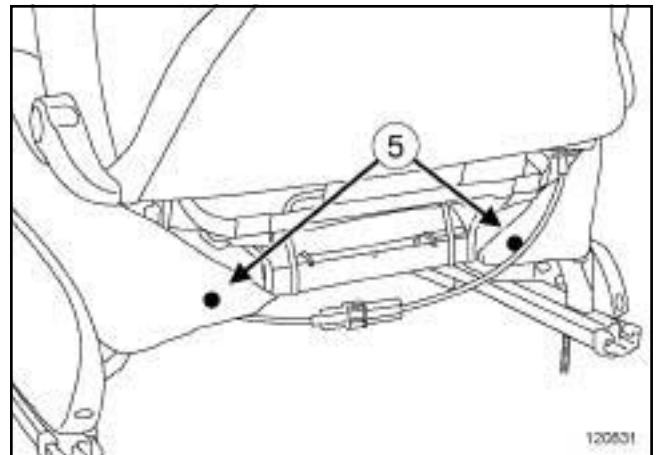
120813

- ❑ Unlock the seat base cover tensioner at (4) using a flat-blade screwdriver.



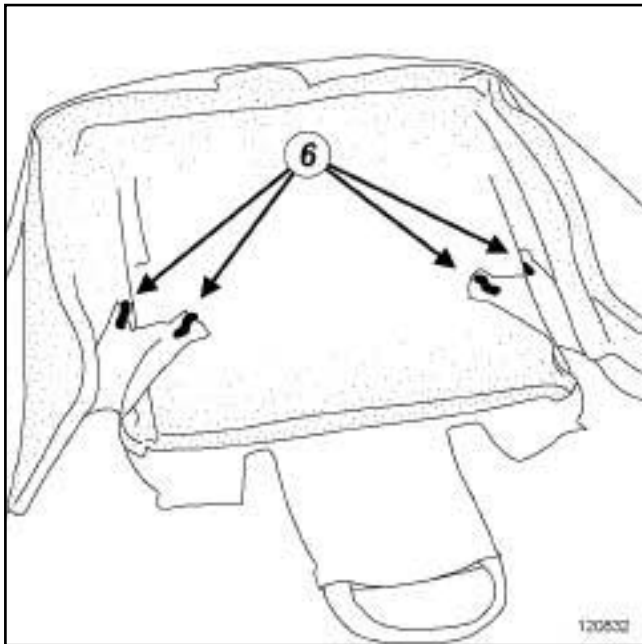
120812

- ❑ Remove the elastic securing straps (3) from the seat base trim.



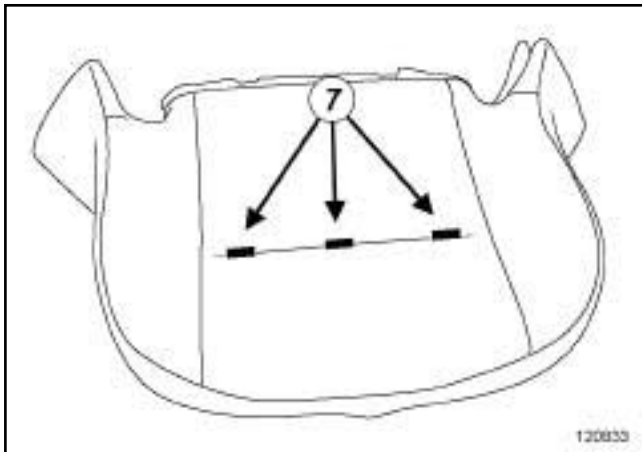
120831

- ❑ Unclip the clips (5) using unclipping pliers.



120832

- Remove the « cover - foam » assembly.
- Cut the clips (6) using a cutting tool.



120833

- Cut the clips (7) using a cutting tool.
- Detach the cover from the foam.

REFITTING

I - REFITTING OPERATION FOR PART CONCERNED

- Refit the cover on the foam.
- Fit the clips (7) and (6) (available from the **Spare Parts Department**) using the (Car. 1521).
- Refit the « cover - foam » assembly onto the seat base frame.
- Attach the clips (5).

- Lock the seat base cover tensioner.
- Refit:
 - the seat base cover elastic strap (3),
 - the elastic straps (2) securing the seatback cover.
- Clip on the seatback adjustment control.
- Refit the cover (1).

II - FINAL OPERATION.

- Refit the complete front seat (see 75A, **Front seat frames and mechanisms, Complete front seat: Removal - Refitting**, page 75A-8).
- Connect the battery ((see **Battery: Removal - Refitting**)).
- Unlock the airbag computer using the **Diagnostic tool** (see **MR 413 Fault finding, 88C, Airbags and seat belt pretensioners, Fault finding - Replacement of components**).

Special tooling required

Car. 1521 Clip crimping pliers.

Equipment required

Diagnostic tool

IMPORTANT

To prevent any accidental triggering whilst working on or near a pyrotechnic component (airbags or pretensioners), lock the airbag computer using the **Diagnostic tool**.

When this function is activated, all the trigger lines are inhibited and the airbag warning light on the instrument panel lights up continuously (ignition on).

IMPORTANT

Never handle the pyrotechnic systems (pretensioners or airbags) near to a source of heat or naked flame - they may be triggered.

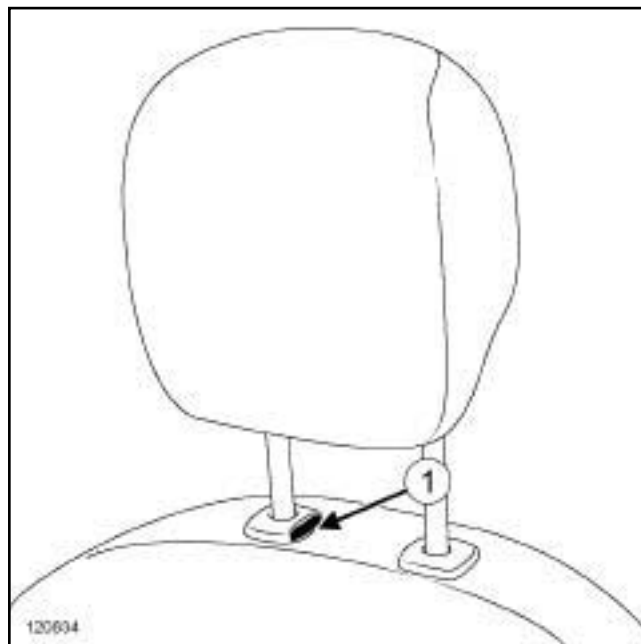
REMOVAL

I - REMOVAL PREPARATION OPERATION

- Lock the airbag computer using the **Diagnostic tool** (see **MR 413 Fault finding, 88C, Airbags and seat belt pretensioners, Fault finding - Replacement of components**).
- Disconnect the battery (see **Battery: Removal - Refitting**).
- Remove the complete front seat (see **75A, Front seat frames and mechanisms, Complete front seat: Removal - Refitting, page 75A-8**).

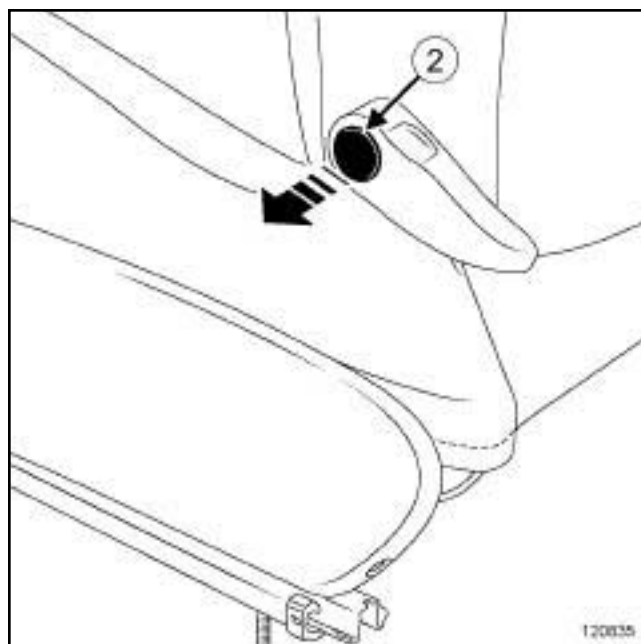
II - OPERATION FOR REMOVAL OF PART CONCERNED

1 - 1st type



120834

- Unlock the headrest at (1) .
- Remove the headrest.



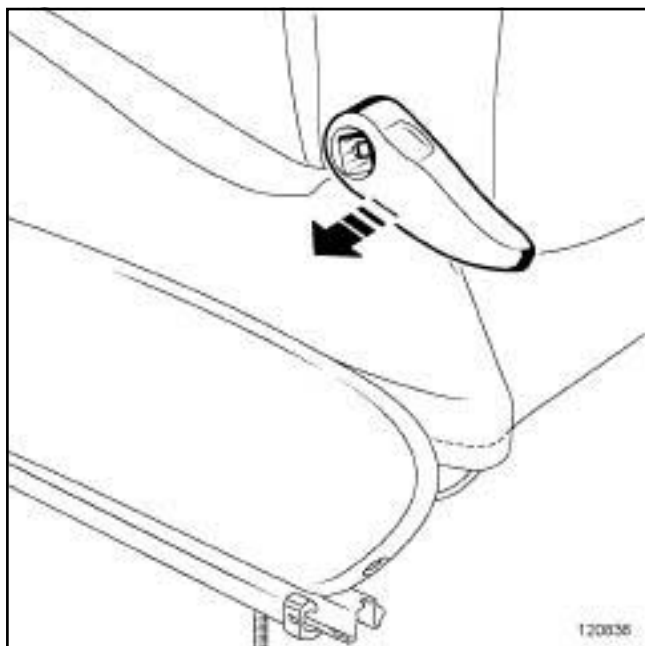
120835

- Remove the cover (2) .

FRONT SEAT TRIM

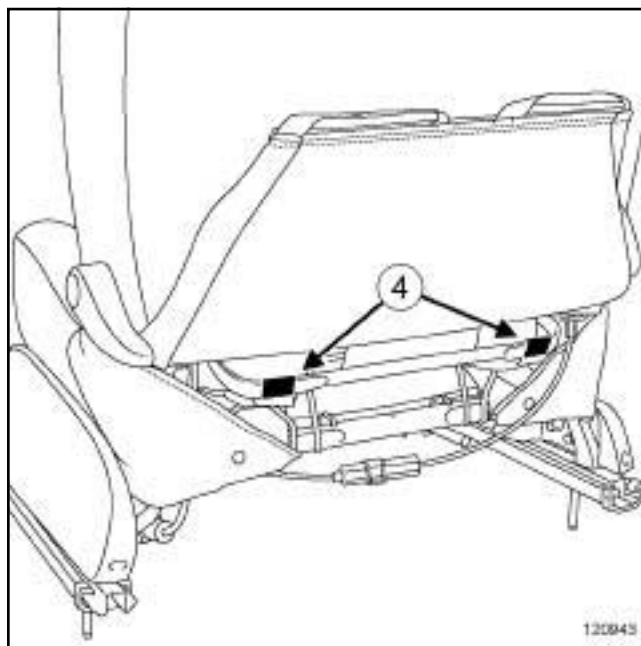
Front seatback trim: Removal - Refitting

77A



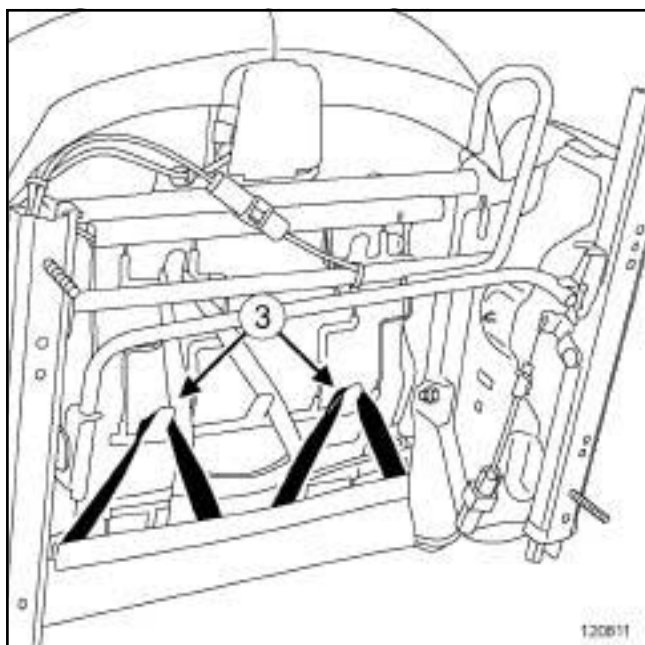
120836
120836

- Unclip the control accessing the rear seats.



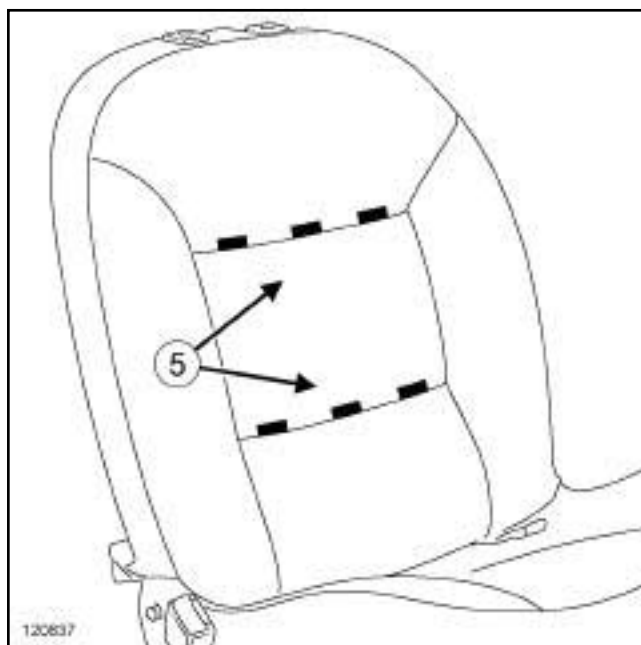
120943
120943

- Remove the retaining sections (4) .



120811
120811

- Remove the elastic securing straps (3) from the seatback trim.



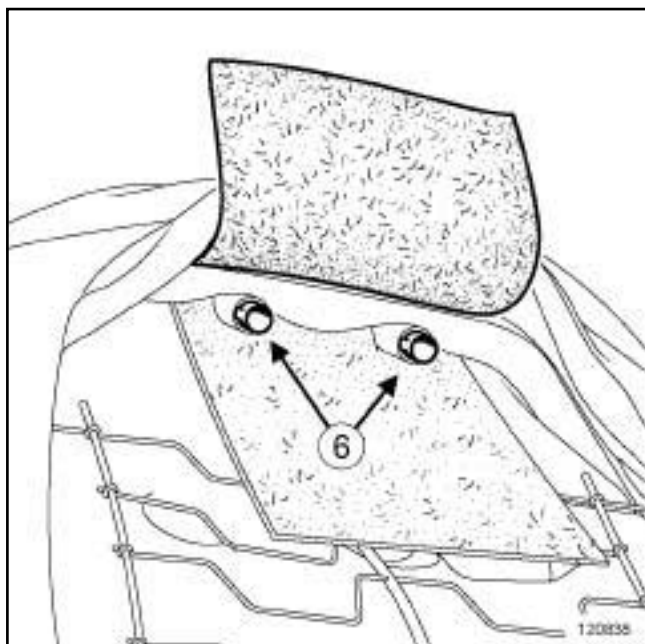
120837
120837

- Partially remove the seatback cover.
- Cut the clips (5) using a cutting tool.

FRONT SEAT TRIM

Front seatback trim: Removal - Refitting

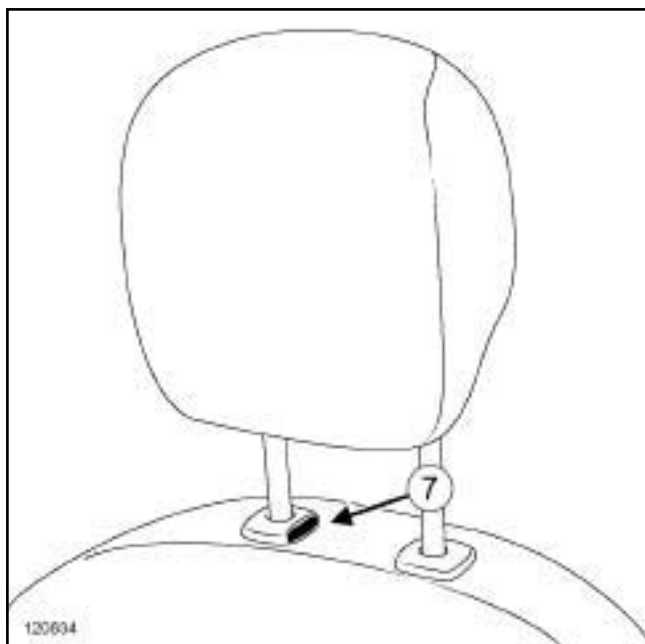
77A



120838

- Unclip the headrest guides (6) .
- Remove:
 - the seatback cover,
 - the seatback foam.

2 - 2nd type



120834

- Unlock the headrest at (7) .
- Remove the headrest.



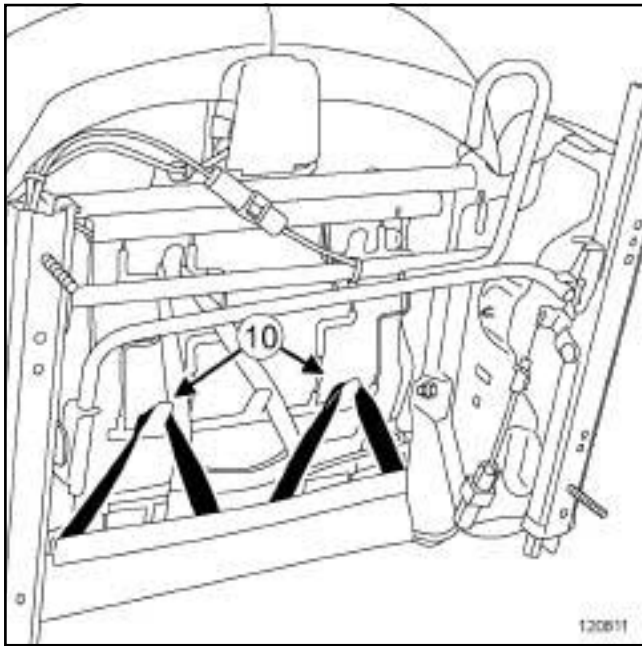
112944

- Remove:
 - the bolt (8) ,
 - the lever from the control accessing the rear seats.

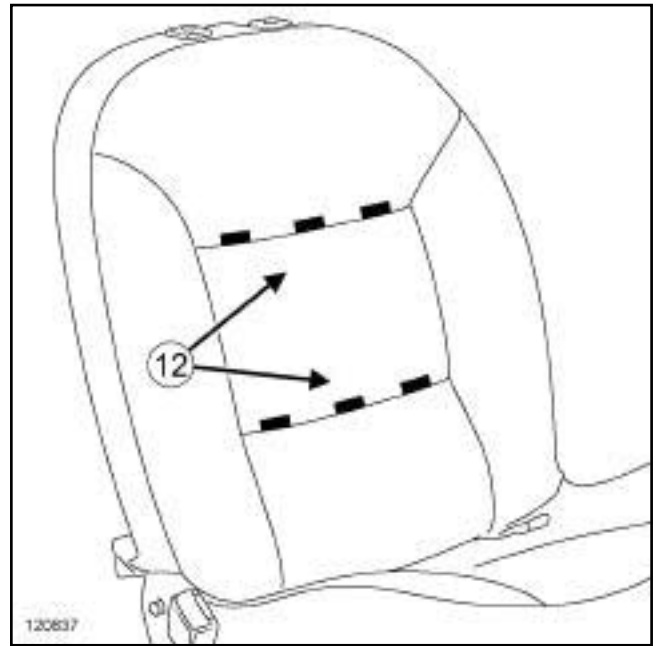


112945

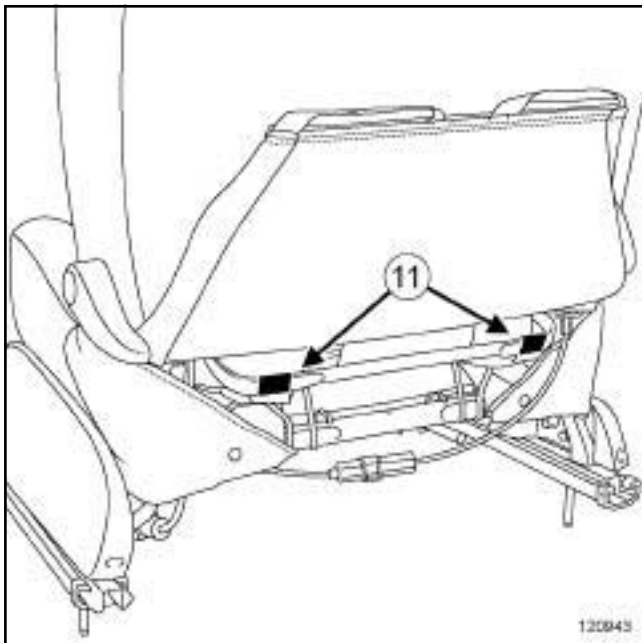
- Remove:
 - the bolts (9) ,
 - the plate from the control accessing the rear seats.



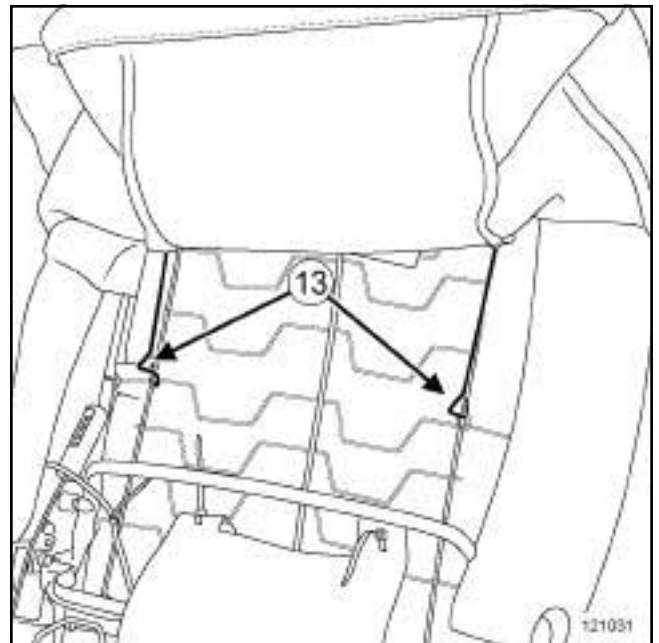
- ❑ Remove the elastic securing straps (10) from the seatback trim.



- ❑ Partially remove the seatback cover.
- ❑ Cut the clips (12) using a cutting tool.



- ❑ Remove the retaining sections (11) .

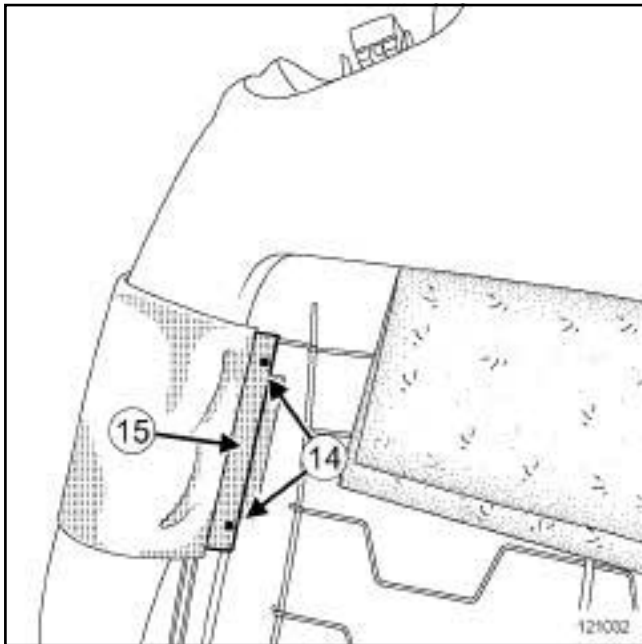


- ❑ Cut the clips (13) using a cutting tool.

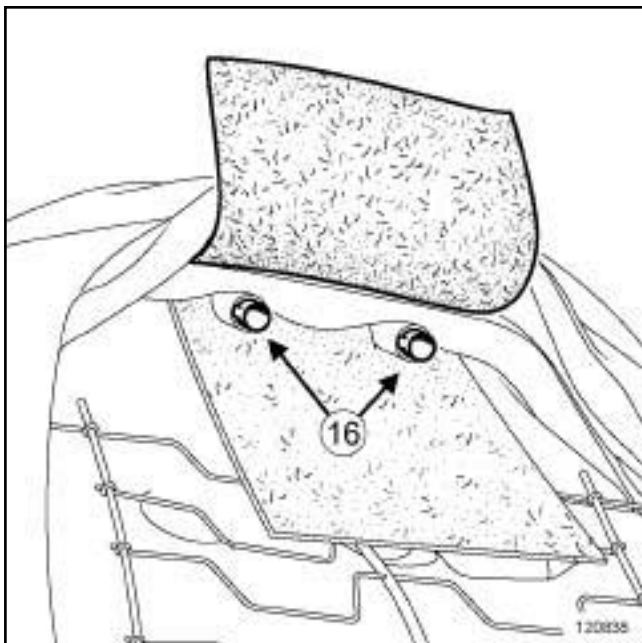
FRONT SEAT TRIM

Front seatback trim: Removal - Refitting

77A

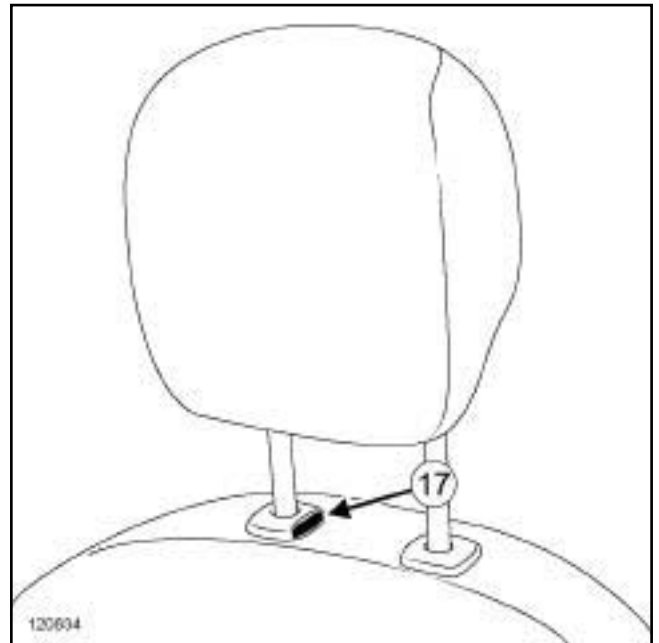


- Remove:
 - the clips (14) ,
 - the retaining strip (15) .

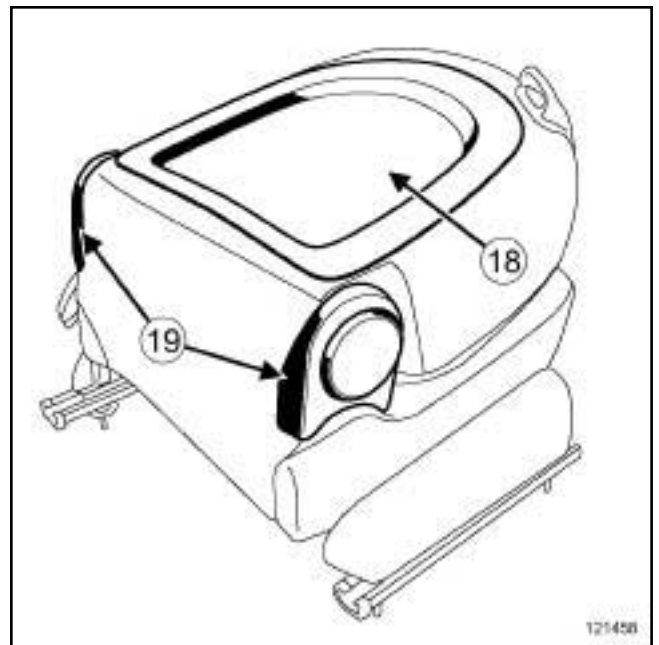


- Unclip the headrest guides (16) .
- Remove:
 - the seatback cover,
 - the seatback foam.

3 - 3rd type



- Unlock the headrest at (17) .
- Remove the headrest.



- Fold the seat away.
- Unclip:
 - the seatback plate (18) ,
 - the casings (19) .



112944

□ Remove:

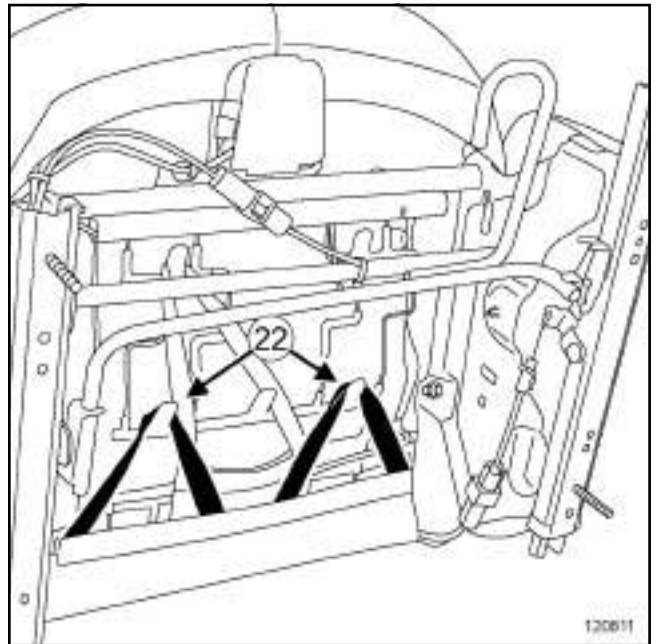
- the bolt (20) ,
- the lever from the control accessing the rear seats.



112945

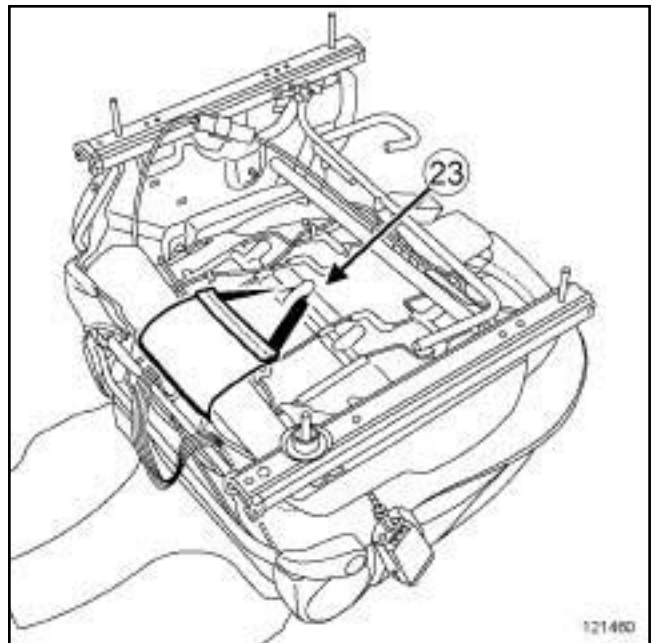
□ Remove:

- the bolts (21) ,
- the plate from the control accessing the rear seats.



120811

- Remove the elastic securing straps (22) from the seatback trim.



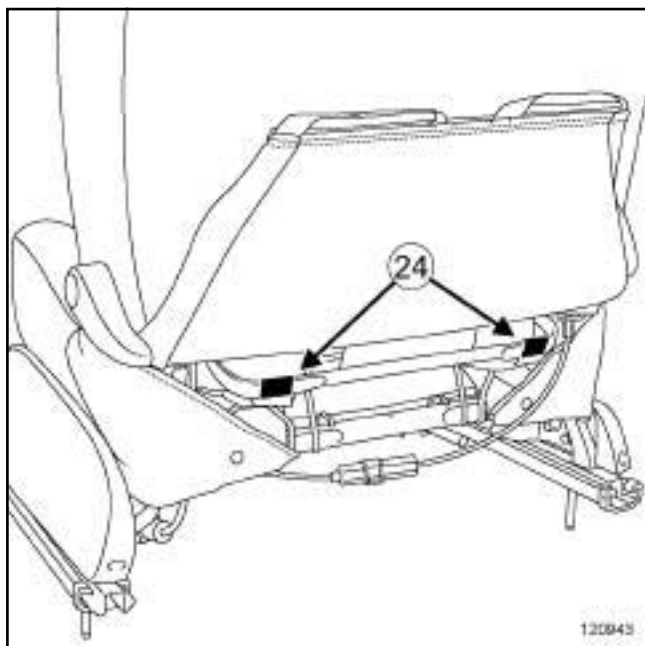
121460

- Remove the elastic securing strap (23) from the seatback trim.

FRONT SEAT TRIM

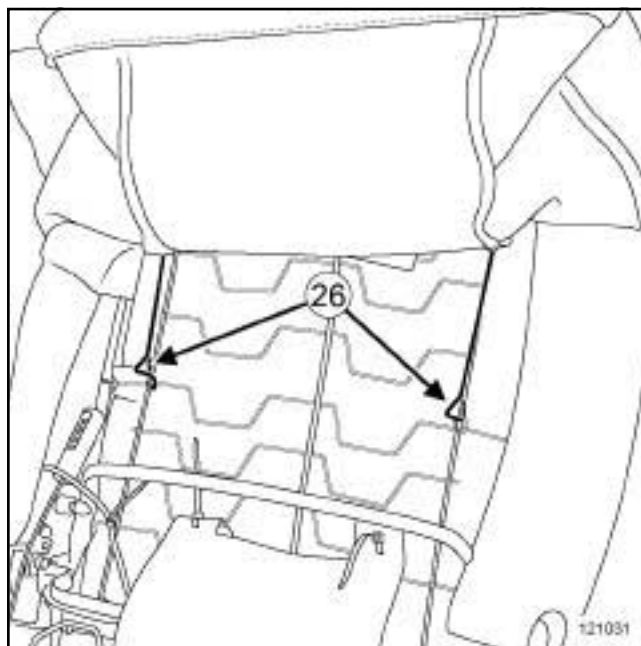
Front seatback trim: Removal - Refitting

77A



120943

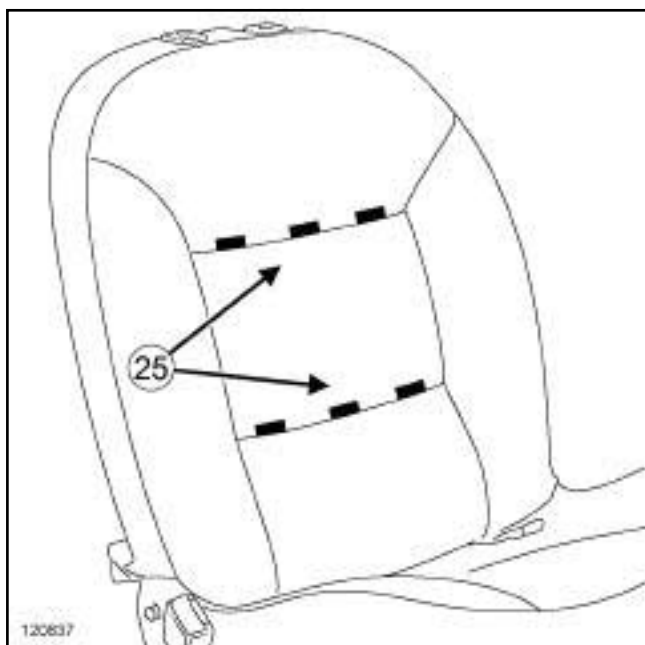
- Remove the retaining sections (24) .



121031

121031

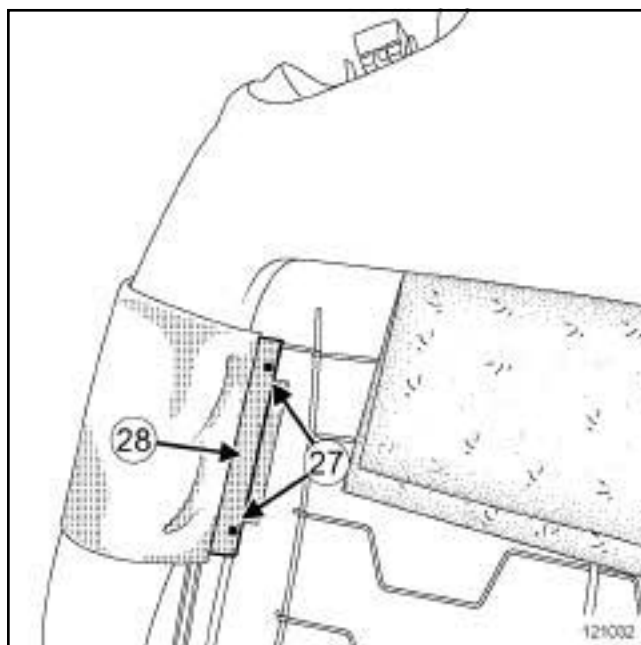
- Cut the clips (26) using a cutting tool.



120837

120837

- Partially remove the seatback cover.
- Cut the clips (25) using a cutting tool.



121032

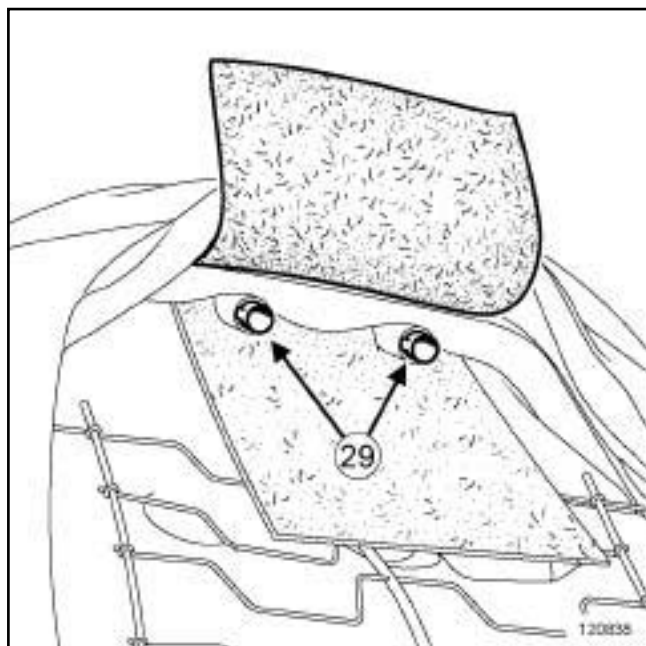
121032

- Remove:
 - the clips (27) ,
 - the retaining strip (28) .

FRONT SEAT TRIM

Front seatback trim: Removal - Refitting

77A



120838

- Unclip the headrest guides (29) .
- Remove:
 - the seatback cover,
 - the seatback foam.

REFITTING

I - REFITTING OPERATION FOR PART CONCERNED

1 - 1st type

- Refit:
 - the seatback foam,
 - the seatback cover partially.
- Clip on the headrest guides (6) .
- Fit the clips (5) (available from the **Spare Parts Department**) using the (Car. 1521).
- Refit:
 - the retaining sections (4) ,
 - the elastic securing straps (3) for the seatback trim.
- Clip on the control accessing the rear seats.
- Refit:
 - the cover (2) ,
 - the headrest.

2 - 2nd type

- Refit:
 - the seatback foam,
 - the seatback cover partially.
- Clip on the headrest guides (16) .
- Refit:
 - the retaining section (15) ,
 - the clips (14) .
- Fit the clips (13) and (12) (available from the **Spare Parts Department**) using the (Car. 1521).
- Refit:
 - the retaining sections (11) ,
 - the elastic securing straps (10) for the seatback trim,
 - the plate for the control accessing the rear seats,
 - the bolts (9) ,
 - the lever for the control accessing the rear seats,
 - the bolt (8) ,
 - the headrest.

3 - 3rd type

- Refit:
 - the seatback foam,
 - the seatback cover partially.
- Clip on the headrest guides (29) .
- Refit:
 - the retaining section (28) ,
 - the clips (27) .
- Fit the clips (25) and (26) (available from the **Spare Parts Department**) using the (Car. 1521).
- Refit:
 - the retaining sections (24) ,
 - the elastic securing straps (23) and (22) for the seatback trim.
- Clip:
 - the casings (19) ,
 - the seatback plate.
- Refit:
 - the plate for the control accessing the rear seats,
 - the bolts (21) ,
 - the lever for the control accessing the rear seats,

FRONT SEAT TRIM

Front seatback trim: Removal - Refitting

77A

- the bolt (20) ,
- the headrest.

II - FINAL OPERATION.

- Refit the complete front seat (see **75A, Front seat frames and mechanisms, Complete front seat: Removal - Refitting**, page 75A-8) .
- Connect the battery ((see **Battery: Removal - Refitting**)).
- Unlock the airbag computer using the **Diagnostic tool** (see **MR 413 Fault finding, 88C, Airbags and seat belt pretensioners, Fault finding - Replacement of components**).

REAR SEAT TRIM

Rear seat base trim: Removal - Refitting

78A

Special tooling required

Car. 1521

Clip crimping pliers.

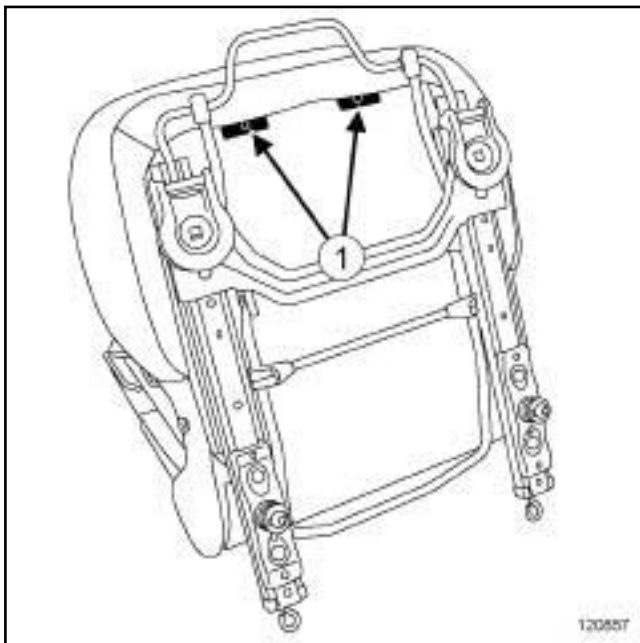
REMOVAL

I - REMOVAL PREPARATION OPERATION

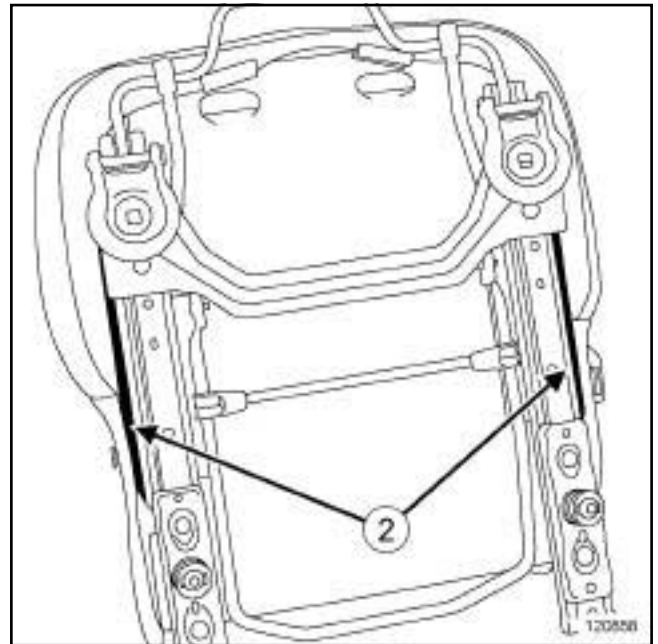
Remove:

- the complete rear seat (see 76A, **Rear seat frames and mechanisms, Complete rear seat: Removal - Refitting**, page 76A-1) ,
- the rear seatback trim (see 78A, **Rear seat trim, Rear seatback trim: Removal - Refitting**, page 78A-4) .

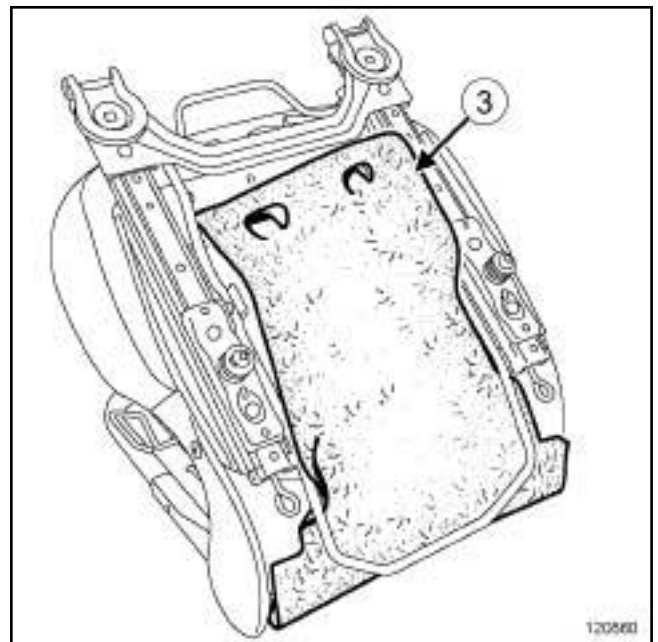
II - OPERATION FOR REMOVAL OF PART CONCERNED



- Drill out rivets (1) .
- Remove the front lower retaining sections.



- Remove the side retaining sections (2) .

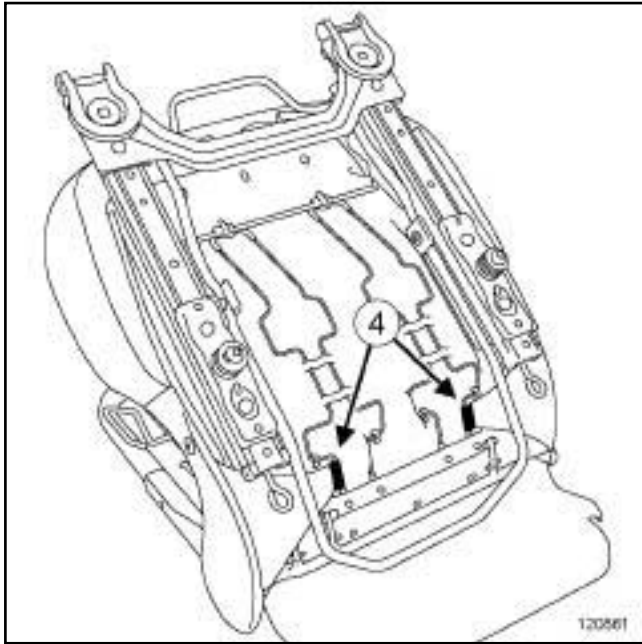


- Remove the under seat trim (3) .

REAR SEAT TRIM

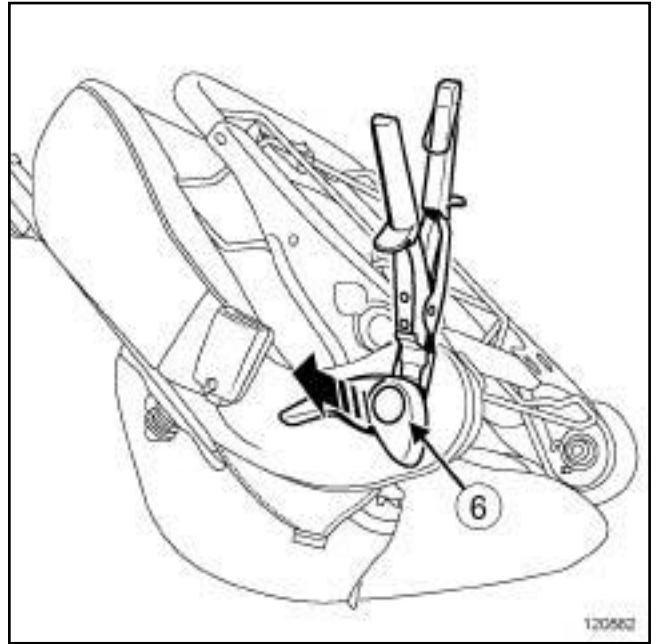
Rear seat base trim: Removal - Refitting

78A



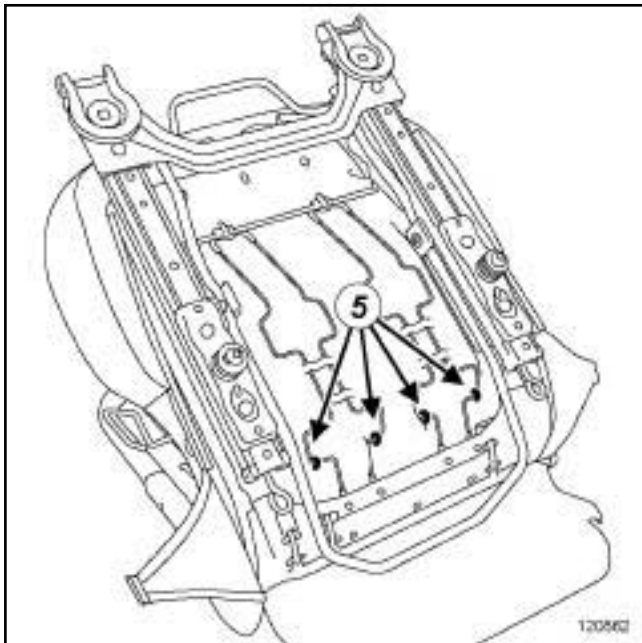
120861
120861

- ❑ Remove the retaining sections (4) .



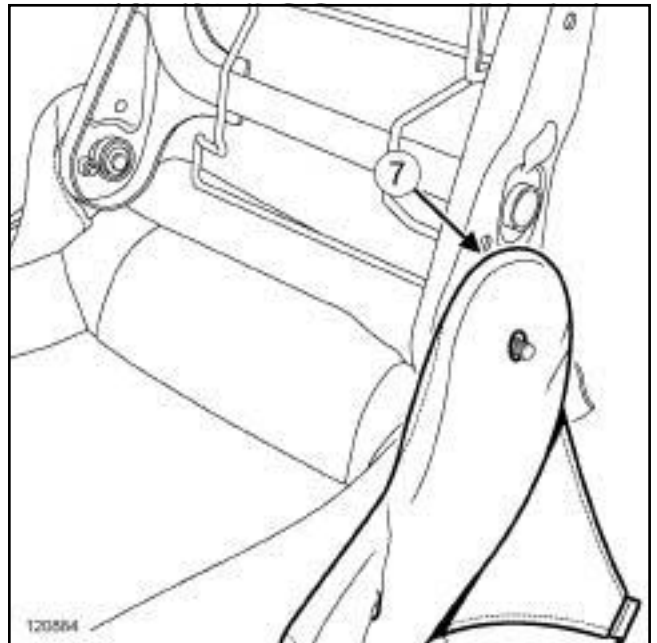
120882
120882

- ❑ Unclip the seatback tilting mechanism (6) .



120862
120862

- ❑ Cut the clips (5) using a cutting tool.



120884
120884

- ❑ Remove:
 - the rear seat belt buckle ((see **Rear seat belt buckle: Removal - Refitting**)),
 - the retaining sections (7) ,
 - the rear seat cushion trim.

REFITTING**I - REFITTING OPERATION FOR PART CONCERNED** Refit:

- the rear seat cushion trim,
- the retaining sections **(7)**,
- the rear seat belt buckle ((see **Rear seat belt buckle: Removal - Refitting**)).

 Clip on the seatback tilting mechanism **(6)**. Refit:

- the clips **(5)** (available from the **Spare Parts Department**) using the **(Car. 1521)**,
- the retaining sections **(4)**,
- the under seat trim **(3)**,
- the side retaining sections **(2)**,
- the front lower retaining sections.

 Refit the rivets **(1)**.**II - FINAL OPERATION.** Refit:

- the rear seatback trim (see **78A, Rear seat trim, Rear seatback trim: Removal - Refitting**, page **78A-4**),
- the complete rear seat (see **76A, Rear seat frames and mechanisms, Complete rear seat: Removal - Refitting**, page **76A-1**).

Special tooling required

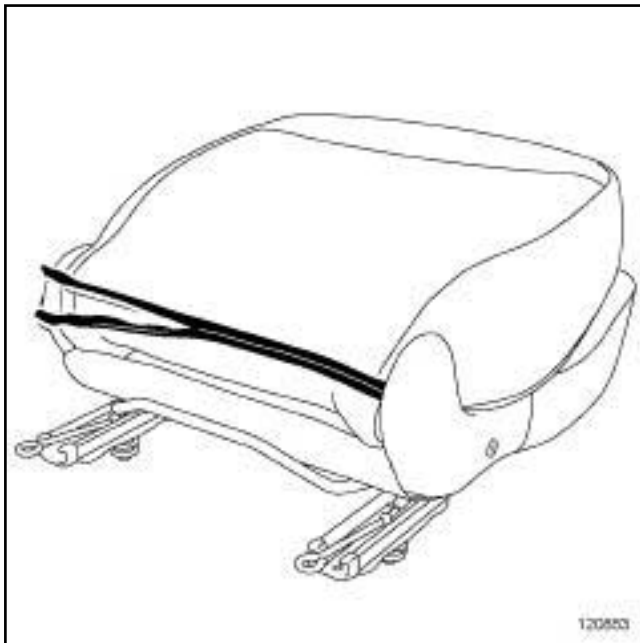
Car. 1521	Clip crimping pliers.
Car. 1558	Pliers for zip fasteners.

REMOVAL

I - REMOVAL PREPARATION OPERATION

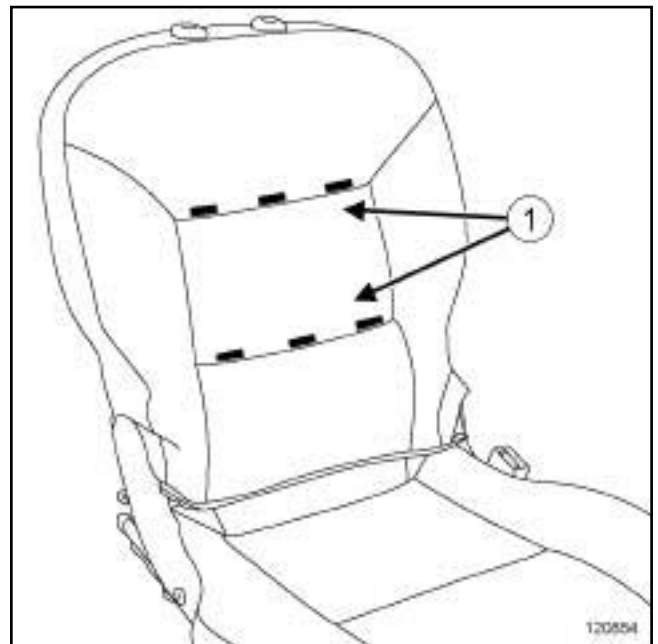
- Remove the complete rear seat (see **76A, Rear seat frames and mechanisms, Complete rear seat: Removal - Refitting**, page **76A-1**).

II - OPERATION FOR REMOVAL OF PART CONCERNED



120853

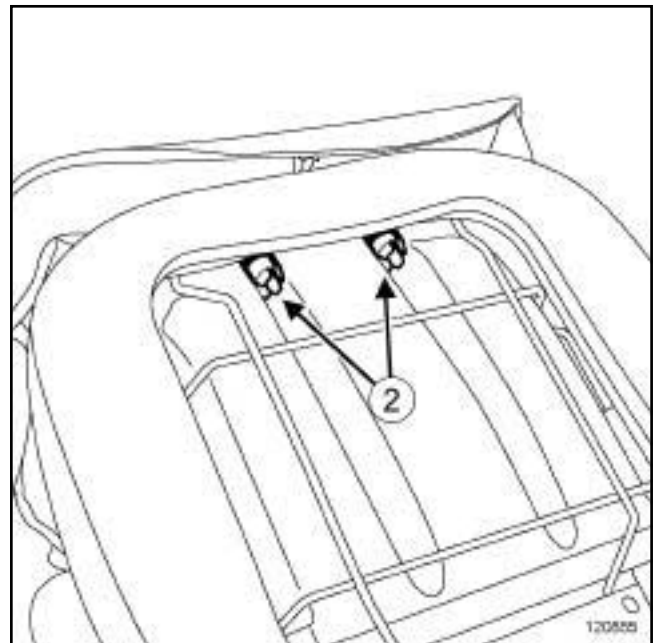
- Undo the backrest zip fastener.



120854

120854

- Partially remove the seatback cover.
- Cut the clips (1) using a cutting tool.



120855

120855

- Unclip the headrest guides (2).
- Remove:
 - the seatback cover,
 - the seatback foam.

REAR SEAT TRIM

Rear seatback trim: Removal - Refitting

78A

REFITTING

I - REFITTING OPERATION FOR PART CONCERNED

- Refit:
 - the seatback foam,
 - the seatback cover partially.
- Clip on the headrest guides **(2)**.
- Fit the clips **(1)** (available from the **Spare Parts Department**) using the **(Car. 1521)**.
- Close the backrest zip fastener using the **(Car. 1558)**.

II - FINAL OPERATION.

- Refit the complete rear seat (see **76A, Rear seat frames and mechanisms, Complete rear seat: Removal - Refitting**, page **76A-1**).

REAR SEAT TRIM

Single unit rear bench seatback trim: Removal - Refitting

78A

Special tooling required

Car. 1521

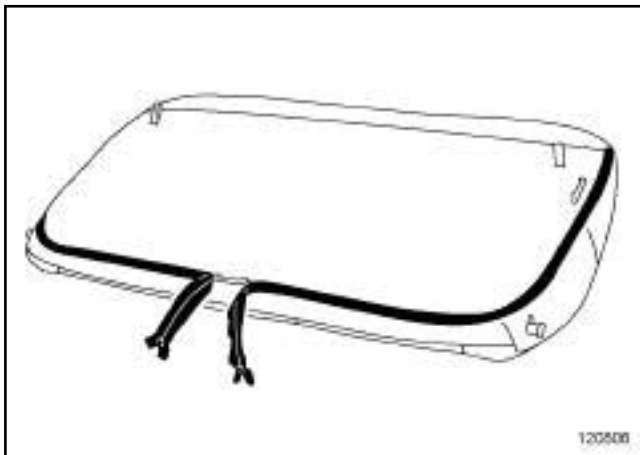
Clip crimping pliers.

REMOVAL

I - REMOVAL PREPARATION OPERATION

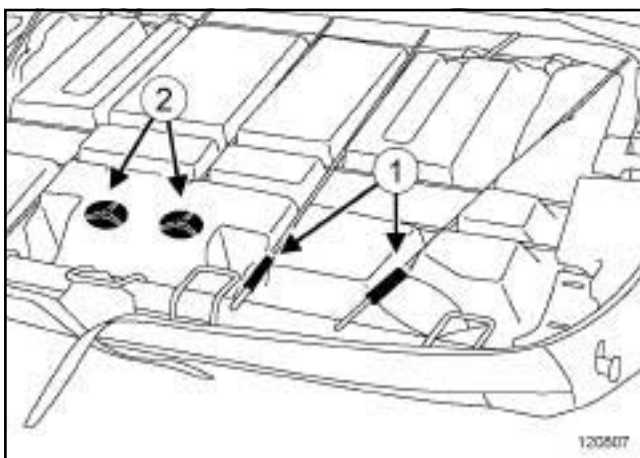
- ❑ Remove the rear bench seatback (see **76A, Rear seat frames and mechanisms, Rear bench seatback: Removal - Refitting**, page **76A-5**).

II - OPERATION FOR REMOVAL OF PART CONCERNED



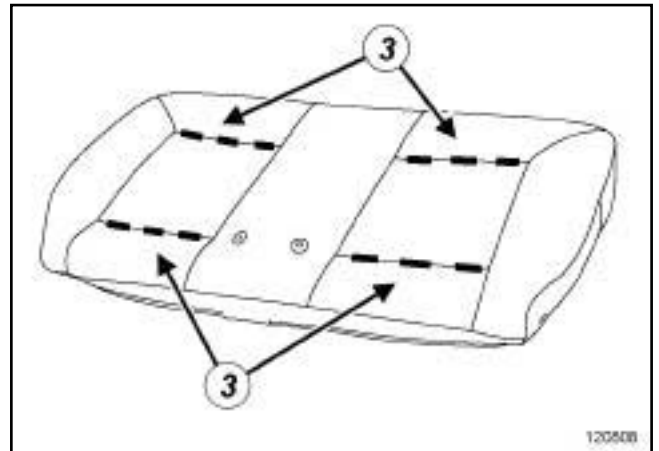
120806

- ❑ Open the zip fasteners.



120807

- ❑ Remove:
 - the retaining sections (1),
 - the clips (2),
 - the « cover - foam » assembly.



120808

- ❑ Cut the clips (3) using a cutting tool.
- ❑ Remove the cover from the foam.

REFITTING

I - REFITTING OPERATION FOR PART CONCERNED

- ❑ Refit the cover on the foam.
- ❑ Fit the clips (3) (available from the **Spare Parts Department**) using the **(Car. 1521)**.
- ❑ Refit:
 - the « cover - foam » assembly onto the rear bench seatback frame,
 - the clips (2),
 - the retaining strips (1).
- ❑ Close the zip fasteners.

II - FINAL OPERATION.

- ❑ Refit the rear bench seatback (see **76A, Rear seat frames and mechanisms, Rear bench seatback: Removal - Refitting**, page **76A-5**).

REAR SEAT TRIM

Single unit rear bench seat base trim: Removal - Refitting

78A

Special tooling required

Car. 1521

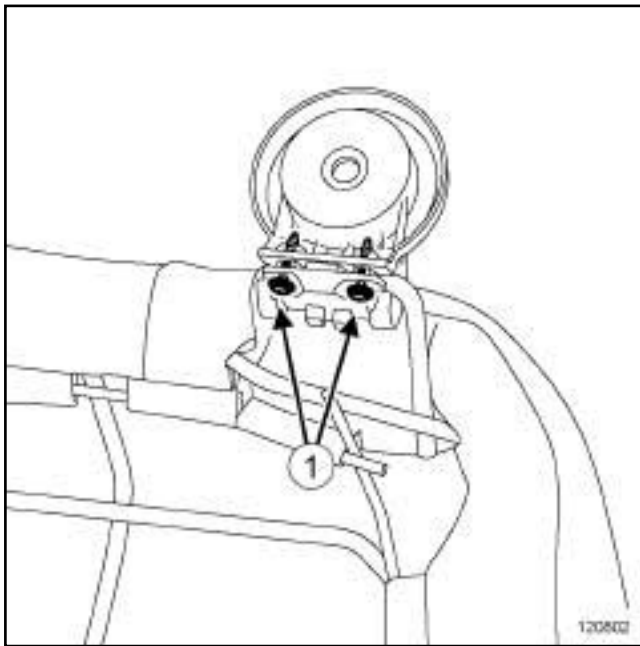
Clip crimping pliers.

REMOVAL

I - REMOVAL PREPARATION OPERATION

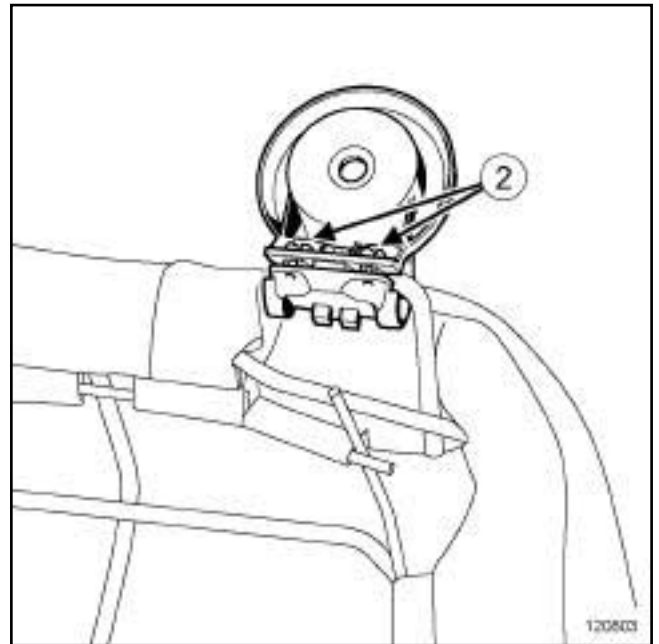
- ❑ Remove the rear bench seat base (see **76A, Rear seat frames and mechanisms, Rear bench seat base: Removal - Refitting**, page 76A-6) .

II - OPERATION FOR REMOVAL OF PART CONCERNED



120802

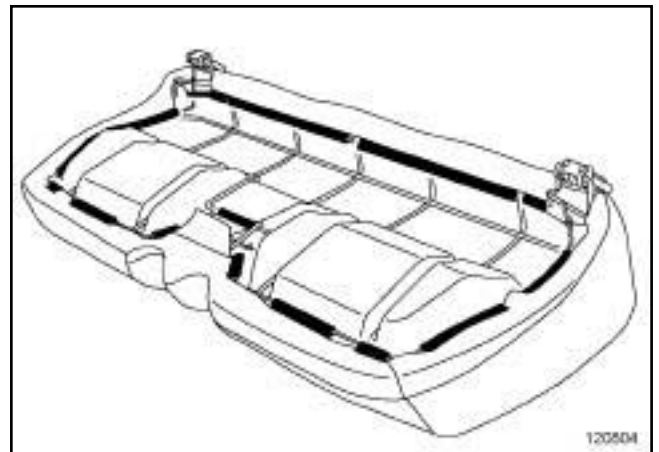
- ❑ Remove the bolts (1) .



120803

120803

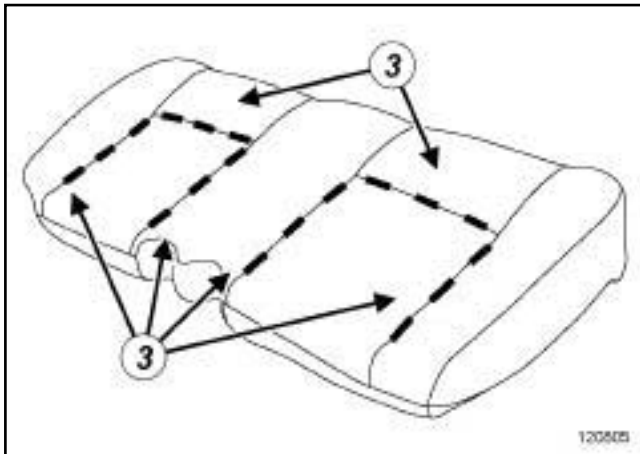
- ❑ Unclip the rear bench seat base trim at (2) .
- ❑ Remove the rear bench seat base trim.



120804

120804

- ❑ Remove:
 - the rear bench seat base trim retaining sections,
 - the « cover - foam » assembly.



120805

- Cut the clips (3) using a cutting tool.
- Remove the cover from the foam.

REFITTING

I - REFITTING OPERATION FOR PART CONCERNED

- Refit the cover on the foam.
- Fit the clips (3) (available from the **Spare Parts Department**) using the (Car. 1521).
- Refit:
 - the « cover - foam » assembly onto the rear bench seat base frame,
 - the rear bench seat base trim retaining sections,
 - the rear bench seat base trim.
- Clip on the rear bench seat base trim at (2).
- Refit the bolts (1).

II - FINAL OPERATION.

- Refit the rear bench seat base (see 76A, **Rear seat frames and mechanisms, Rear bench seat base: Removal - Refitting**, page 76A-6).

Heated seat pad: Removal - Refitting

FRONT SEAT WITH HEATING

Equipment required

Diagnostic tool

IMPORTANT

To avoid any risk of triggering when working on or near a pyrotechnic component (airbags or pretensioners), lock the airbag computer using the diagnostic tool.

When this function is activated, all the trigger lines are inhibited and the airbag warning light on the instrument panel lights up continuously (ignition on).

IMPORTANT

Never handle the pyrotechnic systems (pretensioners or airbags) near to a source of heat or naked flame - they may be triggered.

REMOVAL**I - REMOVAL PREPARATION OPERATION**

- Position the vehicle on a two-post lift (see **Vehicle: Towing and lifting**) (02A, Lifting equipment).
- Lock the airbag computer using the **Diagnostic tool** (see **Fault finding - Replacement of components**) (88C, Airbags and pretensioners).
- Disconnect the battery (see **Battery: Removal - Refitting**) (80A, Battery).
- Remove:
 - the complete front seat (see **75A, Front seat frames and mechanisms, Complete front seat: Removal - Refitting**, page **75A-8**),
 - the front seat base trim (see **77A, Front seat trim, Front seat base trim: Removal - Refitting**, page **77A-1**),
 - the front seatback trim (see **77A, Front seat trim, Front seatback trim: Removal - Refitting**, page **77A-4**).

II - OPERATION FOR REMOVAL OF PART CONCERNED**Front seatback**

131163

Front seat base

131164

- Detach the heated pad.

WARNING

To avoid any damage to the foam, detach the heated pad carefully.

Heated seat pad: Removal - Refitting

FRONT SEAT WITH HEATING

REFITTING

I - REFITTING PREPARATION OPERATION

Note:

Check the condition of the seat base and seat-back foam pads and replace them if necessary.

II - REFITTING OPERATION FOR PART CONCERNED

- Remove the protective backing from the adhesive of the heated pad.
- Bond the heated pad.
- Refit:
 - the front seat frame,
 - the « foam - heated pad » assembly of the seat base and seatback.
- Connect the connectors:
 - of the heated pad,
 - of the heated seat switch.
- Connect the battery (see **Battery: Removal - Refitting**) (80A, Battery).
- Carry out a function test.
- Disconnect the battery (see **Battery: Removal - Refitting**) (80A, Battery).
- Disconnect the following connectors :
 - of the heated seat switch,
 - of the heated pad.
- Remove:
 - the « foam - heated pad » assembly of the seat base and seatback,
 - the front seat frame.

III - FINAL OPERATION.

- Refit:
 - the front seatback trim (see **77A, Front seat trim, Front seatback trim: Removal - Refitting**, page **77A-4**),
 - the front seat base trim (see **77A, Front seat trim, Front seat base trim: Removal - Refitting**, page **77A-1**),
 - the entire front seat (see **75A, Front seat frames and mechanisms, Complete front seat: Removal - Refitting**, page **75A-8**).
- Connect the battery (see **Battery: Removal - Refitting**) (80A, Battery).
- Unlock the airbag computer using the **Diagnostic tool** (see **Fault finding - Replacement of components**) (88C, Airbags and pretensioners).