



Philips Domestic Appliances and Personal Care

Service Manual

PRODUCT INFORMATION

- The Foodprocessor is equipped with mechanical and thermal safety switches.

Materials used:

- Food processor bowl and lid, : SAN
blender jar & safety lid
- Pushers, blender lid, inlay : PP
bowl handle, juice extractor
housing, storage system
- Housing, Screw cap : Stainless steel, PP
- Safety lever blender jar : PC
- Feeding tray, sausage horn : ABS
- Kneading accessory : PP / 30% chalk,
stainless steel
- Toolholder bowl, : POM
sausage separator
- Balloon beater : POM, Alu, stainless steel
- Grip blender jar : ABS
- Food processor knives : Stainless steel / PP
- Food processor discs : Stainless steel / POM
- Cutter, grinding discs : Metal
- Meat mincer processing tube, : Alu - alloy
worm shaft
- Fruit filter : PP, stainless steel (mesh)
- Juicer sieve : PA, 30% glass fibre,
stainless steel
- Foil on panel buttons : Silicone rubber

Colours:

- White with vapor dusk grey accents, orange LED lightings, clear transparent bowl & jar, brushed stainless steel screwcap and control panel.

TECHNICAL INFORMATION

- Motor : universal, radio / TV interference suppressed
- Power consumption : 800 Watt max.
- Voltage & frequency : 230 V, 50 Hz
- Cordset : 100 cm, double insulated with moulded on plug
- Speed setting : Smart Process Control
- Bowl capacity : 2.5 L dry ingredients, 1.7 L liquids
- Blender capacity : total jar capacity 2.0 L,
1.5 L effective
- Speeds unloaded : blender drive shaft 19500 rpm (max)
accessories drive shaft from 660 rpm
to 2150 rpm, depends on application
- Weight in fancy box : 9.2 kg
- Dimensions : 546 x 380 x 390 (mm)
fancy box (l x w x h)

Safety:

- Automatically resettable : protects motor against thermal cut out
overheating
- Built – in safety lock : detects wheter lid & bowl are assembled
- Motor brake system : stops the appliance within 1.5 seconds
- This product meets the requirements regarding interference suppression on radio and TV.
- After the product has been repaired, it should function properly and has to meet the safety requirements as officially laid down at this moment.

DISASSEMBLY- AND RE-ASSEMBLY ADVISE

- The blender coupling on the motor shaft has been provided with a customary left-handed thread.
The drive coupling (item 10) can be detached by means of a hammer and a screwdriver. Strike the screwdriver with a short sharp blow and remove the drive coupling, or block the acc. drive wheel (item 17) and thereby the rotor shaft, by sticking a pin through the hole (5 mm dia. – marked with an arrow) in the bottom plate.
- The assembly of the accessories depends on the national version.

REPAIR INSTRUCTIONS

- For specific versions, the component configuration may differ from the one shown on the exploded view. However, the actual components can be distinguished by their code numbers.
- Make sure that all functions, including the safety devices, are working correctly after you have completed the repair.

Automatic resettable cut-out (part of item 11)

To prevent damage due to overheating, the appliance has been equipped with an automatic cut-out system. This system will automatically cut off the power supply when the appliance overheats.

If the appliance suddenly stops running:

- Unplug the appliance
- Switch off the appliance
- Let the appliance cool down for 15 minutes
- Plug the appliance in again
- Switch the appliance on again

Safety lock (item 7)

Place the lid on the bowl in the right position. The appliance will only function if the line on the appliance is directly opposite the mark on the lid of the food processor bowl and the same holds for the other accessories. The built-in safety lock will now be deblocked and you can turn the appliance on. Note that if both the blender jar and the bowl have been correctly mounted, only the blender will function.

Important:

If the appliance is used without the blender jar, the appliance will not function, when the blender coupling (item 10) has not been protected by the blender cover (item 1).

Note:

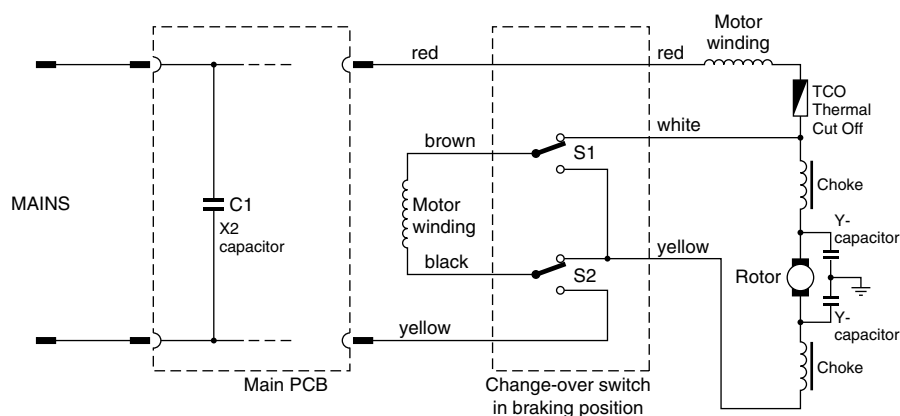
The blender cover can only be removed, when the bowl including the bowl lid is not mounted on the foodprocessor.

How to set the belt tension:

- Step 1: Give 30 N pretension force on the adjusting plate to minimise the distances between the belt and the belt wheels
- Step 2: Reduce the tension force from 30 N down to 10 N which is the required belt drive force for the appliance.
- Step 3: Fix the adjusting screw on the adjusting plate when the tension force reaches the value of 10 N (after coming down from 30 N!)

OPTIONAL (accessories)

- No specific issues



Pos	Service code	Description
1	4203 065 65810	Blender cap
2	4203 065 63620	Screw cap
3	4203 065 65820	Top housing Assy
5	4203 065 65830	Main - PCB
6	4203 065 63490	Housing parts
7	4203 065 63580	Safety switch lever
8	4203 065 63510	PCB brake
9	4203 065 66200	Motor / Coupling / Sieve - Assy
10	4203 065 65840	Blender coupling
11	4203 065 63930	Motor assy - 230 V
12	4203 065 63590	Motor coupling assy
13	4203 065 63600	Mounting plate
14	4203 065 63540	Adjusting piece
15	4203 065 60310	Motor screw
16	4203 065 60440	Tooth belt
17	4203 065 63560	Belt wheel
18	4203 065 63610	Single speed gear
19	4203 065 63980	Cordset EURO
19	4203 065 63990	Cordset UK
19	4203 065 64010	Cordset SWISS
32	4203 065 63800	Pusher closed bowl
33	4203 065 63760	Bowl lid
34	4203 065 63770	Lid bearing
35	4203 065 63780	Closed bowl
40	4203 065 61840	Potato grating disc (Reibekuchen)
41	4203 065 61960	Grating disc (fine/very fine)
42	4203 065 61970	Grating disc (coarse/medium) opt.
43	4203 065 61830	French fries
44	4203 065 63670	Adjustable slicing disc
46	4203 065 63970	Plastic kneader
47	4203 065 63690	Metal knife (incl. protecting cover)
49	4203 065 63680	Toolholder
50	4203 065 64740	Balloonbeater Gearbox
51	4203 065 64750	Balloon Beater
60	4203 065 65560	Blender Safety Lid
61	4203 065 65550	Blender Lid
62	4203 065 65850	Blender Jar

Pos	Service code	Description
70	4203 065 64160	Housing upper part
71	4203 065 64170	Housing lower part
72	4203 065 64180	Mounting plate
73	4203 065 64220	Gear assy
74	4203 065 64240	O-ring
75	4203 065 64230	Release button
76	4203 065 64190	Coupling part
77	4203 065 64210	Drive gear
78	4203 065 64200	Sealing
80	4203 065 64050	Feeding tube
81	4203 065 64060	Worm shaft assy
82	4203 065 64070	Coupling
83	4203 065 64080	Cutting blade
84	4203 065 64090	Cutting Disc (Dia. 4 mm)
85	4203 065 64100	Cutting Disc (Dia. 8 mm)
86	4203 065 64110	Screw ring
87	4203 065 64140	Sausage horn bearing
88	4203 065 64150	Sausage horn
89	4203 065 64120	Feeding tray
90	4203 065 64130	Pusher Meat Mincer
95	4203 065 65860	Pusher Juice Extractor
96	4203 065 65870	Lid
97	4203 065 65880	Sieve
98	4203 065 65890	Housing
99	4203 065 65900	Clip
100	4203 065 65910	Axle with spring
101	4203 065 65920	Hinge
102	4203 065 65930	Axle
103	4203 060 65940	Spout
104	4203 065 65970	Storage system

Attention:

In case you have an appliance with **HR7768 A** in the typeplate and one of the parts 10, 11 or 97 is defective, you have to order the complete assy Pos 9 due to incompatibility of old and new parts.

In case you have an appliance with **HR7768 B** in the typeplate and one of the parts 10, 11 or 97 is defective, they can be ordered separately.

EXPLODED VIEW

HR7768

